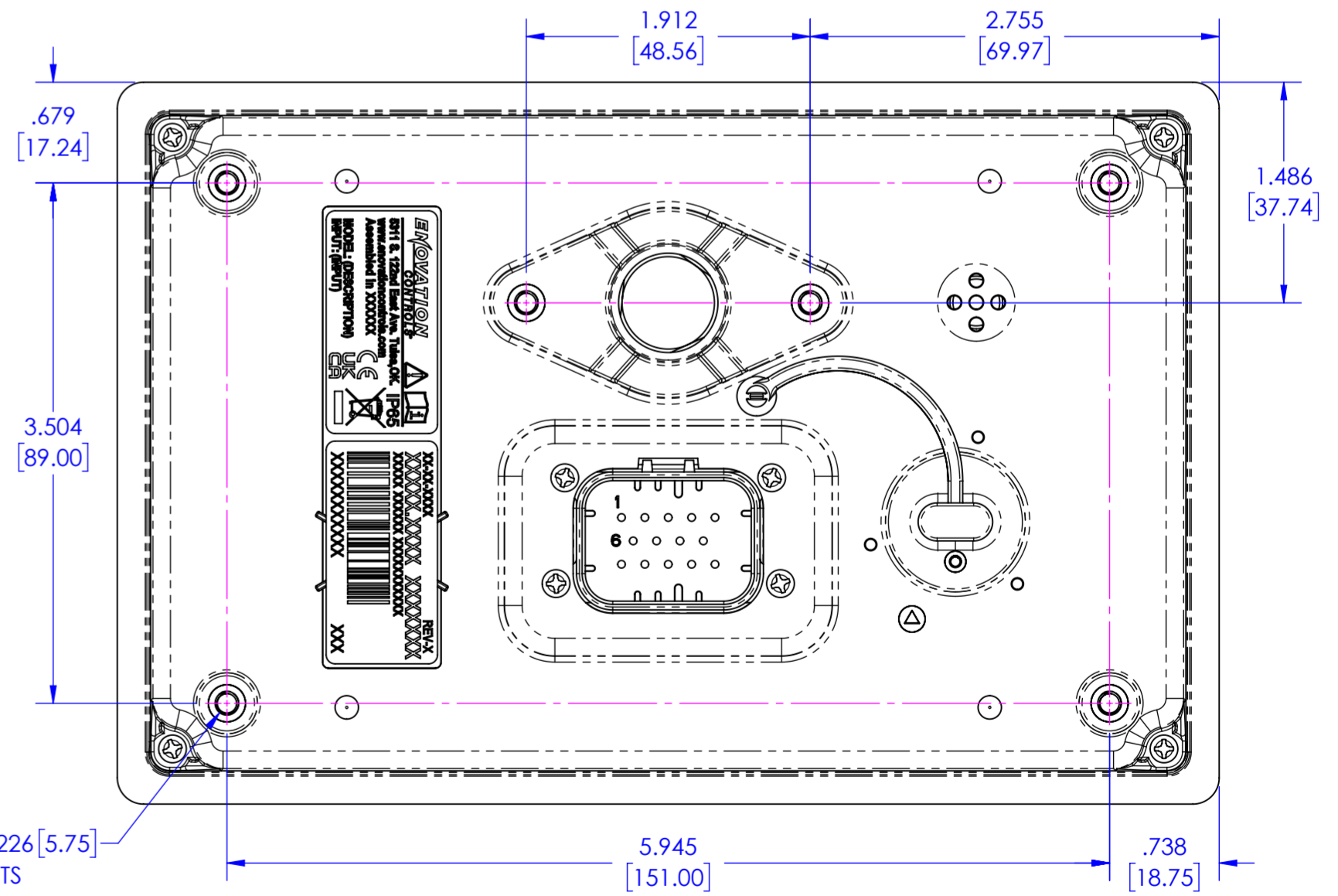
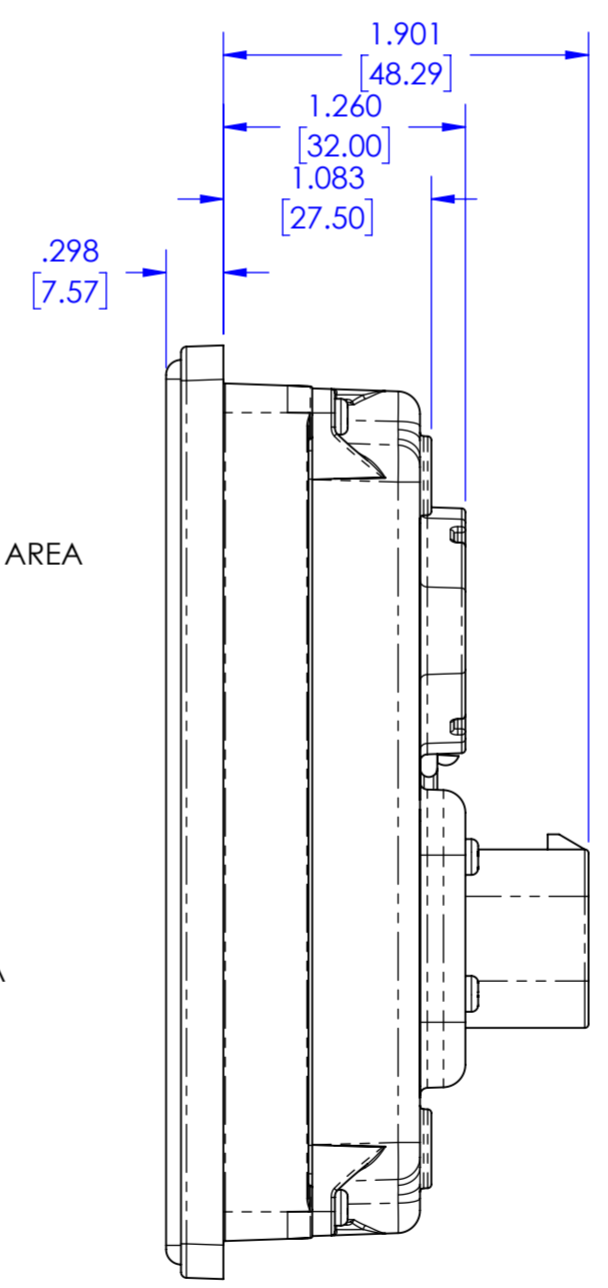
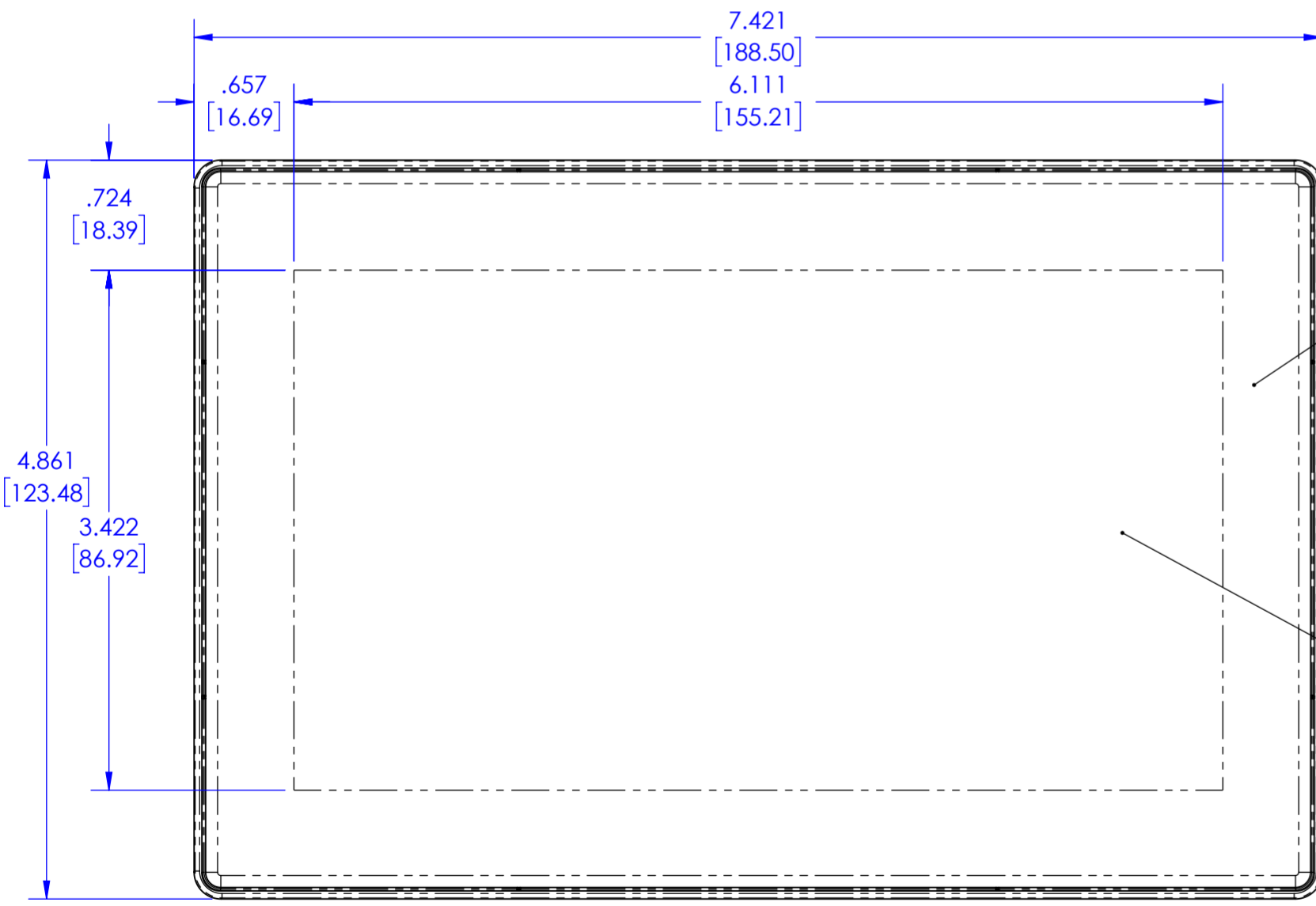
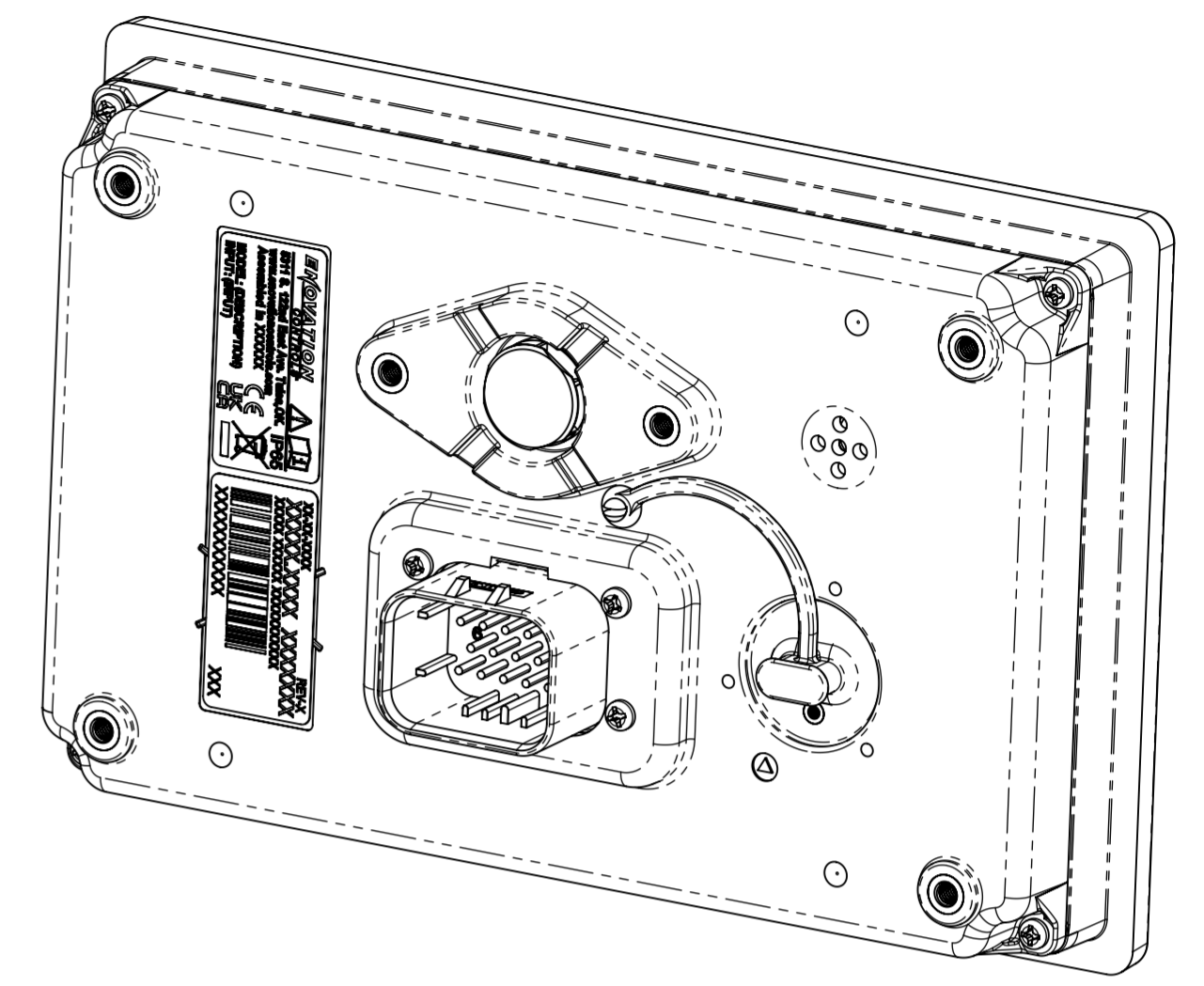
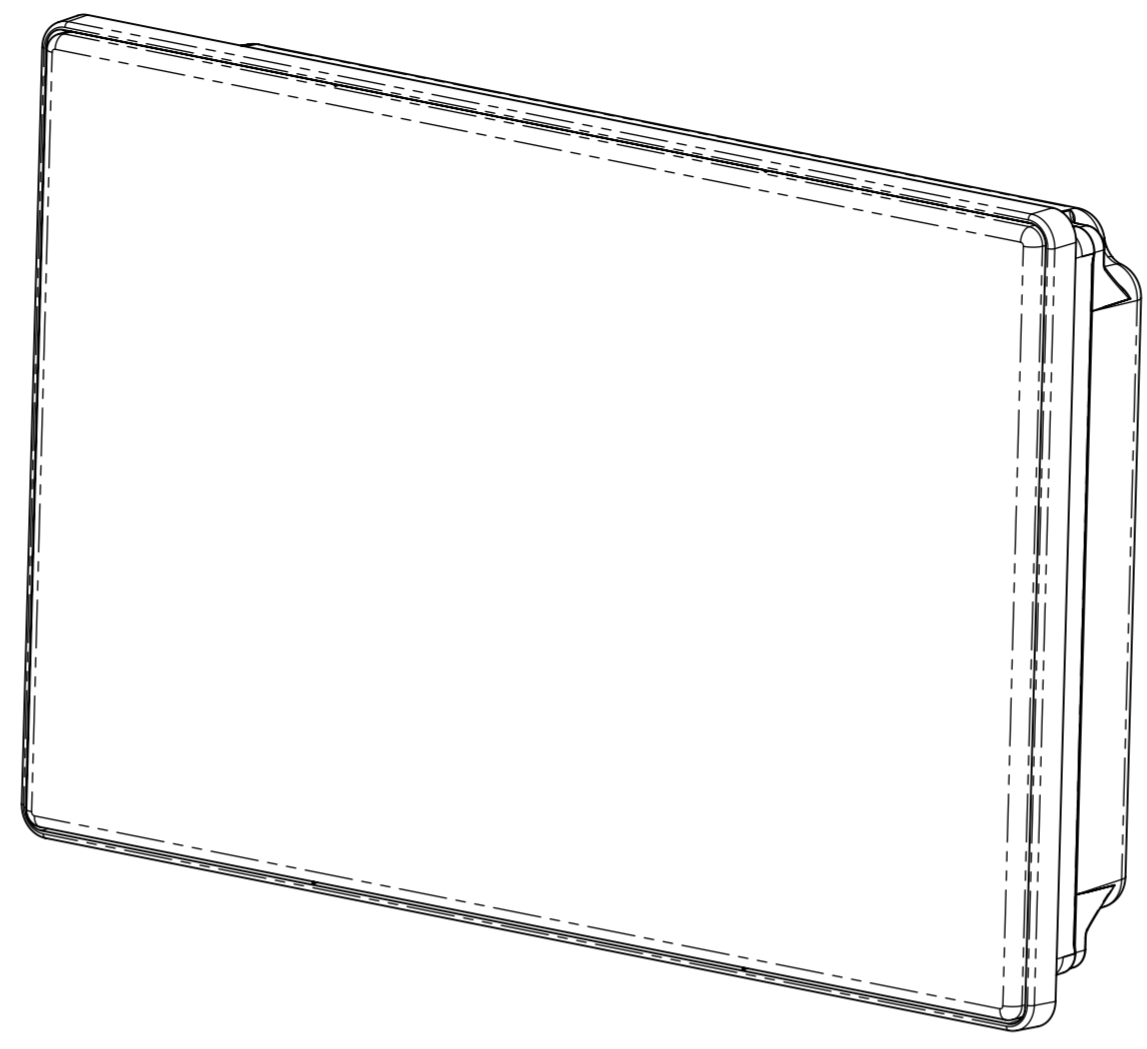
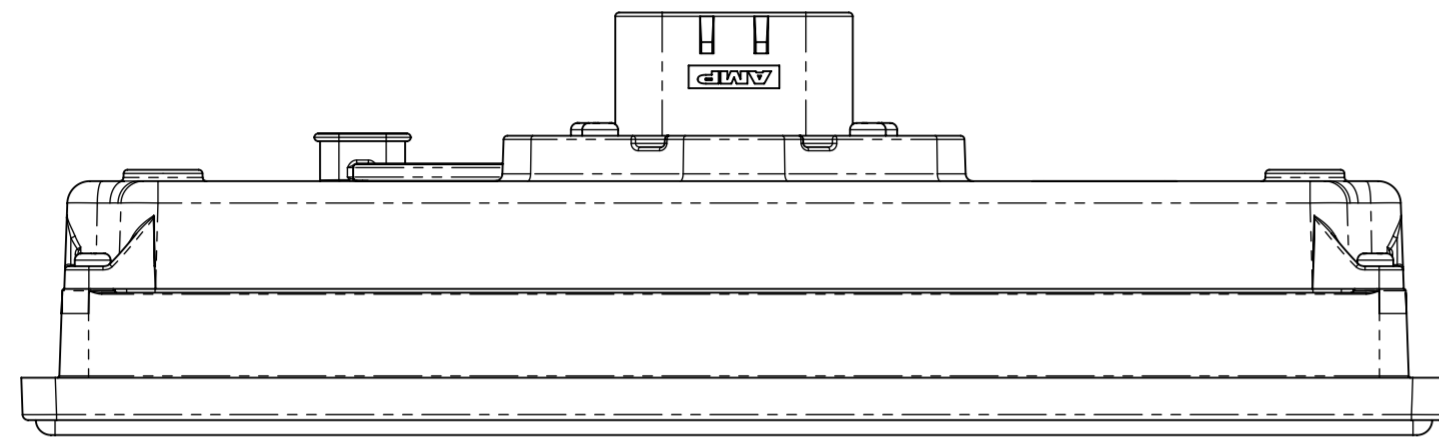


PROPRIETARY and CONFIDENTIAL This document, including the information hereon, is the property of ENOVATION CONTROLS, INC., its subsidiaries, and/or affiliates (hereinafter "ENOVATION CONTROLS"). It may be used only to purchase or supply goods and/or services relative to ENOVATION CONTROLS and must be returned upon ENOVATION CONTROLS request. It is CONFIDENTIAL and must be maintained in confidence. It may not be reproduced, copied or have other items prepared therefrom and may not be disclosed to others, in whole or in part, without ENOVATION CONTROLS prior written consent. ALL RIGHTS RESERVED.

ZONE		REV.	ECO#	DESCRIPTION	DATE [YYYY.MM.DD]	BY	APPVD
-	A-		C05804	INITIAL PRODUCTION RELEASE	2023.06.23	JP	LB
-	B-		C05882	UPDATED PICTORIAL TO SHOW NEW COMPLIANCE LABEL	2023.08.17	JP	CR
-	C		C06243	CORRECTED MATING CONNECTOR P/N 776273-1 WAS 277273-1	2024.04.05	JP	JA



6X M4X0.7 - 6H  $\nabla$  .226 [5.75] BRASS INSERTS

- NOTES:
- ALL DIMENSIONS ARE FOR REFERENCE ONLY.
  - SEE SHEET 2 FOR PRODUCTION SPECIFICATIONS.
  - SEE SHEET 3 FOR PIN-OUTS.
  - SEE SHEET 4 FOR PANEL CUTOUT DIMENSIONS.

SPECIAL CHARACTERISTICS AND SYMBOLS (SEE ENOVATION CONTROLS QUALITY MANUAL FOR MORE INFORMATION)	
◇	KEY PRODUCT CHARACTERISTIC (KPC)
□	SIGNIFICANT CHARACTERISTIC (SC)
⊗	SAFETY/COMPLIANCE CHARACTERISTIC (SCC)

DIMENSIONING AND TOLERANCING PER ASME Y14.5 - 2009 APPLY. UNLESS OTHERWISE SPECIFIED.		SHALL MEET REQUIREMENTS OF ENC 4E00711 ENVIRONMENTAL COMPLIANCE SPECIFICATION		INCH DO NOT SCALE DRAWING		<b>ENOVATION CONTROLS</b>	
Tolerances Inch: X ± .1, .XX ± .03, .XXX ± .010		Tolerances Metric: X ± .2, .XX ± .7, .XXX ± .25		PRODUCE PART FROM CAD MODEL 78020141.SLDASM			
MATERIAL: -		FINISH: -		PART NUMBER: 78020141		DRAWING NUMBER: 78020141	
				SCALE: 1:1 AND NOTED		SHEET SIZE: A2	
				SHEET: 1 OF 4		REVISION: C	

# PRODUCT SPECIFICATIONS

## COMPUTING

### PROCESSOR

2X 650Mhz Arm Cortex A7 + GPU (OS/Graphics)

### COPROCESSOR

1X 200Mhz Arm Cortex M4 (Real time control)

### STORAGE

4GB eMMC flash for operating systems and applications

### RAM

512MB, 16 Bit

### GRAPHICS

Integrated graphics processor

## ELECTRICAL/ENVIRONMENTAL

### OPERATING VOLTAGE

6-36 VDC, Reverse polarity protected

### OPERATING TEMPERATURE

-4°F to 158°F [-20°C to 70°C]

### STORAGE TEMPERATURE

-22°F to 158°F [-30°C to 70°C]

### PROTECTION

IP65

### VIBRATION

IEC 60068-2-64

### SHOCK

IEC 60068-2-27

### EMC/EMI

ISO 14982:2009, ISO 13766:2018

## INTERFACES

### CAN

1 CAN

### SERIAL

USB-C, RS-485

### WIFI

802.11 b/g/n

### BLUETOOTH

Bluetooth V4.2 + EDR BR/EDR and Bluetooth LE specification

### INPUTS

2X Resistive (0-5V), 2X Dig/Ana (0-36V)

### OUTPUTS

2X 500 mA Low-side

### USB

USB Type-C with Locking Connector

## DISPLAY/HMI

### SCREEN

7-inch, RGB IPS LCD W/ LED Backlight 24bit color

### RESOLUTION

1024 X 600

### CONTRAST RATIO/BRIGHTNESS

800:1, 720 cdm<sup>2</sup>

### TOUCH PANEL

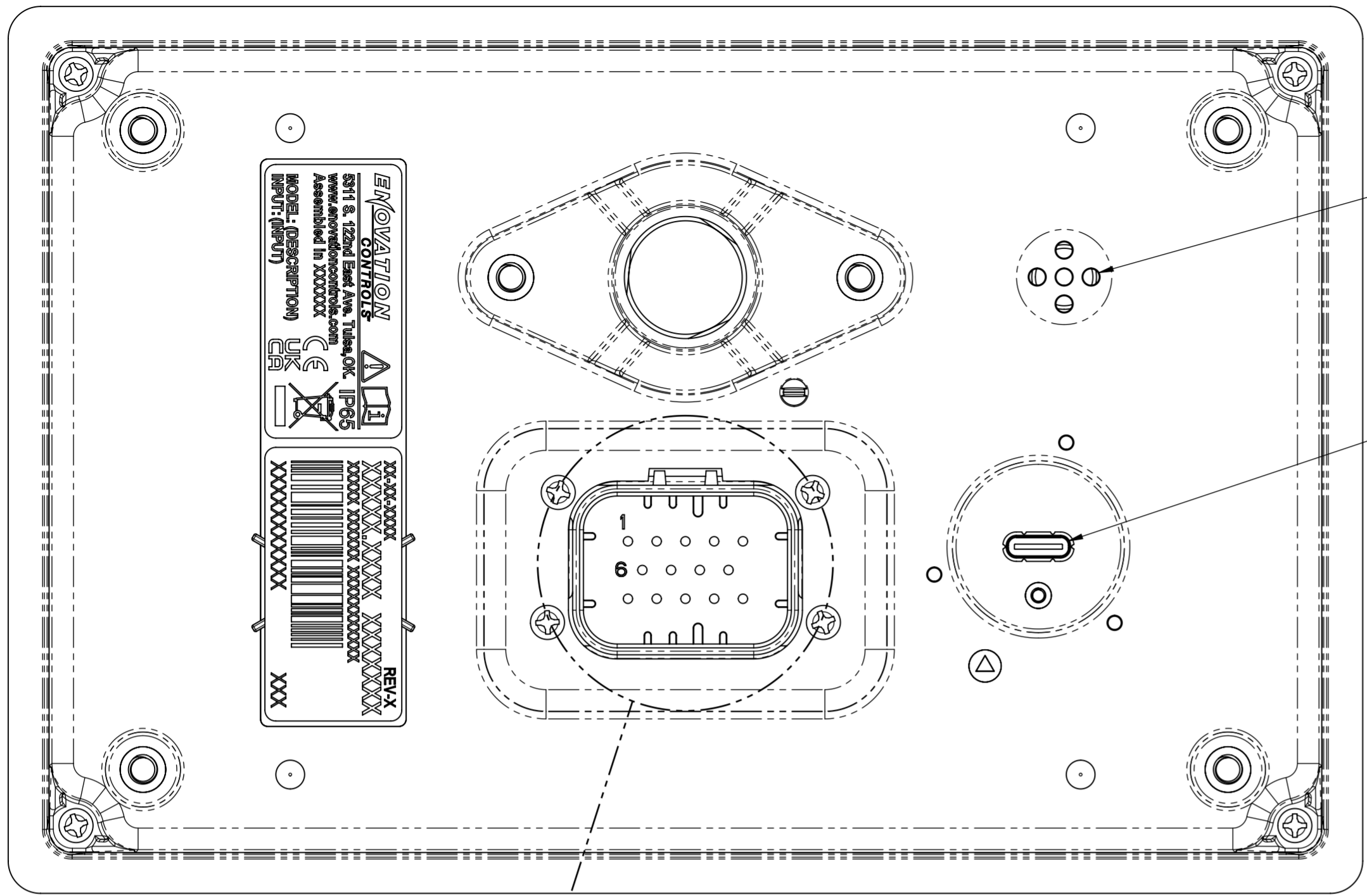
Projected capacitive (PCAP) with glove touch

### BUZZER

For alarms and notifications. 80dB, Adjustable frequency

DESCRIPTION			
TECHNICAL DRAWING, OV-S70-TCA0-L			
PART NUMBER	DRAWING NUMBER	REVISION	
78020141	78020141	C	
CAD FILE	SCALE	SHEET SIZE	SHEET
78020141.SLDASM	1:1 AND NOTED	A2	2 OF 4

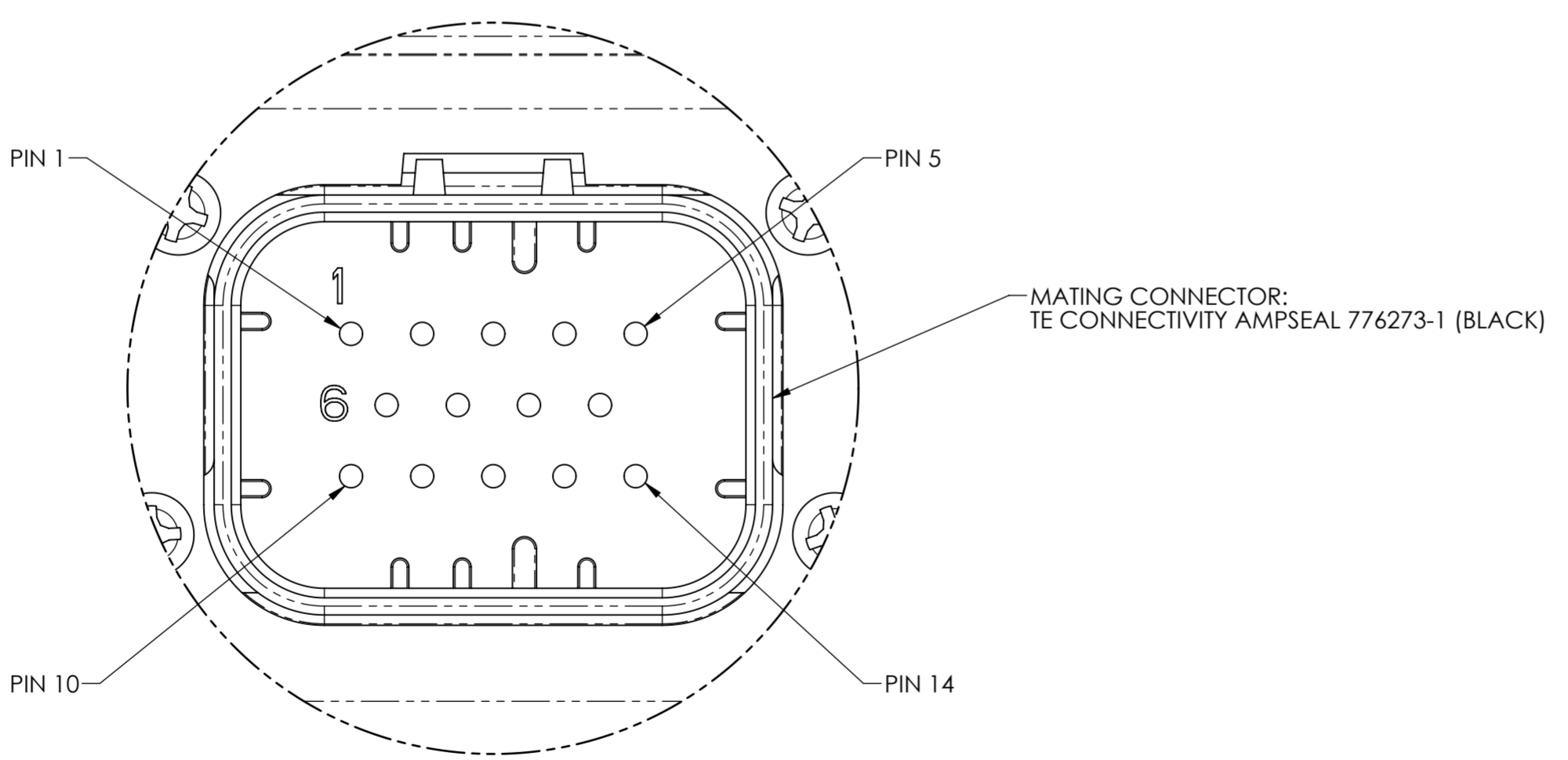
CONNECTIONS



BUZZER

USB-C CONNECTOR

A



DETAIL A  
SCALE 3 : 1

CONNECTOR PINOUT	
PIN #	FUNCTION
1	GND
2	CAN1_HI/RS485_A
3	CAN1_LO/RS485_B
4	CAN2_HI
5	DOUT2/AUD OUT R
6	VBAT
7	IGN
8	CAN2_LO
9	N.C
10	DIN1/MIC1 N
11	AIN1/MIC1 P
12	AIN2/MIC2 P
13	DIN2/MIC2 N
14	DOUT1/AUD OUT L

DESCRIPTION  
**TECHNICAL DRAWING, OV-S70-TCA0-L**

PART NUMBER <b>78020141</b>	DRAWING NUMBER <b>78020141</b>	REVISION <b>C</b>
SCALE 78020141.SLDASM	SCALE 1.5:1 AND NOTED	SHEET SIZE A2
		SHEET 3 OF 4

PANEL CUT-OUT DIMENSIONS



FULL SCALE

DESCRIPTION			
TECHNICAL DRAWING, OV-S70-TCA0-L			
PART NUMBER	78020141	DRAWING NUMBER	78020141
CAD FILE	78020141.SLDASM	SCALE	1.5:1 AND NOTED
		SHEET SIZE	A2
		SHEET	4 OF 4
		REVISION	C