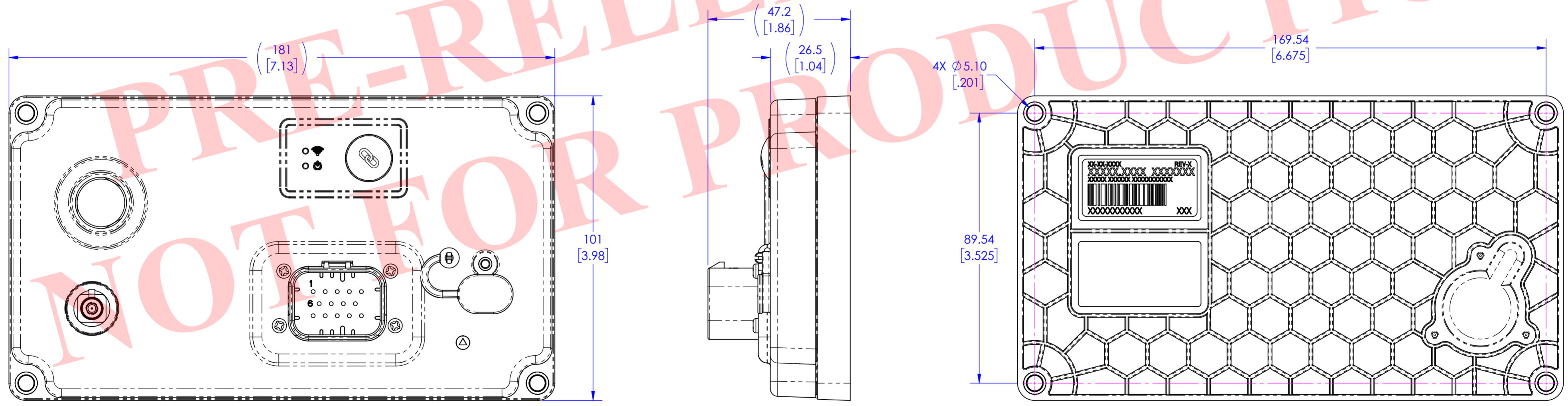
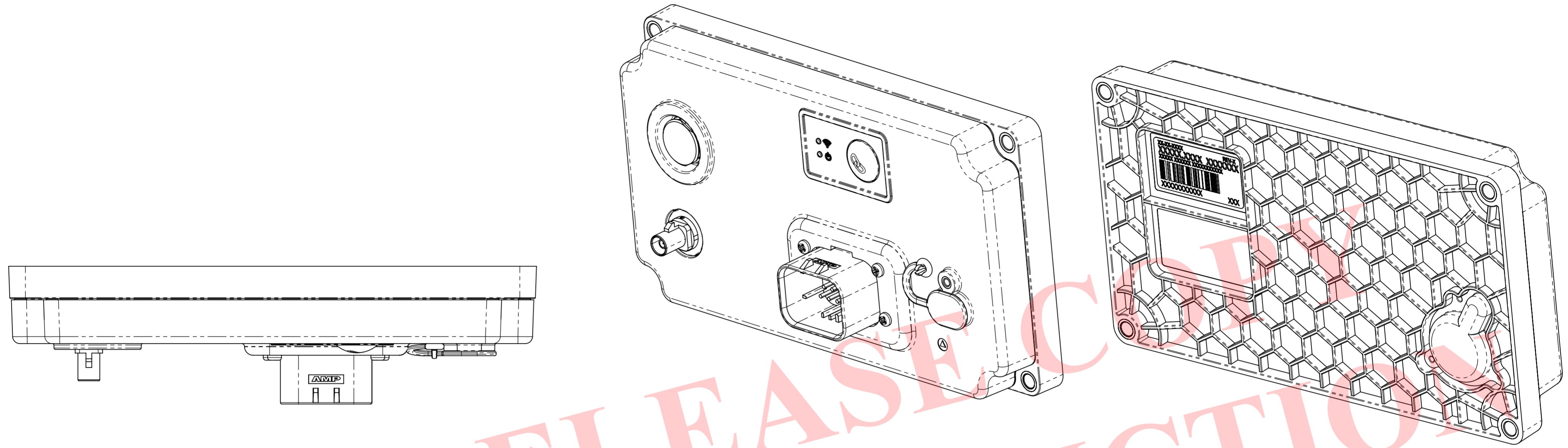


PROPRIETARY and CONFIDENTIAL This document, including the information hereon, is the property of ENOVATION CONTROLS, INC., its subsidiaries, and/or affiliates (hereinafter "ENOVATION CONTROLS"). It may be used only to purchase or supply goods and/or services relative to ENOVATION CONTROLS and must be returned upon ENOVATION CONTROLS request. It is CONFIDENTIAL and must be maintained in confidence. It may not be reproduced, copied or have other items prepared therefrom and may not be disclosed to others, in whole or in part, without ENOVATION CONTROLS prior written consent. ALL RIGHTS RESERVED.

ZONE		REV.	ECO#	DESCRIPTION	DATE [YYYY.MM.DD]	BY	APPVD
-	X1		C06551	PROTOTYPE RELEASE	2024.09.04	JP	VE
-	X2		C06864	ADDED SPECIFICATIONS (SHEET 2), UPDATED PICTORIAL	2025.03.06	JP	VE



SPECIAL CHARACTERISTICS AND SYMBOLS (SEE ENOVATION CONTROLS QUALITY MANUAL FOR MORE INFORMATION)	
◇	KEY PRODUCT CHARACTERISTIC (KPC)
◻	SIGNIFICANT CHARACTERISTIC (SC)
⊙	SAFETY/COMPLIANCE CHARACTERISTIC (SCC)

DIMENSIONING AND TOLERANCING PER ASME Y14.5 - 2009 APPLY. UNLESS OTHERWISE SPECIFIED		SHALL MEET REQUIREMENTS OF ENC 4E00711 ENVIRONMENTAL COMPLIANCE SPECIFICATION		METRIC DO NOT SCALE DRAWING		<b>ENOVATION CONTROLS</b>	
Tolerances Inch: X ± .1, XX ± .03, XXX ± .010		Tolerances Metric: X ± .2, XX ± .05, XXX ± .125		PRODUCE PART FROM CAD MODEL 53022338.SLDASM			
MATERIAL: -		FINISH: -		DESCRIPTION: SPECIFICATION DRAWING, ATLAS			
PART NUMBER: 53022338		DRAWING NUMBER: 53022338		SCALE: 1:1 AND NOTED		SHEET SIZE: A2	
CAD FILE: 53022338.SLDASM		SHEET: 1 OF 4		REVISION: X2			

## PRODUCT SPECIFICATIONS

### COMPUTING

**PROCESSOR**

2X 650Mhz Arm Cortex A7

**COPROCESSOR**

1X 200Mhz Arm Cortex M4 (Real time control)

**STORAGE**

4GB eMMC flash for operating systems and applications

**RAM**

512MB, 16 Bit

### ELECTRICAL/ENVIRONMENTAL

**OPERATING VOLTAGE**

6-36 VDC, Reverse polarity protected

**OPERATING TEMPERATURE**

-4°F to 158°F [-20°C to 70°C]

**STORAGE TEMPERATURE**

-13°F to 167°F [-25°C to 75°C]

**PROTECTION**

IP67

**VIBRATION**

ISO 16750-3-4.1.2.7

**SHOCK**

ISO 16750-3-4.2.2

**EMC/EMI**

SAE J1113, ISO 16750-2 (2012), ISO 11452, CISPR25 (2016),  
EN60945 (2002), EN61326-1 (2005), EN12895 (2015),  
EN ISO 14982 (2009), ISO 13766 (2018), 2014/53/EU

### FEATURES

**CAN**

1 CAN

**SERIAL**

USB-C, RS-485

**WIFI**

802.11 b/g/n

**BLUETOOTH**

Bluetooth V4.2 + EDR BR/EDR and Bluetooth LE specification

**INPUTS**

2X Resistive (0-5V), 2X Dig/Ana (0-36V)

**CLOCK**

Real Time Clock with rechargeable battery backup

**USB**

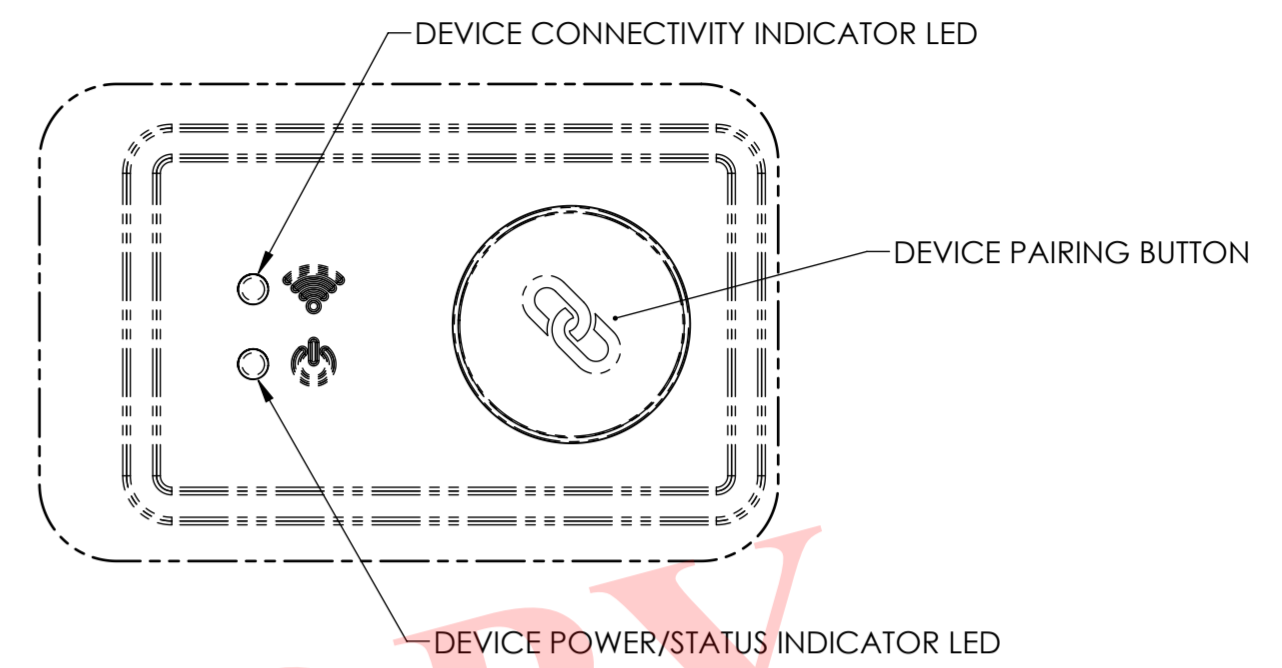
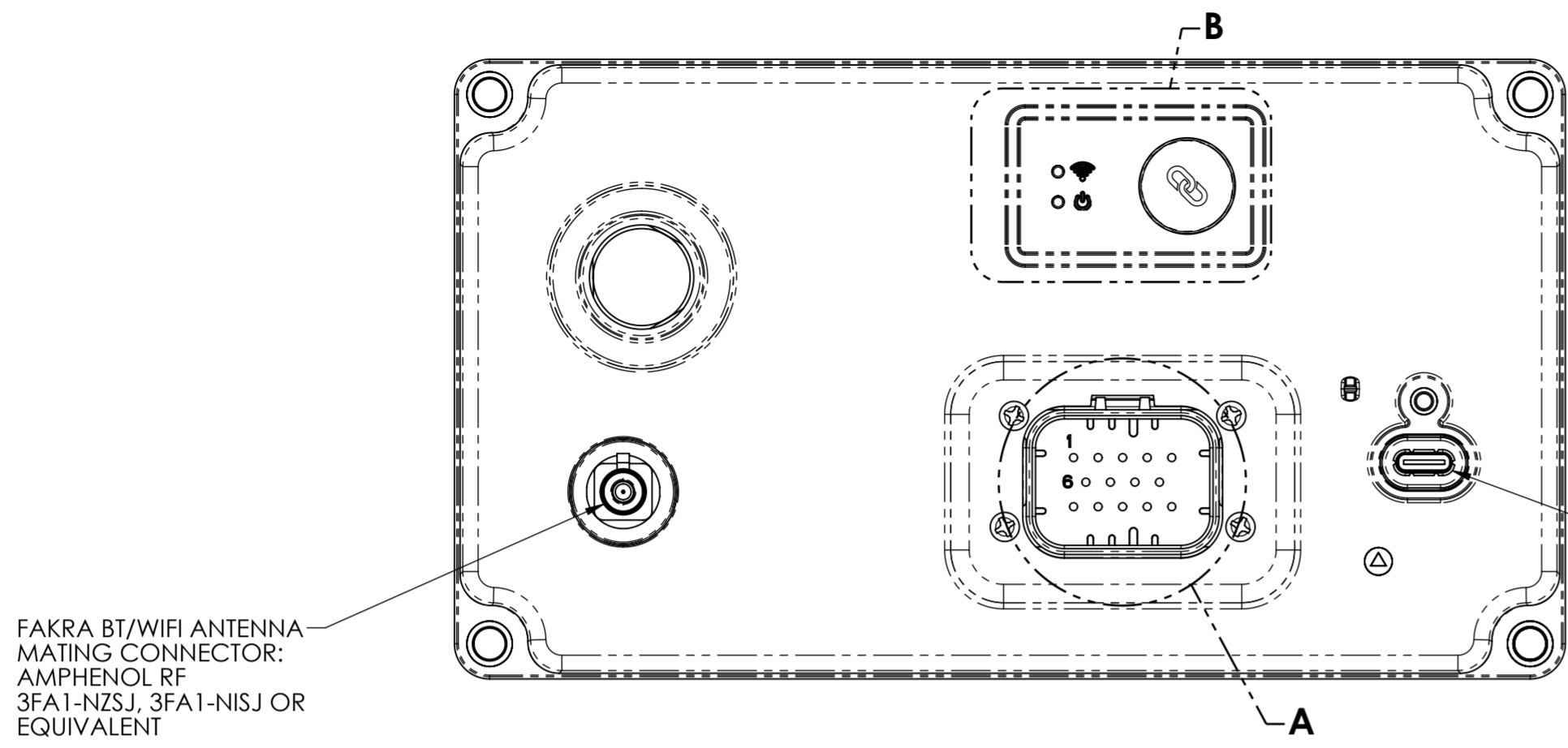
USB Type-C with Locking Connector

PRINT RELEASE COPY  
 NOT FOR PRODUCTION

DESCRIPTION  
SPECIFICATION DRAWING, ATLAS

PART NUMBER 53022338	DRAWING NUMBER 53022338	REVISION <b>X2</b>
GRID FILE 53022338.SLDASM	SCALE 1:1 AND NOTED	SHEET SIZE A2
		SHEET 2 OF 4

CONNECTOR & CONTROLS INFORMATION

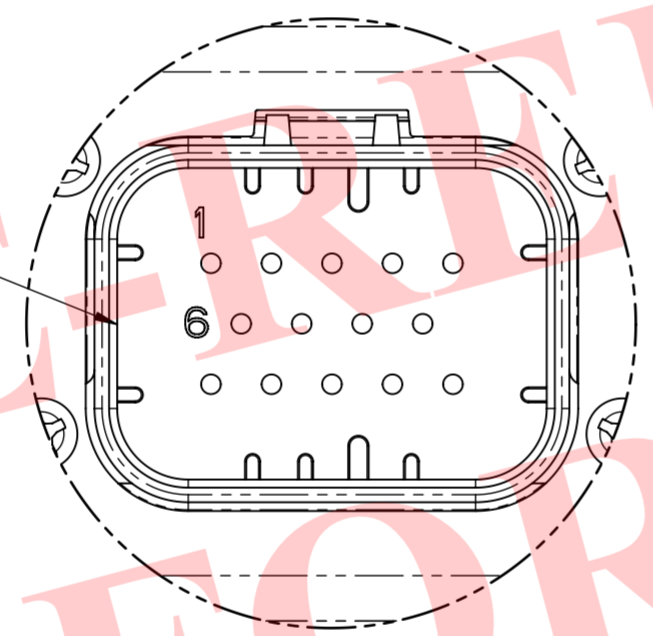


**DETAIL B  
SCALE 2 : 1**

FAKRA BT/WIFI ANTENNA  
MATING CONNECTOR:  
AMPHENOL RF  
3FA1-NZSJ, 3FA1-NISJ OR  
EQUIVALENT

USB-C CONNECTOR  
MATING CONNECTOR:  
AMPHENOL LTW  
UC20ML-NAML-QA

MATING CONNECTOR:  
TE CONNECTIVITY AMP SEAL  
776273-1 (BLACK)



**DETAIL A  
SCALE 2 : 1**

CONNECTOR PINOUT	
PIN #	FUNCTION
1	GND
2	RS485_H
3	RS485_L
4	CAN2_HI
5	DOUT2
6	VBATT
7	IGNITION
8	CAN2_LO
9	N.C
10	DIN1
11	AIN1
12	AIN2
13	DIN2
14	DOUT1

PREPARED FOR PRODUCTION  
 NOT FOR PRODUCTION

DESCRIPTION  
SPECIFICATION DRAWING, ATLAS

PART NUMBER <b>53022338</b>	DRAWING NUMBER <b>53022338</b>	REVISION <b>X2</b>
SCALE 1:1 AND NOTED	SHEET SIZE A2	SHEET 3 OF 4

MOUNTING DIMENSIONS



PRE-RELEASE COPY  
NOT FOR PRODUCTION

NOTE:  
1. RECOMMENDED MOUNTING BOLT SIZE IS M4 OR EQUIVALENT.

DESCRIPTION  
SPECIFICATION DRAWING, ATLAS

PART NUMBER	DRAWING NUMBER	REVISION
53022338	53022338	
CAD FILE 53022338.SLDASM	SCALE 1.5:1 AND NOTED	SHEET SIZE A2
		SHEET 4 OF 4

X2