

NOTES:

1. SEE 30-07-0027 FOR WIRING DIAGRAM.

THIS IS A STANDARD DRAWING. IF NON-STANDARD COMPONENTS ARE SPECIFIED, THIS DRAWING MAY NOT EXACTLY REFLECT YOUR PANEL AND A LABEL WITH A PART NUMBER FOR REORDERING THE PANEL OR ORDERING SERVICE PARTS WILL BE PLACED ABOVE SERVICE PARTS LIST. CONTACT MURPHY FOR ASSISTANCE.

3. ITEM NUMBERS REFER TO STANDARD MODEL SERVICE PARTS LIST AND BILL OF MATERIAL (NOT INCLUDED).

4. DIMENSIONS IN [] ARE MILLIMETERS.

5. S/L = NOT SHOWN AND SHIPPED LOOSE.

6. USE MODEL NO. WHEN ORDERING SERVICE PARTS.

1/2-14 NPT ADAPTER (SHIPPED LOOSE).

8. ORDER HOSE KIT SEPARATELY.



SEE NOTE 2

STANDARD MODEL SERVICE PARTS

WD300 (BOM 30-70-0013)

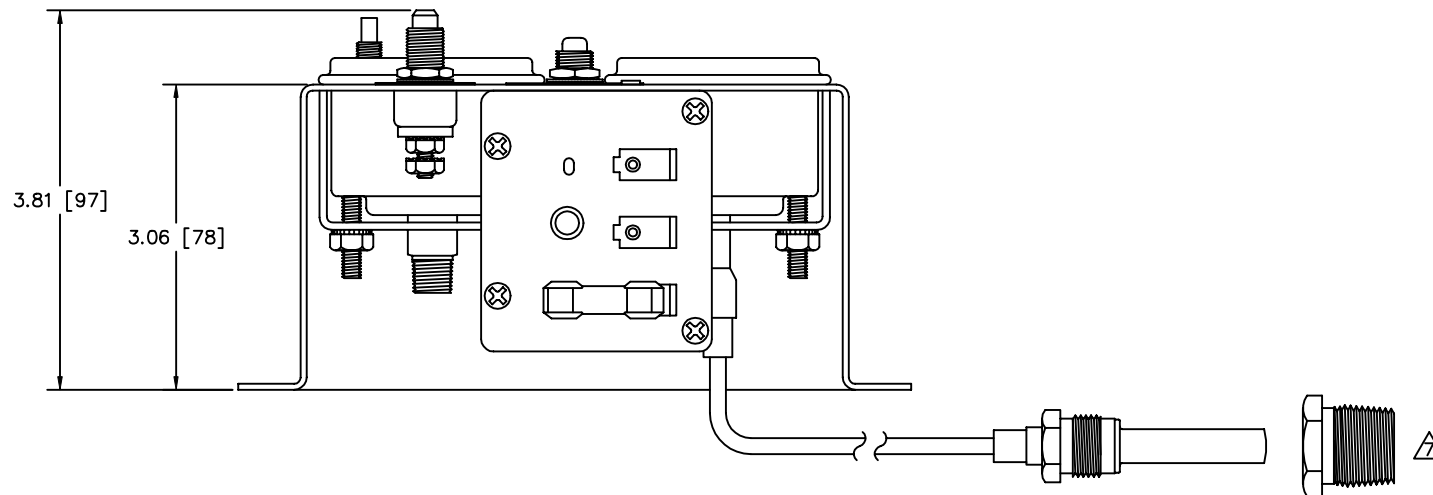
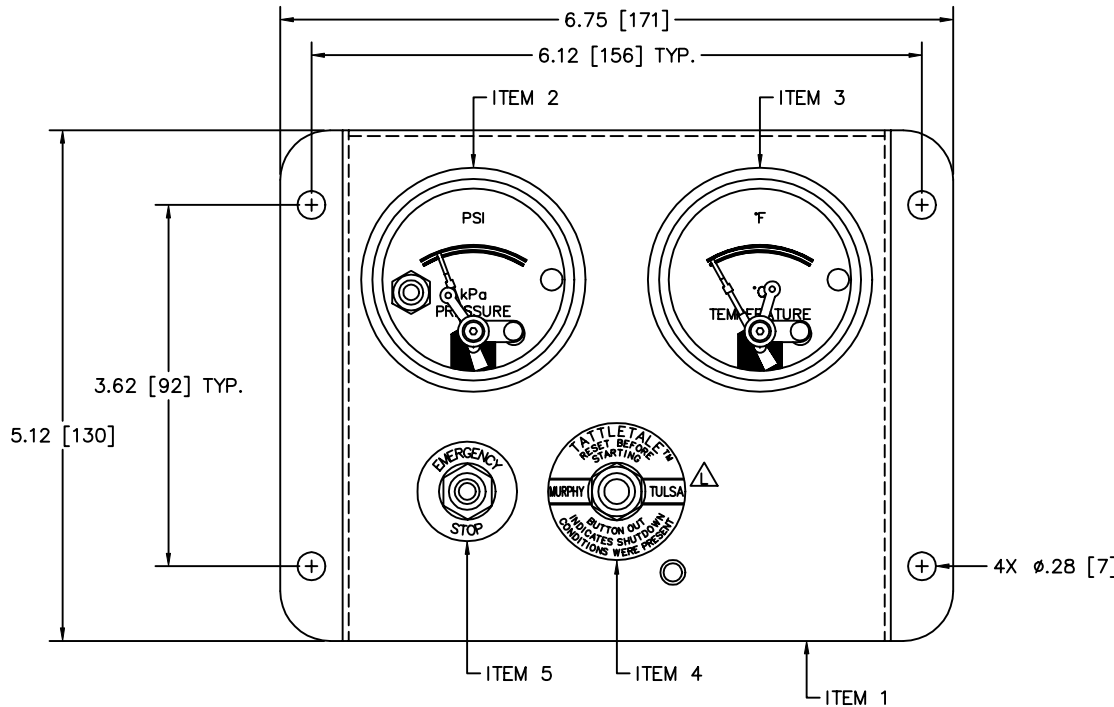
ITEM	DESCRIPTION	MODEL NO.	QTY.
2	PRESSURE SWICHGAGE®	20P7-100	1
3	TEMPERATURE SWICHGAGE®	20T-250-4-1/2	1
4	MAGNETIC SWITCH	117PH	1
5	EMERGENCY STOP BUTTON	PB128S	1
S/L	FUEL SHUTOFF VALVE	SV-12	1

WD300LV (BOM 30-70-0015)

ITEM	DESCRIPTION	MODEL NO.	QTY.
2	PRESSURE SWICHGAGE®	20P7-100	1
3	TEMPERATURE SWICHGAGE®	20T-250-4-1/2	1
4	MAGNETIC SWITCH	117PH	1
5	EMERGENCY STOP BUTTON	PB128S	1

WR275 (BOM 30-70-0016)

ITEM	DESCRIPTION	MODEL NO.	QTY.
2	PRESSURE SWICHGAGE®	20P7-100	1
3	TEMPERATURE SWICHGAGE®	20T-250-4-1/2	1
4	EMPTY HOLES	OPTIONAL MAGNETIC SWITCH	1
5	EMERGENCY STOP BUTTON	PB128S	1



L	CHANGE TO TATTLETALE NAMEPLATE AND 117 NOW 117PH		
JAD	12/7/01	ER01-1101	JAD
REV.	CHANGES MADE		
DRAWN BY: JH		E.R.NO. NONE	
DATE: 7/19/83	CHKD. BY: JH	APPD. BY: CA	
MODEL: WD300/WD300LV/WR275			
DRAWING NO. 30-02-0027		SIZE C	REV. L