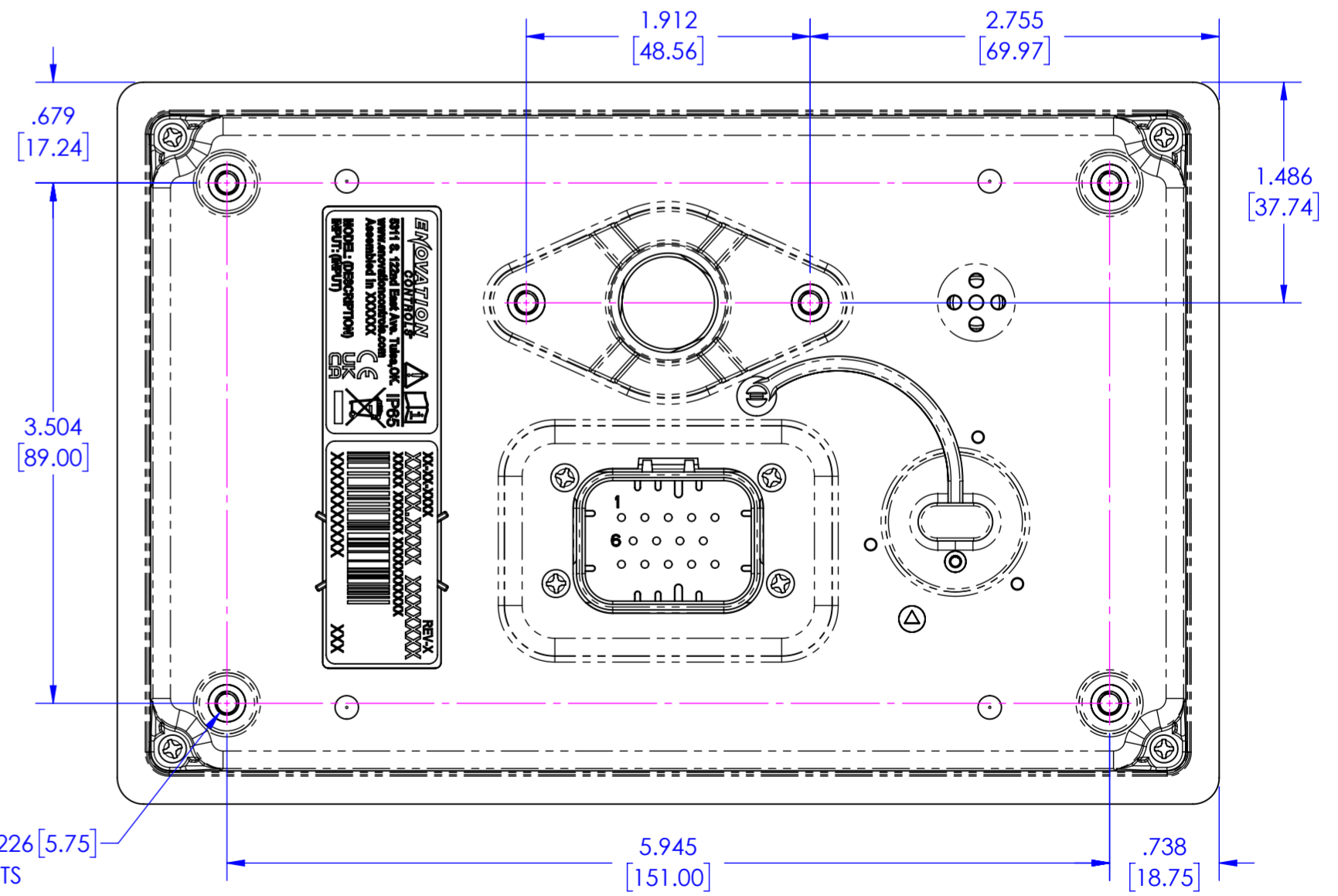
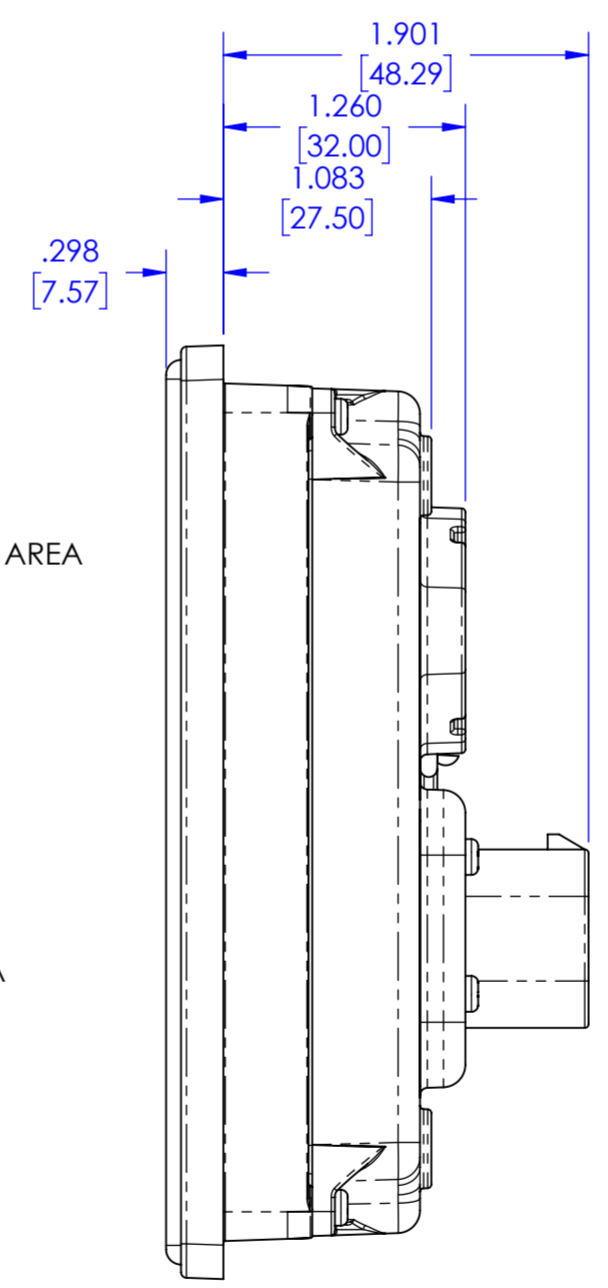
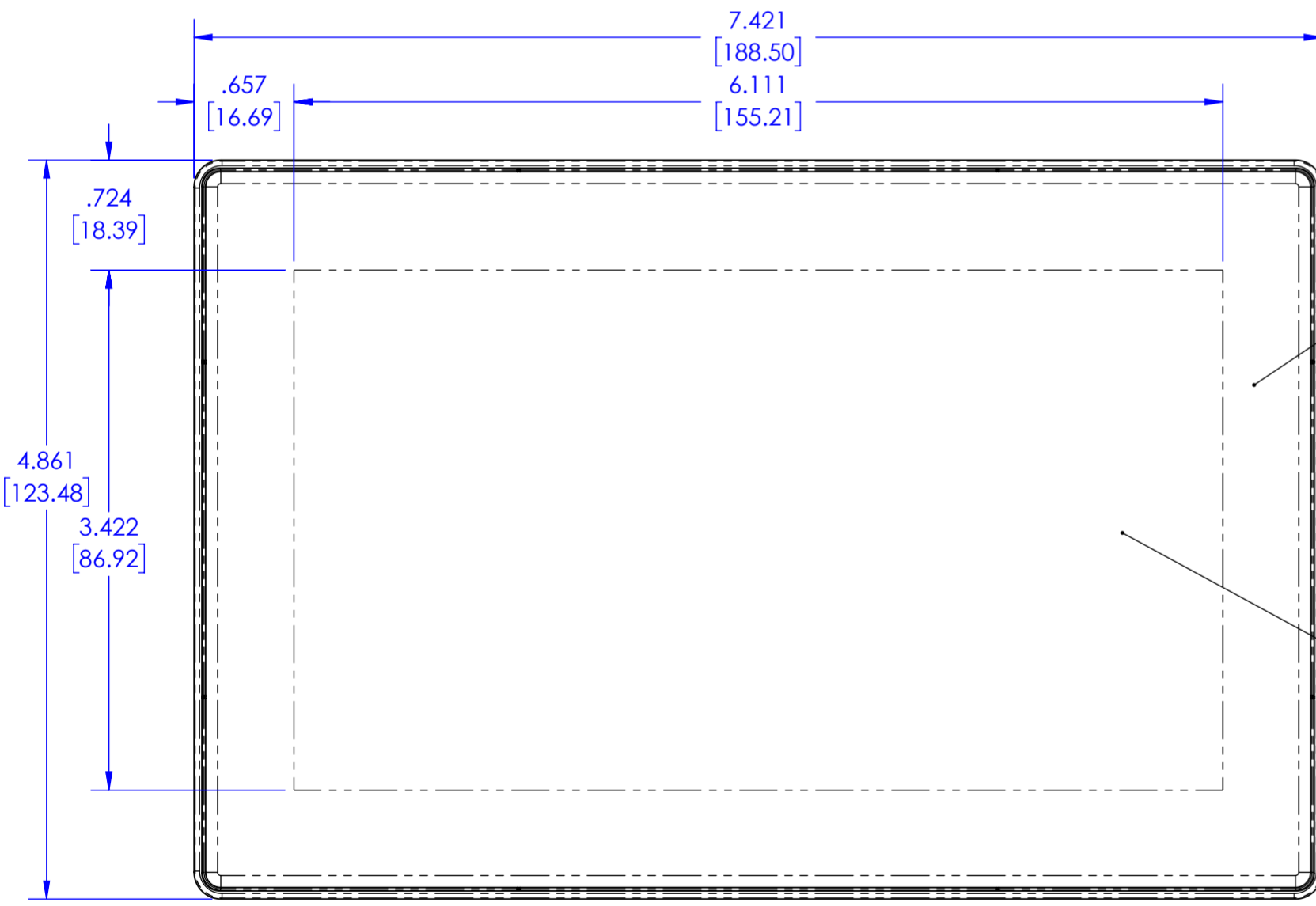
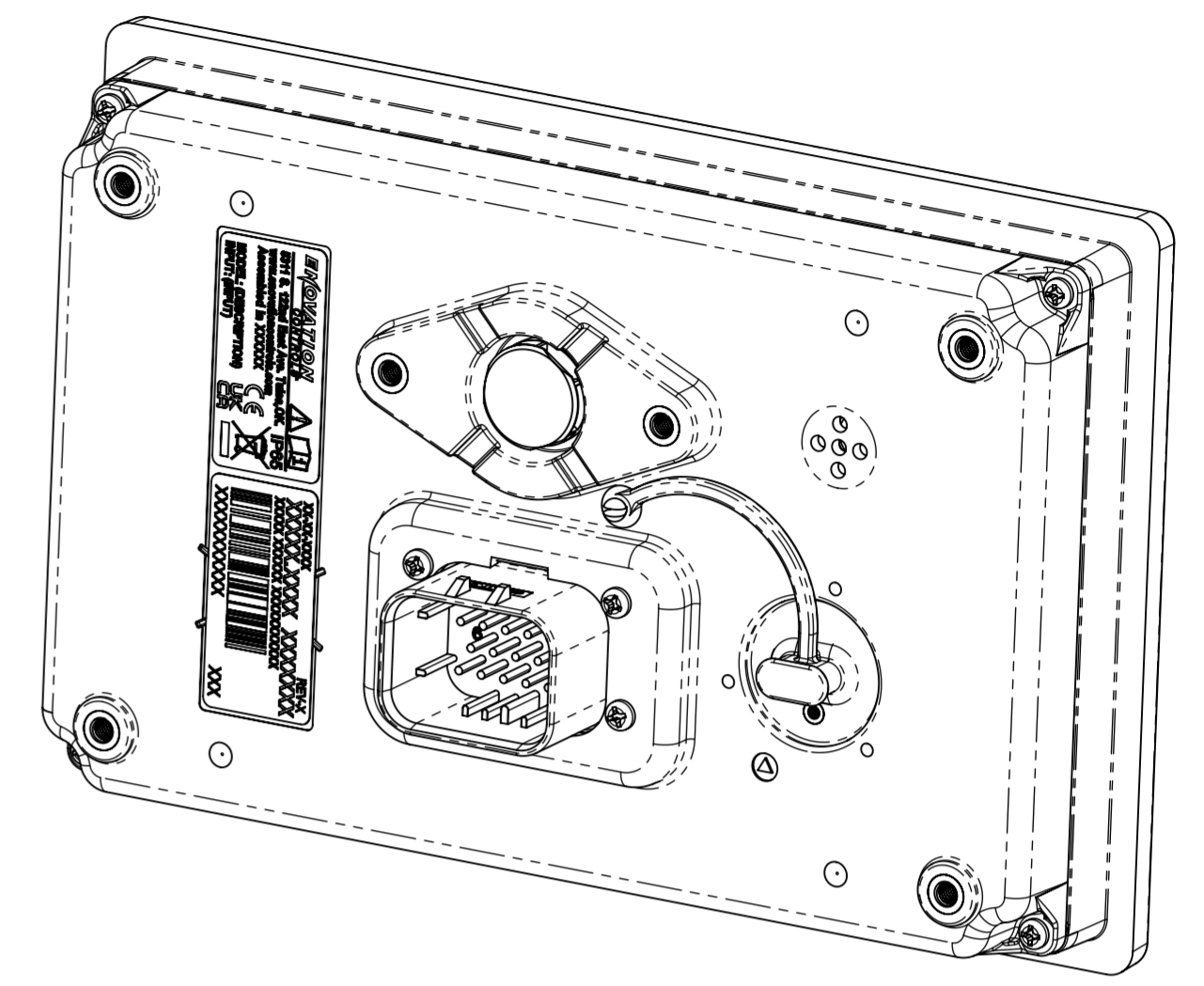
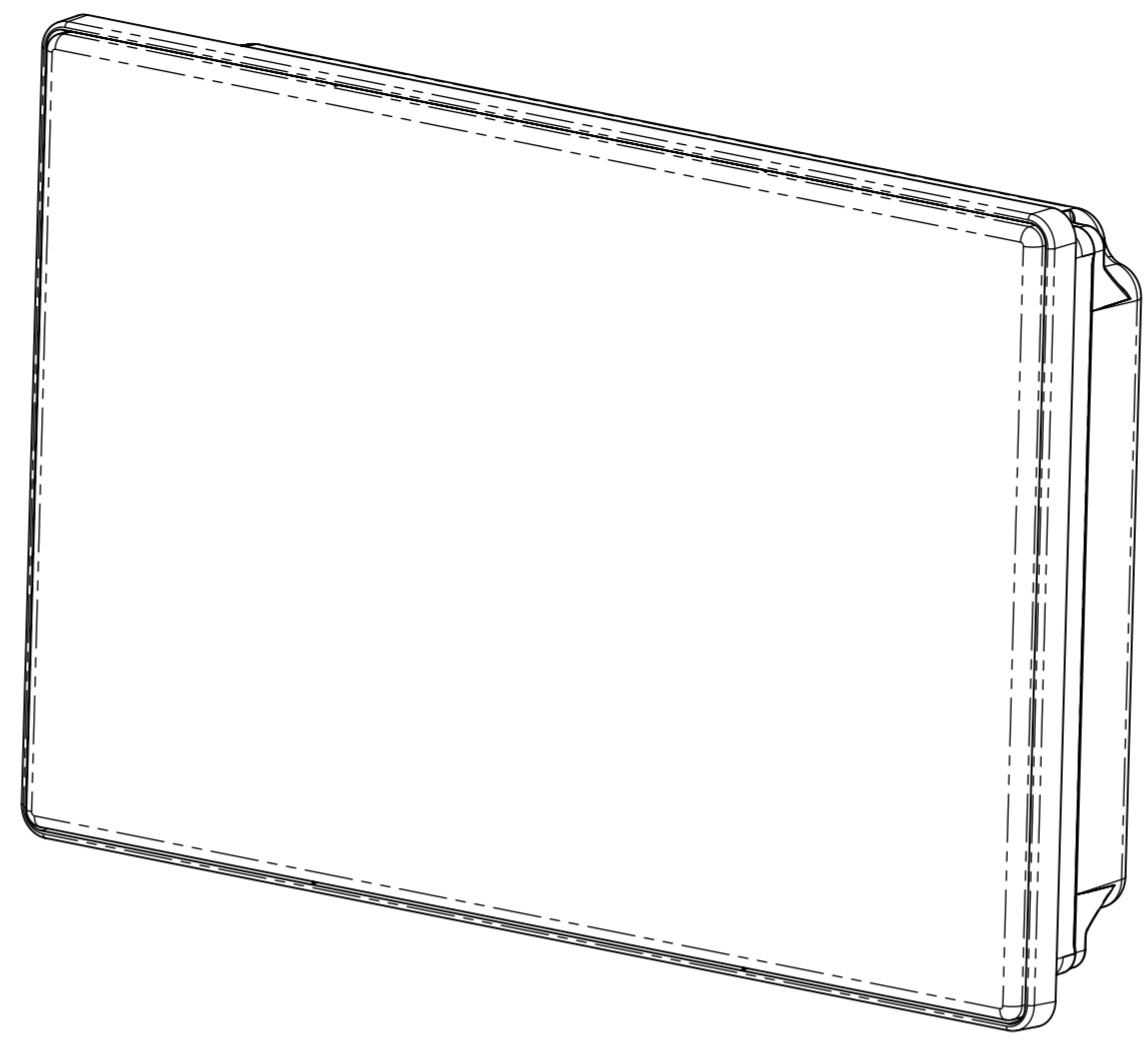
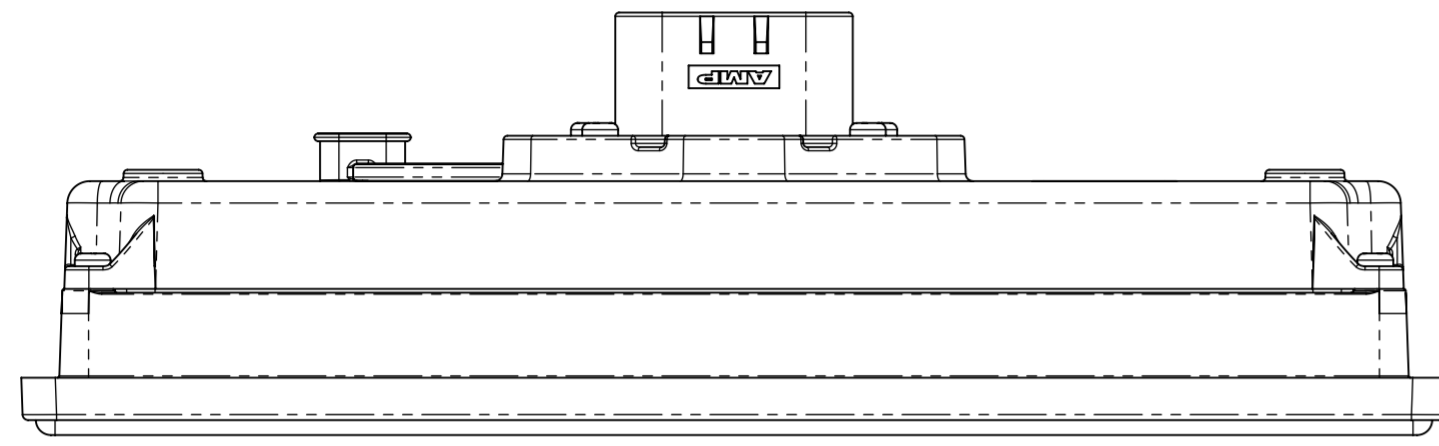


ZONE		REV.	ECO#	DESCRIPTION	DATE [YYYY.MM.DD]	BY	APPVD
-	A-		C05804	INITIAL PRODUCTION RELEASE	2023.06.23	JP	LB
-	B-		C05882	UPDATED PICTORIAL TO SHOW NEW COMPLIANCE LABEL	2023.08.17	JP	CR
-	C		C06243	CORRECTED MATING CONNECTOR P/N 776273-1 WAS 277273-1	2024.04.05	JP	JA



- NOTES:
- ALL DIMENSIONS ARE FOR REFERENCE ONLY.
 - SEE SHEET 2 FOR PRODUCTION SPECIFICATIONS.
 - SEE SHEET 3 FOR PIN-OUTS.
 - SEE SHEET 4 FOR PANEL CUTOUT DIMENSIONS.

SPECIAL CHARACTERISTICS AND SYMBOLS (SEE ENOVATION CONTROLS QUALITY MANUAL FOR MORE INFORMATION)	
◇	KEY PRODUCT CHARACTERISTIC (KPC)
□	SIGNIFICANT CHARACTERISTIC (SC)
⊗	SAFETY/COMPLIANCE CHARACTERISTIC (SCC)

DIMENSIONING AND TOLERANCING PER ASME Y14.5 - 2009 APPLY. UNLESS OTHERWISE SPECIFIED		SHALL MEET REQUIREMENTS OF ENC 4E00711 ENVIRONMENTAL COMPLIANCE SPECIFICATION		INCH DO NOT SCALE DRAWING		ENOVATION CONTROLS	
Tolerances Inch: X ± .1 XX ± .03 XXX ± .010		Tolerances Metric: X ± .2 XX ± .7 XX ± 25		ANGLES ± 2° √125		PRODUCE PART FROM CAD MODEL 78020141.SLDASM	
MATERIAL: -		FINISH: -		PART NUMBER: 78020141		DRAWING NUMBER: 78020141	
				SCALE: 1:1 AND NOTED		SHEET SIZE: A2	
				SHEET: 1 OF 4		REVISION: C	

PRODUCT SPECIFICATIONS

COMPUTING

PROCESSOR

2X 650Mhz Arm Cortex A7 + GPU (OS/Graphics)

COPROCESSOR

1X 200Mhz Arm Cortex M4 (Real time control)

STORAGE

4GB eMMC flash for operating systems and applications

RAM

512MB, 16 Bit

GRAPHICS

Integrated graphics processor

ELECTRICAL/ENVIRONMENTAL

OPERATING VOLTAGE

6-36 VDC, Reverse polarity protected

OPERATING TEMPERATURE

-4°F to 158°F [-20°C to 70°C]

STORAGE TEMPERATURE

-22°F to 158°F [-30°C to 70°C]

PROTECTION

IP65

VIBRATION

IEC 60068-2-64

SHOCK

IEC 60068-2-27

EMC/EMI

ISO 14982:2009, ISO 13766:2018

INTERFACES

CAN

1 CAN

SERIAL

USB-C, RS-485

WIFI

802.11 b/g/n

BLUETOOTH

Bluetooth V4.2 + EDR BR/EDR and Bluetooth LE specification

INPUTS

2X Resistive (0-5V), 2X Dig/Ana (0-36V)

OUTPUTS

2X 500 mA Low-side

USB

USB Type-C with Locking Connector

DISPLAY/HMI

SCREEN

7-inch, RGB IPS LCD W/ LED Backlight 24bit color

RESOLUTION

1024 X 600

CONTRAST RATIO/BRIGHTNESS

800:1, 720 cdm²

TOUCH PANEL

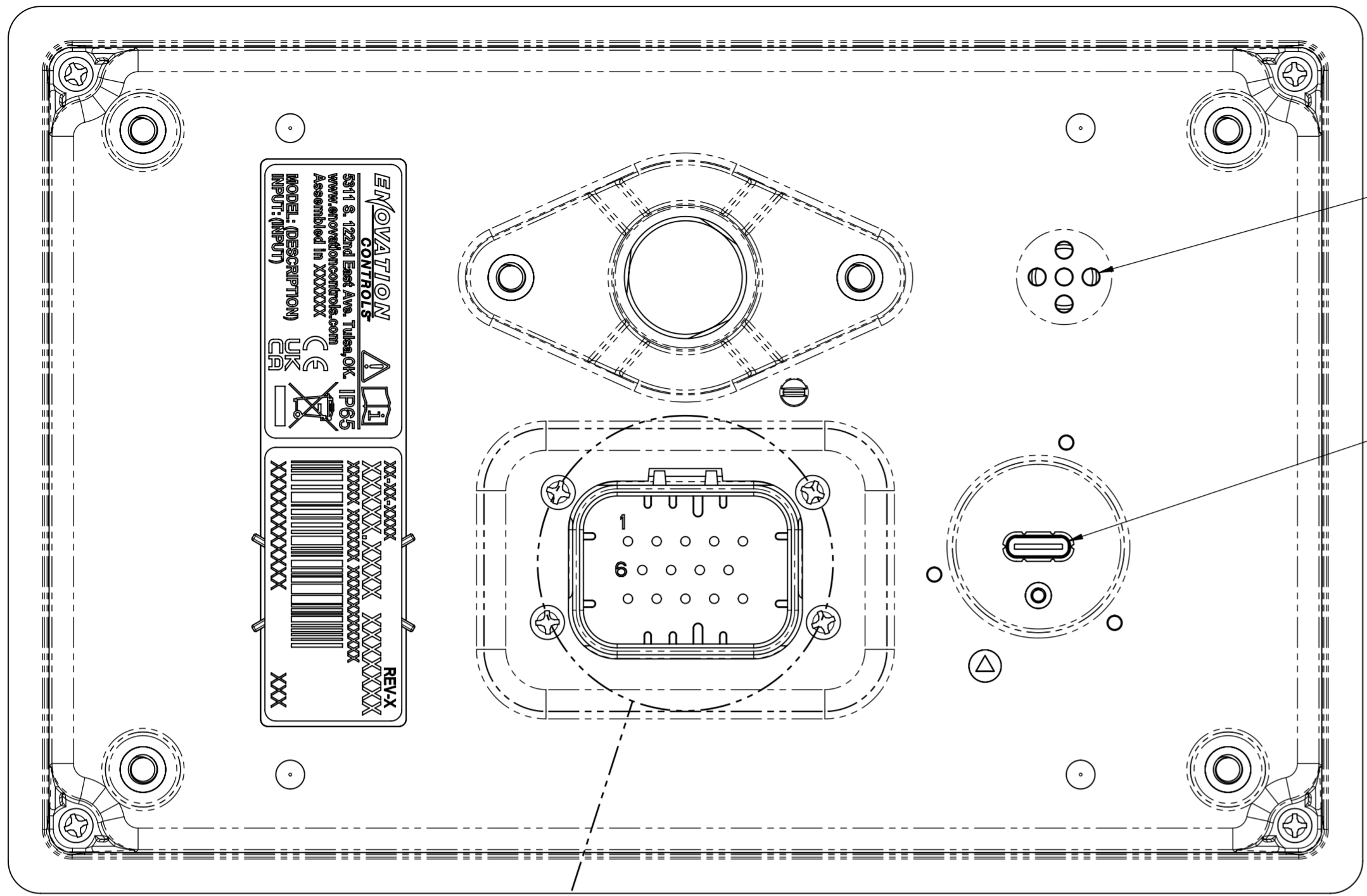
Projected capacitive (PCAP) with glove touch

BUZZER

For alarms and notifications. 80dB, Adjustable frequency

DESCRIPTION				TECHNICAL DRAWING, OV-S70-TCA0-L	
PART NUMBER		DRAWING NUMBER		REVISION	
78020141		78020141		C	
CAD FILE		SCALE		SHEET SIZE	
78020141.SLDASM		1:1 AND NOTED		A2	
				SHEET	
				2 OF 4	

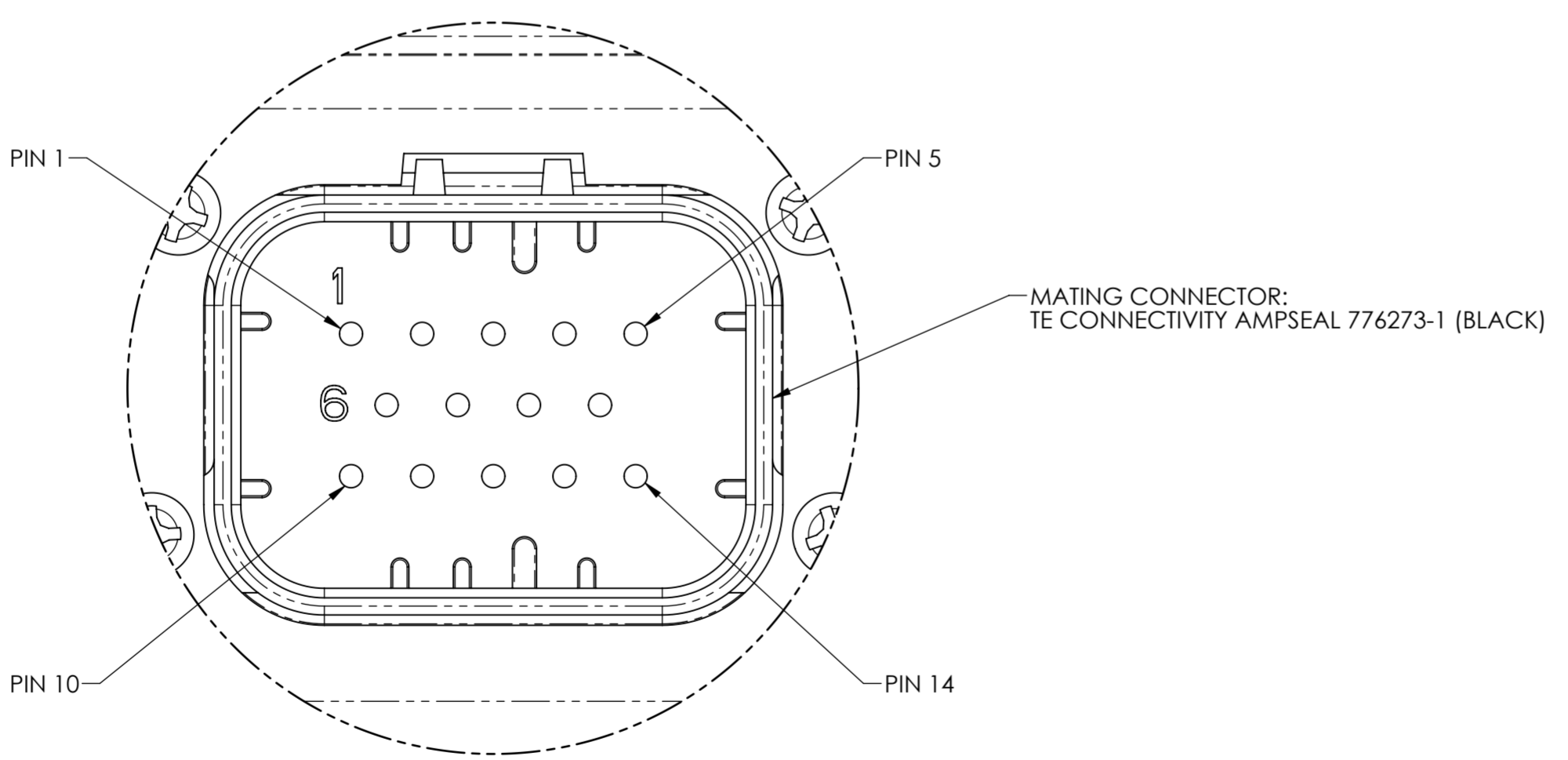
CONNECTIONS



BUZZER

USB-C CONNECTOR

A



DETAIL A
SCALE 3 : 1

CONNECTOR PINOUT	
PIN #	FUNCTION
1	GND
2	CAN1_HI/RS485_A
3	CAN1_LO/RS485_B
4	CAN2_HI
5	DOUT2/AUD OUT R
6	VBAT
7	IGN
8	CAN2_LO
9	N.C
10	DIN1/MIC1 N
11	AIN1/MIC1 P
12	AIN2/MIC2 P
13	DIN2/MIC2 N
14	DOUT1/AUD OUT L

PANEL CUT-OUT DIMENSIONS



FULL SCALE

DESCRIPTION			
TECHNICAL DRAWING, OV-S70-TCA0-L			
PART NUMBER	78020141	DRAWING NUMBER	78020141
SCALE	1.5:1 AND NOTED	SHEET SIZE	A2
CAD FILE	78020141.SLDASM	SHEET	4 OF 4
			REVISION
			C