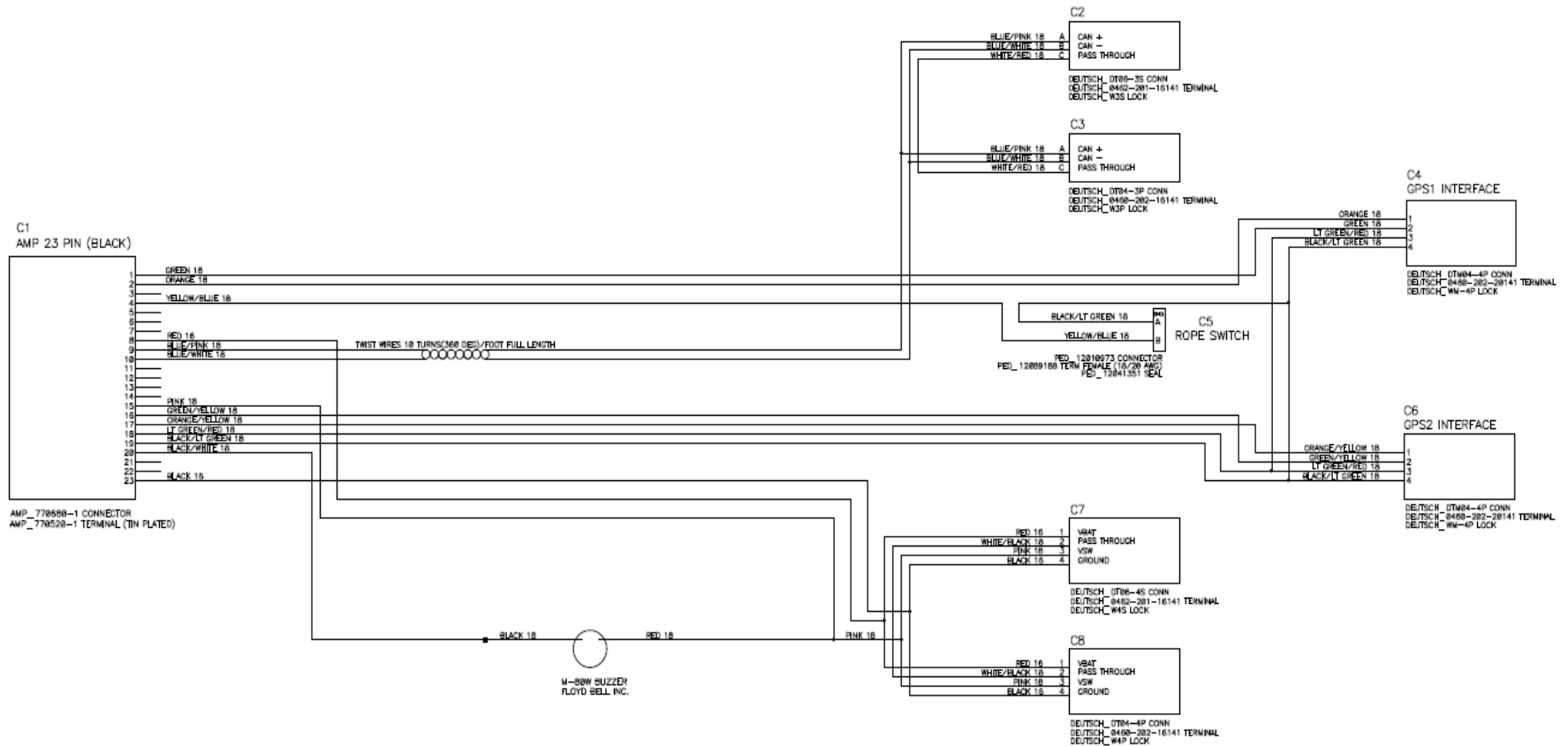


Zero Off Wiring Harness Schematic Diagram, Glossary, & Layout

Zero Off Wiring Harness Schematic Diagram (Part # ZCC 1000):



Zero Off Wiring Harness Glossary:

Component Number	Component Description
C1	-23-Pin connector (Black) -Connects to the reverse side of the Zero Off Gauge -Insert firmly until a "click" is heard
C2	-Deutsch DT06 3S CANBUS Connector -If a gateway is available, plug into the gateway harness -If gateway is not available, you must purchase the CANBUS Extention Cable (Part # AQZO1018) -Wire Colors: (A)Blue/Pink, (B)Blue/White, (C)White/Red
C3	-Deutsch DT04 3P Connector -If a gateway is available, plug into the gateway harness -If gateway is not available, you must purchase the CANBUS Extention Cable (Part # AQZO1018) -Used also for connecting the Zero Off communications cable (Part # ECOM21001) to the head unit for software updates -Wire Colors: (A)Blue/Pink, (B)Blue/White, (C)White/Red
C4	-Deutsch DTM04 4P Connector -Used for connecting the <u>primary</u> GPS antenna -Used for both the Wakeboard and 3-Event systems -Wire Colors: (1)Orange, (2)Green, (3)LT Green/Red, (4)Black/LT Green
C5	-PED 12010973 2S Female Connector -Used for connecting to an existing jump switch -Only functions while Zero Off system is in "Jump" mode -Wire Colors: (A)Black/LT Green, (B)Yellow/Blue
C6	-Deutsch DTM04 4P Connector -Used for connecting the <u>secondary</u> GPS antenna -Used for ONLY 3-Event systems -Wire Colors: (1)Orange/Yellow, (2)Green/Yellow, (3)LT Green/Red, (4)Black/LT Green
C7	-Deutsch DT06 4S Power Connector -If a gateway is available, plug into the gateway -If gateway is not available, you must purchase the Power Extension Kit (Part # AQZO105 (fused), AQZO104 (non-fused)) -Wire Colors: (1)Red, (2)White/Black, (3)Pink, (4)Black
C8	-Deutsch DT04 4P Power Conector -If a gateway is available, plug into the gateway -If gateway is not available, you must purchase the Power Extension Kit (Part # AQZO105 (fused), AQZO104 (non-fused)) -Wire Colors: (1)Red, (2)White/Black, (3)Pink, (4)Black

Zero Off Wiring Harness Layout Drawing:

