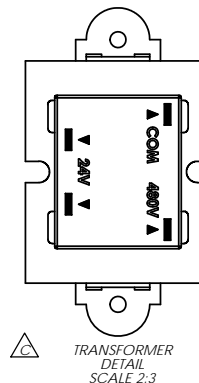
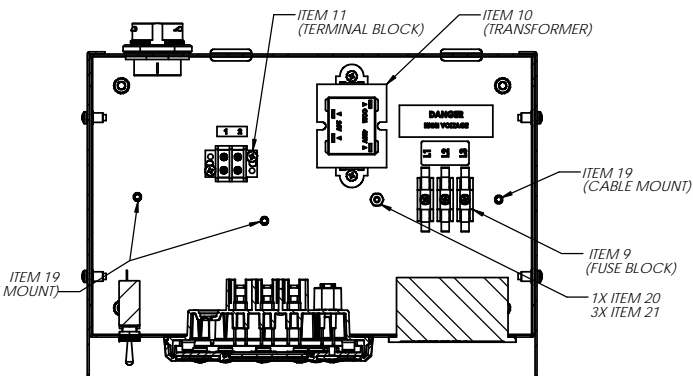
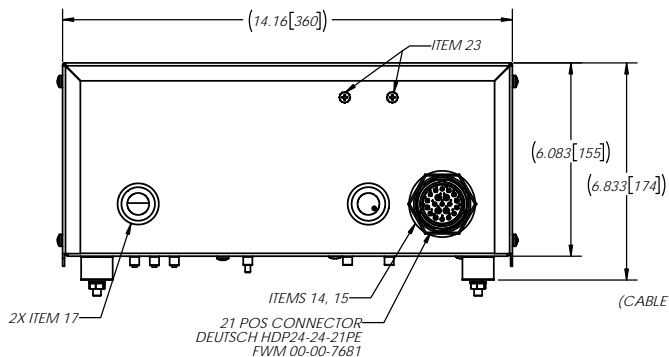
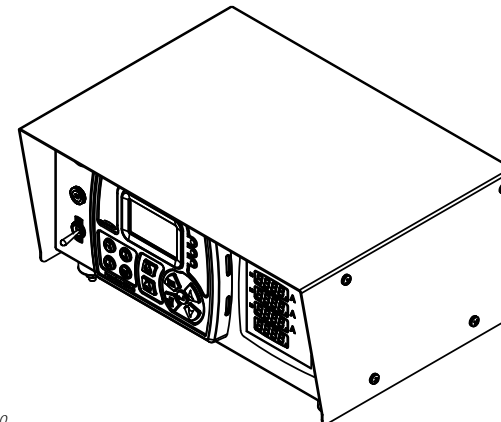
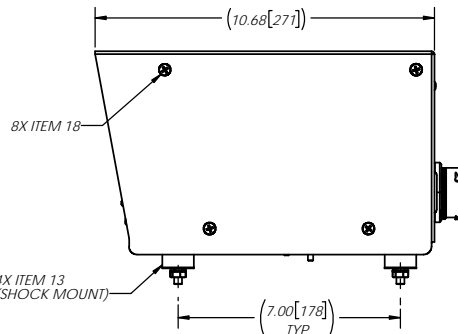
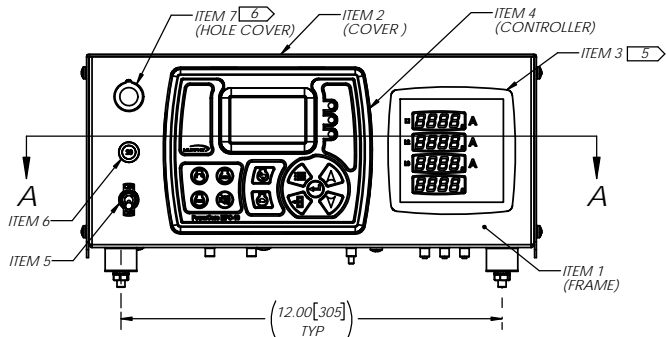


NOTES:

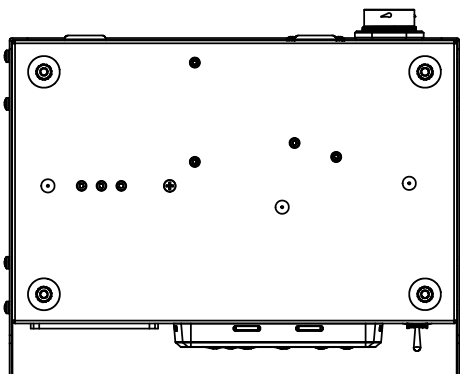
1. SEE 75-07-0042 FOR WIRING DIAGRAM.
2. ITEM NUMBERS REFER TO PARTS LIST AND BOM. PARTS LIST DOES NOT INCLUDE COMPLETE BOM.
3. DIMENSIONS IN [] ARE MILLIMETERS.
4. DIMENSIONS IN () ARE FOR REFERENCE ONLY.
5. ITEM 3 DIGITAL MULTIMETER OPTIONS: 120 VAC= 00-03-4183
240/480 VAC= 00-03-4184
6. OPTIONAL STOP BUTTON AVAILABLE FOR PURCHASE. SEE ACCESSORY COMPONENTS BELOW.

REV.	DESCRIPTION	DATE	BY	CHECKED BY
C	ADDED TRANSFORMER DETAIL.	2/15/2018	MR	AU



TRANSFORMER
DETAIL
SCALE 2:3

SECTION A-A



ORDER MATRIX

PART NO	AC VOLTS
75-70-0649	120VAC
75-70-0650	240/480 VAC

ACCESSORY COMPONENTS

PART NO	DESCRIPTION
75-00-1313	MECHANICAL ENGINE HARNESS
40-00-0657	MPC-10 I/O HARNESS
40-00-0658	STOP BUTTON KIT

PARTS LIST

ITEM	DESCRIPTION	MODEL NO.	QTY
3	DIGITAL MULTIMETER	SEE NOTE 5	1
4	CONTROLLER	MPC-10	1
5	TOGGLE SWITCH, ON/OFF	00-00-0426	1
6	CIRCUIT BREAKER, 20A	00-00-8411	1
7	HOLE COVER	00-00-6036	1
9	FUSE BLOCK	00-03-4001	1
9	FUSE, 5A	41-33-1002	3
10	TRANSFORMER, 480/24V	38-11-0007	1
11	TERMINAL BLOCK, 2 POSITION	00-03-4197	1
13	SHOCK MOUNT	65-00-0317	4
17	GROMMET	00-00-4223	2

CONFIDENTIAL INFORMATION

The information contained herein is proprietary, submitted in confidence, and shall not be disclosed used or duplicated whatsoever without the written permission of FW MURPHY.

UNLESS OTHERWISE SPECIFIED

All dimensions are in inches. Third Angle Projection. Tolerances: Inch: X±.11, XX±.010; Metric: X±.3, XX±.25; Angles: ±.2°

FINISH PER SPEC. C0E00601

GENERIC CODE

SCALE: 3:8 DATE: 10/6/2017

DWG BY: BP MR CHECKED BY: MR APVD BY: AU

DWG SIZE: C MODEL: 75-02-0042

MATERIAL:



NAME

GENSET, MPC-10, DM

DRAWING NO. SHEET 1 OF 1 REV

75-02-0042 C