



by **ENOVATION** CONTROLS



PowerView[®] Model PV1100

Installation Manual

In order to consistently bring you the highest quality, full-featured products, we reserve the right to change our specifications and designs at any time. The latest version of this manual can be found at enovationcontrols.com.

Warranty - A limited warranty on materials and workmanship is given with this Murphy product. A copy of the warranty may be viewed or printed by going to www.enovationcontrols.com/warranty



Please read the following information before installing.

BEFORE BEGINNING INSTALLATION OF THIS MURPHY PRODUCT:

Read and follow all installation instructions.

Please contact Enovation Controls immediately if you have any questions.

Table of Contents

Hardware Installation	1
Inspecting Package Contents.....	1
Dash-Mounted Installation.....	1
Mounting Bracket	3
Wiring Information	5
Pin Out Specifications	5
Configuration Information	8
Wiring Schematics – Black Connector (Valid for all non-connected wiring)	9
Wiring Schematics – Gray Connector (Valid for all non-connected wiring)	10
Specifications	11
Dimensions	13

THIS PAGE INTENTIONALLY LEFT BLANK

Hardware Installation

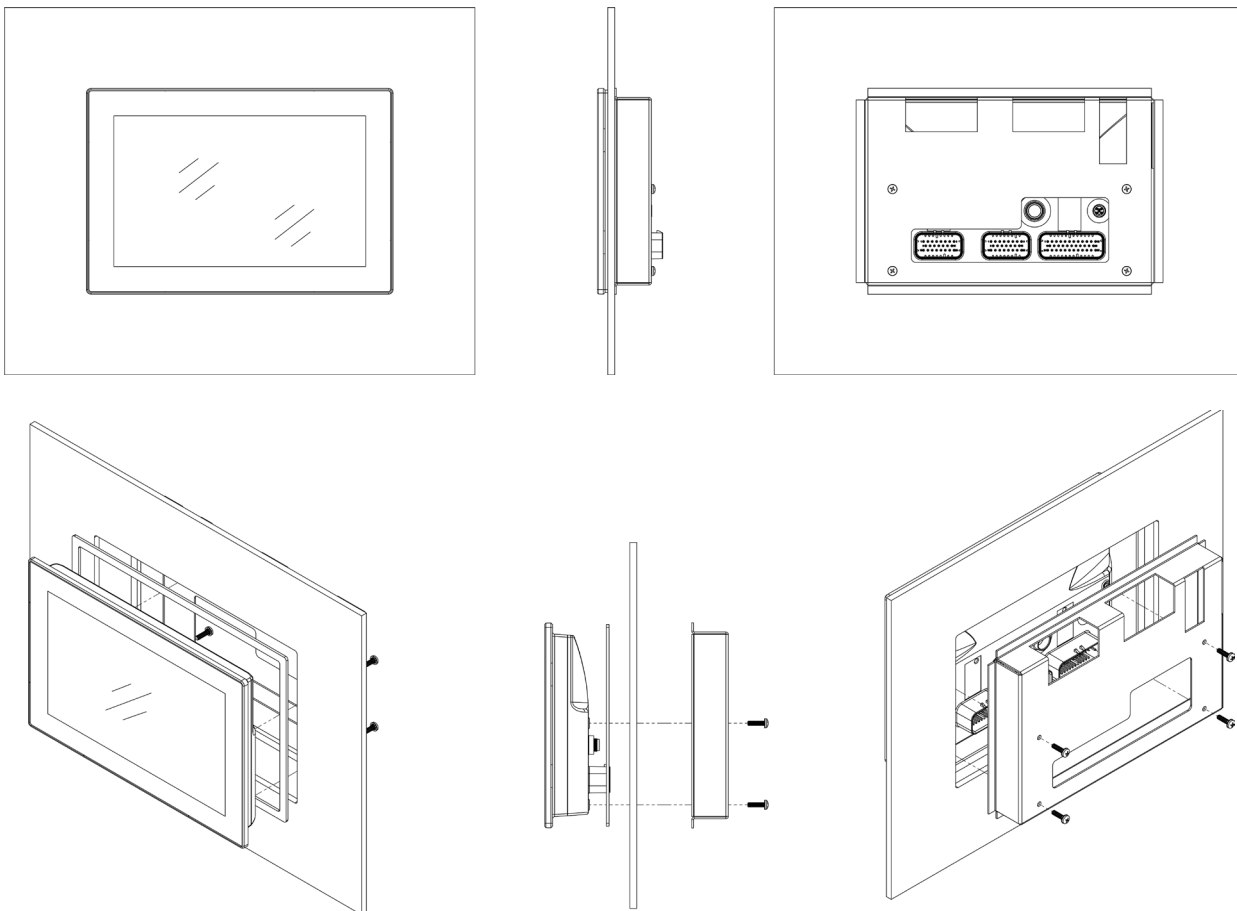
The following instructions will guide you through installing the PowerView display.

Inspecting Package Contents

Before attempting to install the product, it is recommended that you ensure all parts are accounted for and inspect each item for damage (which sometimes occurs during shipping). The items included in the box are:

- PV1100 unit
- Installation manual web reference insert

Dash-Mounted Installation



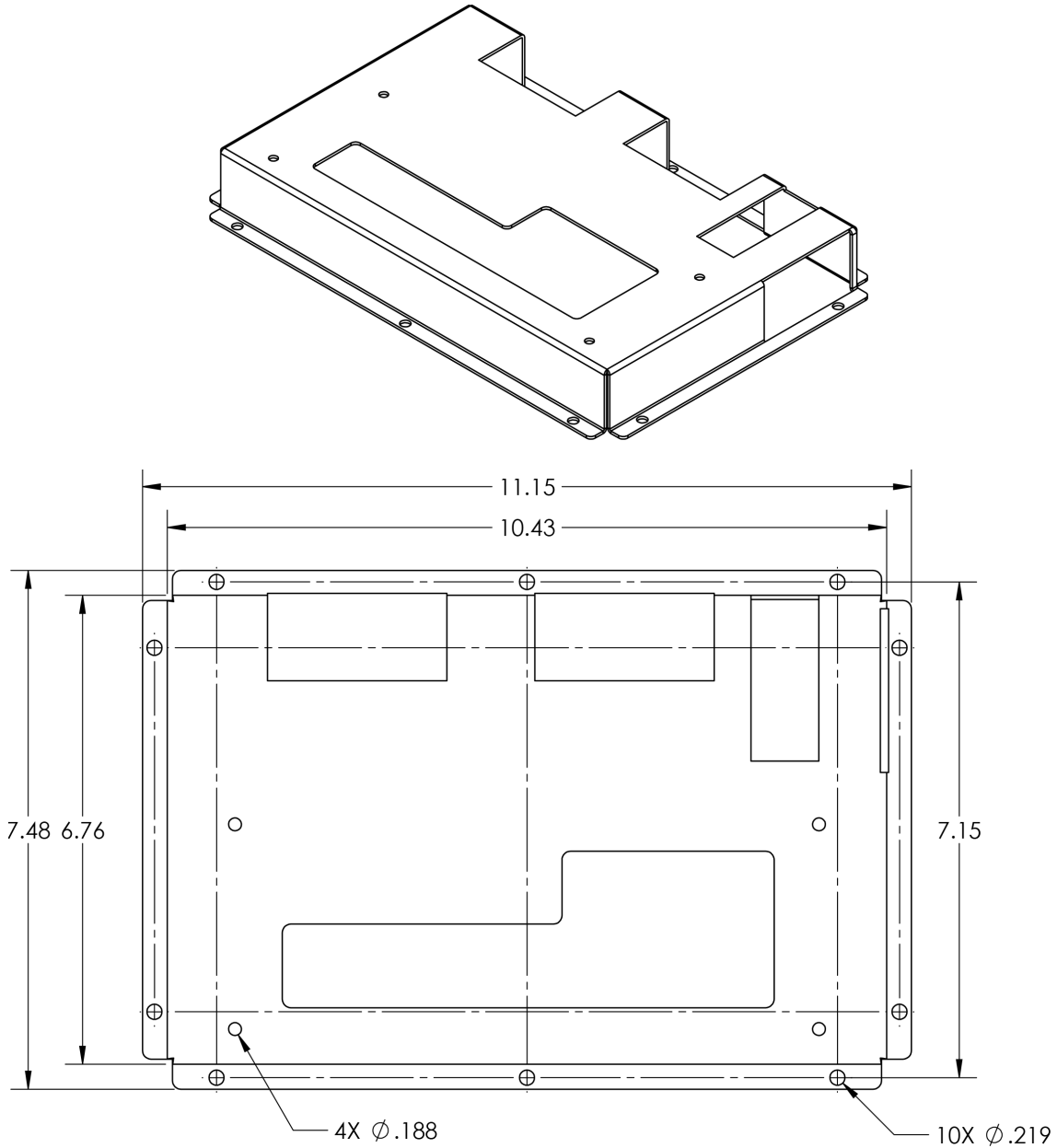
Installation kit (sold separately) – P/N 78-00-1277 includes:

- Bracket
- Panel Seal
- (4) 8-32 machine screws

Mounting the Unit

1. Place the back side of the display through the opening in the dash.
2. Use the four included screws from the mounting kit (78-00-1277) to attach the unit to the bracket and torque to 10 inch-pounds.

Mounting Bracket



How to Order

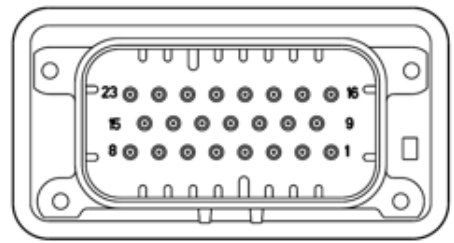
The following PV1100 displays and accessories are available through Enovation Controls:

Part Number	Description	Order Details
78700636	PV1100, Touch, Non-connected, Landscape	Display
78700654	PV1100, Touch, Non-connected, Portrait	Display
78090098	Programming Kit, PV780/PV1100	Accessories
78001277	Kit, Mounting Bracket, PV1100	
78001055	Harness, Gray Connector, USB	
78001056	Harness, Gray Connector, Flying Leads	
78001057	Harness, Black Connector, Flying Leads	
78001017	Harness, Black Connector, Development	
78001018	Harness, Gray Connector, Development	
78090069	Harness, PV750/PV1100 Conversion, Power/CAN	

Wiring Information

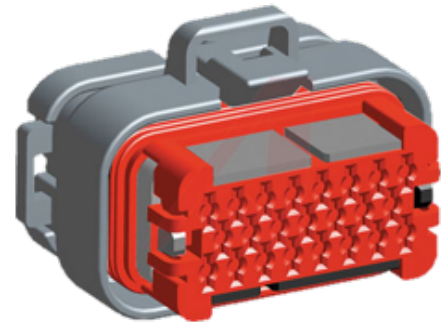
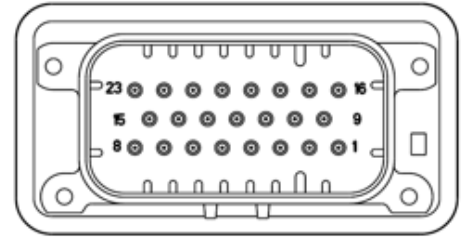
Pin Out Specifications

Black Connector	
1	Digital Input 1
2	Analog Input 3
3	Analog Input 2
4	Analog Input 1
5	CAN1 Low
6	CAN1 High
7	Battery
8	Ground
9	Analog Input 3 Ground
10	Analog Input 2 Ground
11	Analog Input 1 Ground
12	Digital Input 3
13	Digital Input 2
14	Frequency Output 1
15	Ignition Input
16	No Connect
17	No Connect
18	CAN2 Low
19	CAN2 High
20	Digital Input 4
21	Digital Input 5
22	Digital Output
23	Frequency Output 2



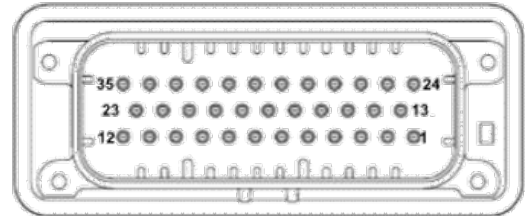
AMP 770680-1

Gray Connector	
1	Video Input 1 NTSC/PAL
2	Video Input 2 NTSC/PAL
3	Video Input 3 NTSC/PAL
4	RS-485 High
5	RS-485 Low
6	LINE_OUT_1_R Negative Audio Out - Right
7	LINE_OUT_1_R Positive Audio Out - Right
8	LINE_OUT_1_L Negative Audio Out - Left
9	Video Input 1 Ground
10	Video Input 2 Ground
11	Video Input 3 Ground
12	No Connect
13	Frequency Input
14	Frequency Return
15	No Connect AUDIO OUT - LEFT
16	USB D- White (Data -)
17	USB D+ Green (Data +)
18	USB 5V Red (+5V)
19	USB Ground Black
20	USB Shield
21	No Connect
22	No Connect
23	No Connect



AMP 770680-4

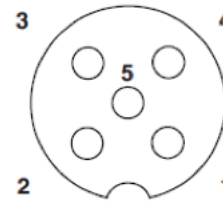
35 Pin Black Connector	
1, 2, 3, 4	No Connect
5	LINE_IN_1_L Audio In
6	LINE_IN_1_L Return Audio In
7	LINE_IN_1_R Audio In
8	LINE_IN_1_R Return Audio IN
9	LINE_IN_2_L Audio In
10	LINE_IN_2_L Return Audio In
11	LINE_IN_2_R Audio In
12	LINE_IN_2_R Return Audio In
13, 14, 15	No Connect
16	LINE_OUT_1_L Negative Audio Out - Left
17	LINE_OUT_1_L Positive Audio Out - Left
18	LINE_OUT_4_L Negative Audio Out - Left
19	LINE_OUT_4_L Positive Audio Out - Left
20	LINE_OUT_3_L Negative Audio Out - Left
21	LINE_OUT_3_L Positive Audio Out - Left
22	LINE_OUT_2_L Negative Audio Out - Left
23	LINE_OUT_2_L Positive Audio Out - Left
24	AMP_TURN_ON 3 Accessory Output 2
25	AMP_TURN_ON 2 Accessory Output 1
26	AMP_TURN_ON 1 Amp Control
27	No Connect
28	LINE_OUT_1_R Negative Audio Out - Right
29	LINE_OUT_1_R Positive Audio Out - Right
30	LINE_OUT_4_R Negative Audio Out - Right
31	LINE_OUT_4_R Positive Audio Out - Right
32	LINE_OUT_3_R Negative Audio Out - Right
33	LINE_OUT_3_R Positive Audio Out - Right
34	LINE_OUT_2_R Negative Audio Out - Right
35	LINE_OUT_2_R Positive Audio Out - Right



AMP 776164-1

NOTE: The 35-pin connector pins are only active for the connected stereo option.

Ethernet (M12) Connector	
1	Ethernet TX+
2	Ethernet RX+
3	Ethernet TX-
4	Ethernet RX-
5	Ethernet Ground




M-12, 5-pos, A-coded
Plastic Knurl Connector Only

NOTE: Ethernet connectivity is optional. Available on connected and connected stereo options.

Configuration Information

Follow these steps to download a custom configuration to the PV1100 display:

Step	Action
1	Turn off the display.
2	Insert the USB drive that contains the new configuration file into the display's attached USB pigtail.
3	Place a magnet onto the spot shown here on the upper middle back of the display: 
4	Power the display back on, continually holding the magnet in place.
5	Remove the magnet when the display shows the utility for loading new software.
6	Touch the arrow keys on the screen to select the configuration file from the USB to be loaded into the display. Start the configuration load by pressing the right arrow/green key on the screen twice. When complete, the unit will reboot into the loaded application.

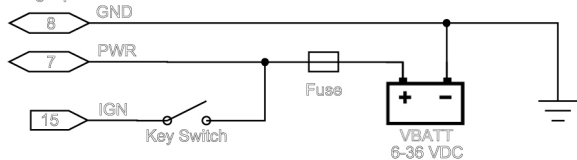
Wiring Schematics – Black Connector (Valid for all non-connected wiring)



WARNING: Failure to install the unit per the specified wiring diagrams may cause damage to the unit. **DO NOT** connect power to the video ground. Warranty is void for damage caused by incorrect wiring.

J1 (BLACK CONNECTOR)

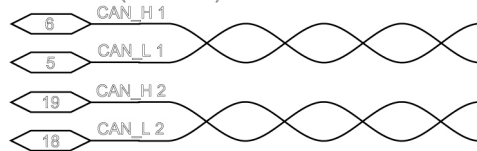
Analog Inputs



NOTES:

- Mating connector AMPSEAL 770680-1 plug with 770654-3 sockets
- Use 20 to 18 AWG (0.5 to 1.4 mm²)
- Wire diameter of 1.7 to 2.7 mm.
- Install seal plug 770678-1 in perforated connector wire cavities
- Use 5A Slow Blow Type Fuse

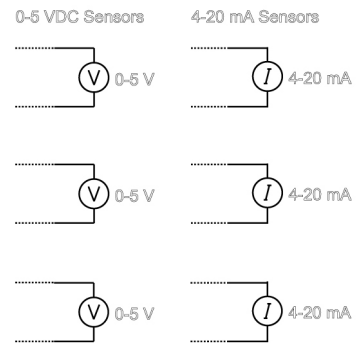
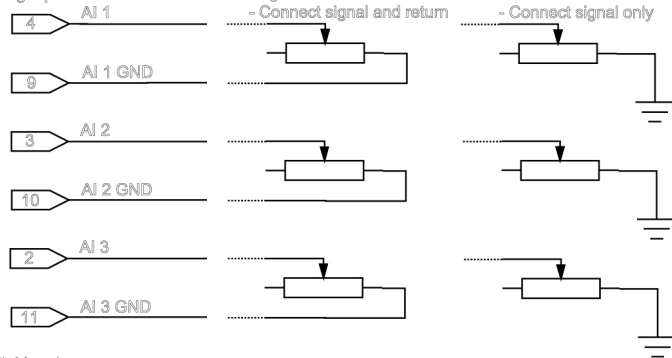
Communications (CAN 2.0A/B)



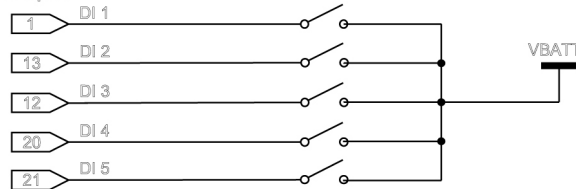
Wire per J1939-11 (STP) or J1939-15 (UTP)

- J1939-11: Keep stub <1m length; up to 30 nodes; 40m max length
- J1939-15: Keep stub <3m length; up to 10 nodes; 40m max length
- Locate display node >0.1m from nearest node
- Space nodes unequally
- Keep CANbus trunk as linear as possible
- Type I - Use external 120 ohm terminator
- Type II - Enable internal terminator

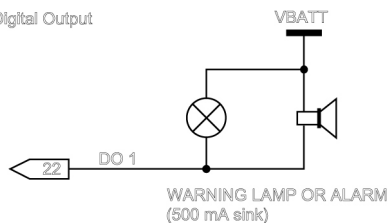
Analog Inputs



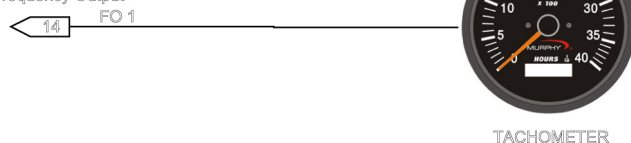
Digital Inputs



Digital Output



Frequency Output



Wiring Schematics – Gray Connector (Valid for all non-connected wiring)

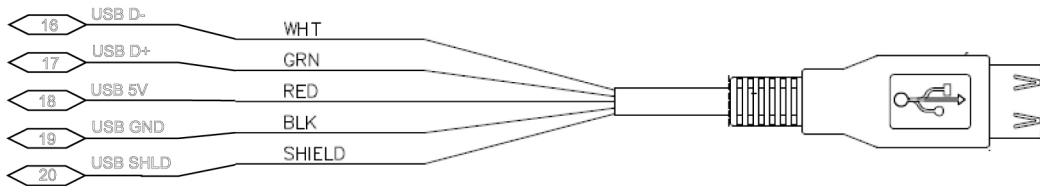


WARNING: Failure to install the unit per the specified wiring diagrams may cause damage to the unit. **DO NOT** connect power to the video ground. Warranty is void for damage caused by incorrect wiring.

J2 (GRAY CONNECTOR)

- NOTES:
- Mating connector AMPSEAL 770880-4 plug with 770854-3 sockets
 - Use 20 to 16 AWG (0.5 to 1.4 mm²)
 - Wire diameter of 1.7 to 2.7 mm.
 - Install seal plug 770678-1 in perforated connector wire cavities

USB (Programming and Data Logging)

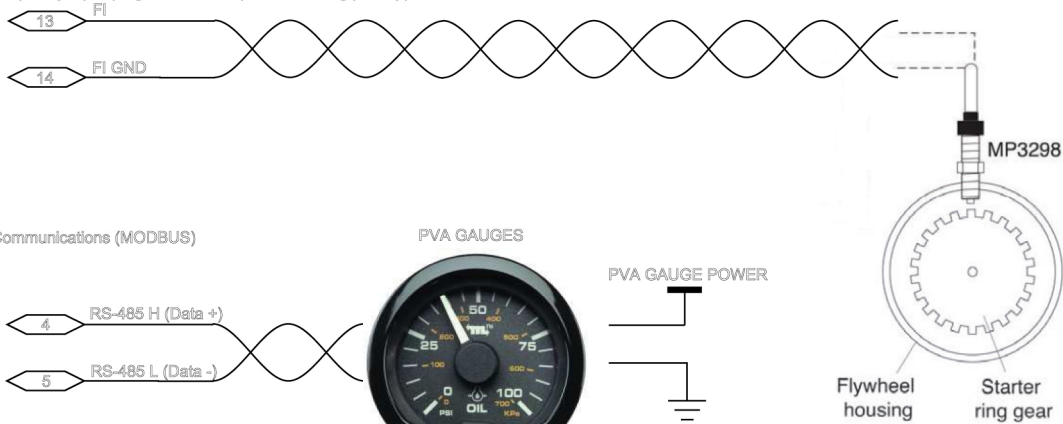


Video Inputs



- VIDEO CAMERA NOTES
- NTSC or PAL format
 - Do not mix camera types
 - Follow camera manufacturer specifications for power
 - Do not power camera using VIDEO GND

Frequency Input (Engine or Shaft Speed from mag pick-up)



Communications (MODBUS)

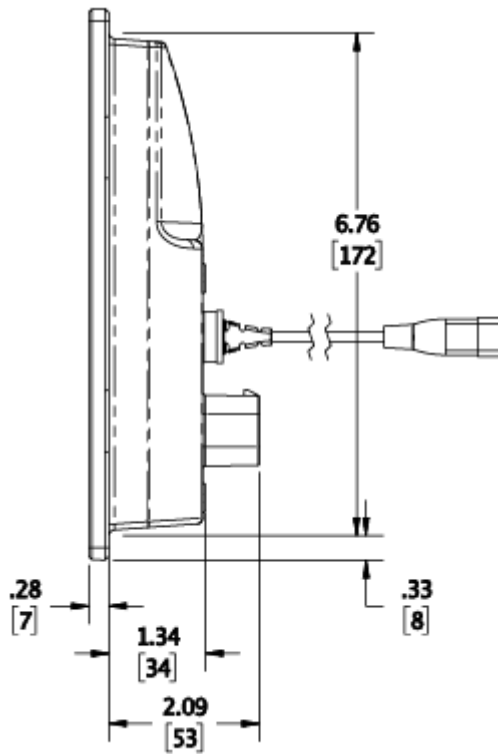
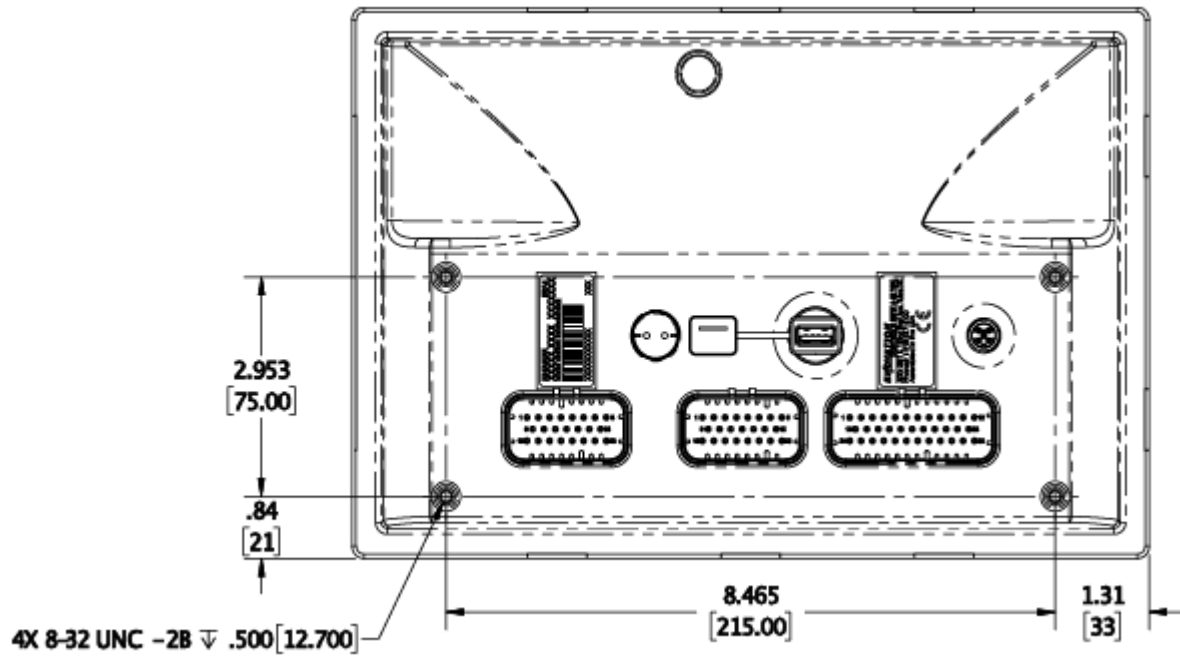


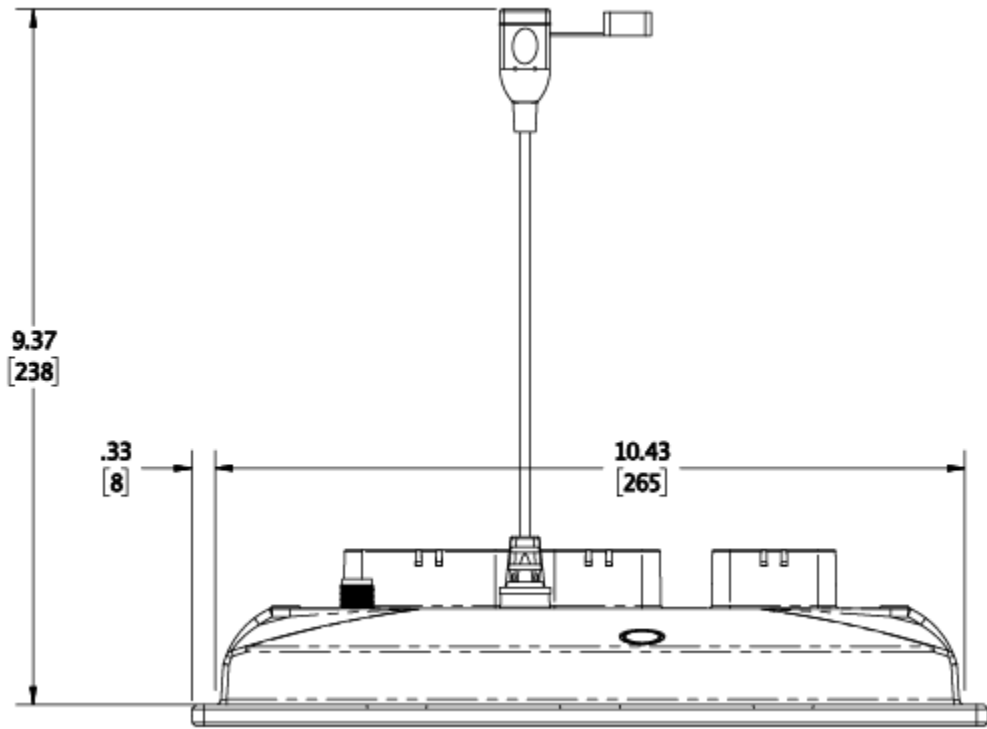
Specifications

Computing	
Main Processor:	Renesas R-Car M2, 32-Bit Arm Cortex A15 Processor @ 1.5 GHz
Operating Sys:	QNX® Real-time Operating System
Storage:	8GB Flash memory for Operating System, Application and Configuration
Ram:	512 Mb DDR3-SDRAM
Graphics:	Renesas graphics processor (2D)
Displays	
Type:	10.6" [231.36 mm (H) X 138.82 mm (W)] viewable area, LVDS TFTS LCD with LED backlight, 24-Bit color
Resolution:	1280 x 768 pixels
Contrast Ratio:	1000:1 (typical)
Brightness:	1000 cd/m ²
Surface:	Anti-glare, hard coating
Touch Panel:	Projected capacitive (PCAP) with Glove touch
Hardware	
Real-time Clock:	Included
Connectors:	(2) Ampseal 23 pin (Main) (1) Ampseal 35 pin (1) M12, 5-pin (Ethernet)
Video Inputs:	(3) NTSC/PAL
Communication	
CAN:	(2) CAN 2.0B according to ISO-11898-2, J1939 and proprietary messaging
Serial:	(1) RS-485 serial (Modbus: Master/Slave)
USB:	(1) USB 2.0 Full Speed Host
Ethernet:	(1) Ethernet 10/100 Base-T (Connected Variants Only)
Wi-Fi:	802.11 b/g radio (Connected Variants Only)
Bluetooth:	Fully Integrated Bluetooth 2.1, Class 1 (Connected Variants Only)

Electrical	
Operating Volts:	6-36 VDC, Reverse polarity protected
Outputs:	(1) 500 mA Switched Low-side (1) Frequency Output (2Hz – 3KHz)
Inputs:	(3) Analog 0-5 VDC, 4-20mA, Resistive, 10-bit resolution (5) Discrete digital, active high
Environmental	
Operating Temp:	-40°C to +70°C (-40°F to +158°F)
Storage Temp	-40°C to +85°C (-40°F to +185°F)
Protection:	IP66 and IP67, front and back, for outdoor use
Vibration:	3.9 Grms (10 – 350Hz), 3 axes (ISO 15003)
Shock:	±50G in 3 axes
EMC/EMI:	SAEJ1113, ISO 13766, CE per 2014/30/EU

Dimensions





Measurements shown in inches [mm]

In order to consistently bring you the highest quality, full-featured products, we reserve the right to change our specifications and designs at any time. MURPHY products and the Murphy logo are registered and/or common law trademarks of Enovation Controls, LLC. This document, including textual matter and illustrations, is copyright protected by Enovation Controls, LLC, with all rights reserved. (c) 2018 Enovation Controls, LLC. A copy of the warranty may be viewed or printed by going to www.enovationcontrols.com/warranty

ENOVIATION CONTROLS CORPORATE HEADQUARTERS

5311 S 122ND EAST AVENUE
TULSA, OK 74146

ENOVIATION CONTROLS LTD. – UNITED KINGDOM

CHURCH ROAD LAVERSTOCK
SALISBURY SP1 1QZ UK

SUN MURPHY INTERNATIONAL TRADING (SHANGHAI) CO., LTD

B15 ROOM, 6# BUILDING, 351 SIZHUAN ROAD
SONGJIANG DISTRICT, SHANGHAI 201601, CHINA

ENOVIATION CONTROLS INDIA PVT. LTD.

301, 3RD FLOOR, KRISNA CHAMBERS,
11 GALAXY GARDENS, NORTH MAIN ROAD,
KOREGAON PARK, PUNE 411001,
MAHARASHTRA, INDIA

U.S. SALES & SUPPORT

PHONE: 918 317 4100
EMAIL: SALES@ENOVIATIONCONTROLS.COM
WWW.ENOVIATIONCONTROLS.COM

MURPHY INDUSTRIAL PANEL DIVISION

PHONE: 918 317 4100
EMAIL: IPDSALES@ENOVIATIONCONTROLS.COM

INTERNATIONAL SALES & SUPPORT

EUROPE, MIDDLE EAST, AFRICA

PHONE: +44 1722 410055
EMAIL: SALES@ENOVIATIONCONTROLS.EU

CHINA

PHONE: +86 21 6237 5885
EMAIL: APSALES@ENOVIATIONCONTROLS.COM

INDIA

PHONE: +91 91581 37633
EMAIL: INDIASALES@ENOVIATIONCONTROLS.COM



FM 28221 (Tulsa, OK - USA)
FM 29422 (UK)