

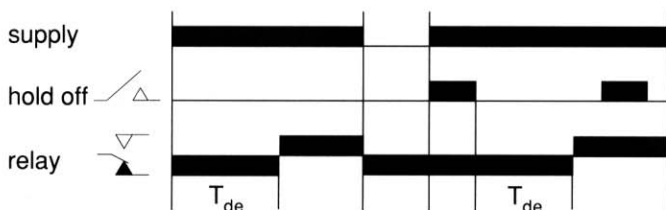
TR100, TR200, TR300, TR1400 series

**DELAY ON ENERGISATION TIMERS
8 AND 11 PIN PLUG-IN**

A flexible range of delay on energisation timers, compatible with a wide variety of pin configurations and supply voltages. Applications include any system where a delayed response or time function is required.

Operation

When power is applied to the supply terminals, the relay remains in its de-energised state until the time period has expired. The relay then energises and remains in this state until power is removed. Where fitted, a 'hold off' facility enables the start of the time period to be delayed via remote contacts, regardless of the supply state. Removal of power at any time resets the time period.



Connections are provided for either single or double pole change-over contacts. An LED indicates when the relay is energised on the TR1400 series.

On standard units, delay time is set through an adjuster on top of the casing. 'Z' versions allow control through a remotely mounted potentiometer (supplied with the timer). Available ranges are 1, 2.5, 5, 10, 25, 60, 100, 250, 600 and 1000 seconds. TR300 and TR1400 series are also available in various scales up to 10 hours.

Standard units and features are:

	240V ac	110V ac	24V dc	12V dc	DPCO contacts	SPCO contacts	Hold Off	Remote adjustment	LED indication	8 pin base	11 pin base
TR100	•	•	•		•	•			•		
TR100Z	•	•	•		•	•		•	•		
TR200			•	•	•	•			•		
TR300			•		•	•			•		•
TR301			•		•	•			•		•
TR300Z			•		•	•		•	•		
TR1400			•		•	•			•		•
TR1401			•		•	•			•		•

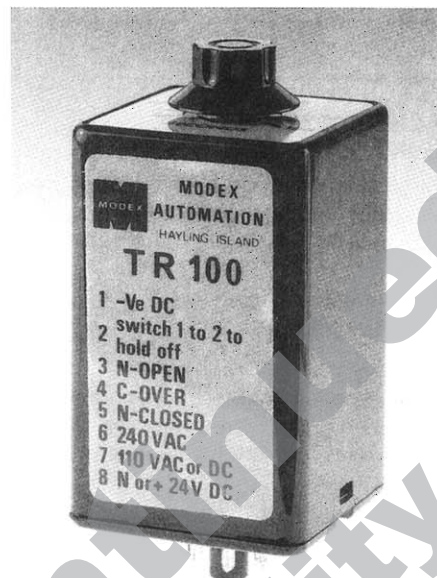
In addition to the standard ranges, many versions are also available for use with special voltages and pin configurations. Please contact Modex for full details.

When ordering, please specify:

- a) Product type number
- b) Operating voltage(s)
- c) Time range
- d) Base locating pip position (up or down)

Accessories:

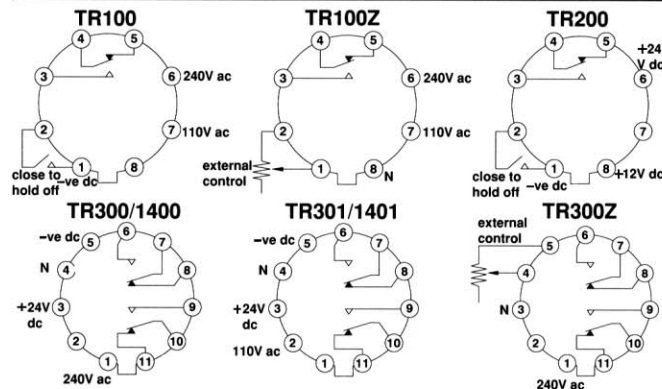
- SB8** DIN rail/surface mount, octal base for above
- SB11** DIN rail/surface mount, 11 pin base for above
- RCR/L** Elastic retaining strap for use with timer and base



Product Specification

Supply:	
nominal voltages (voltage ranges)	12V dc (9-16V dc) 24V dc (18-32V dc) 110V ac (90-130V ac) 240V ac (200-250V ac)
power consumption	dc: <2W / ac:<10VA
Time scales:	
variability	Various, up to 10 hours
minimum time setting	< 1% approx. 2% of full scale
Relay:	
General:	
ambient temperature range	SPCO or DPCO, 5A @ 240V AC1, 3x10 ⁵ operations
weight	-10 to +55°C <130g

Connection



Dimensions (mm)

