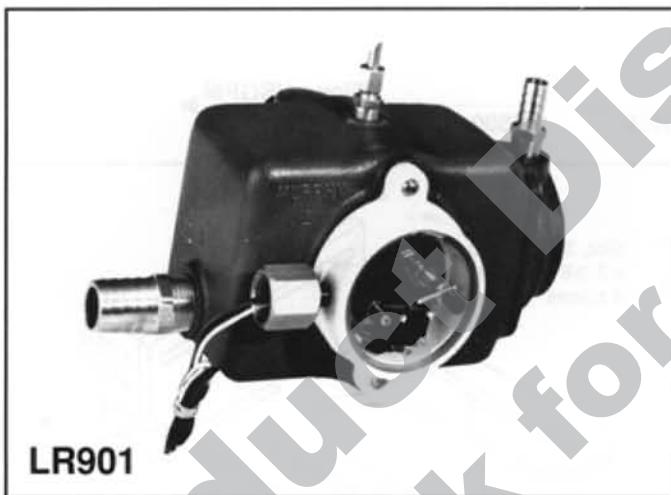
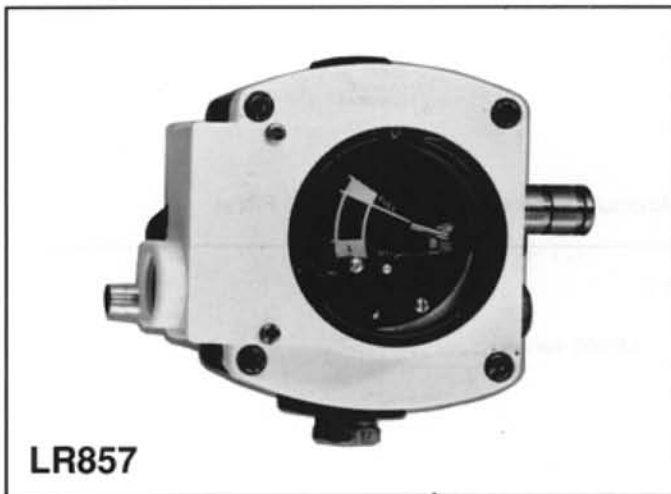


# Maintain Lube Levels

## Models LR857, LR900 Series



- Maintain Your Engine's *Running-Oil-Level*
- Eliminates Under/OverFill Due To "Human Error"
- Simple Installation
- Minimal Maintenance — Reducing Costs
- Low Level Switch
- Three Models To Fit Varied Applications

Patent no. 4038507

### Description

Murphy lube level regulators maintain the crankcase oil level of an engine. Adjusted to the engine's correct *running-oil-level*, these Level Regulators (LR) will replenish oil as the engine uses it. An integral, low-level switch will alarm and/or shutdown the engine if supply oil is lost and the engine continues to use oil.

### Application

**LR857:** Maintains oil level on any size engine, but recommended for small to medium volume applications and installations that require a 3-wire, snap-action switch.

**LR901:** Designed for engines with a large volume crankcase, requiring a faster refill than available with the LR857—includes inlet filter screen. Low oil level switch is SPDT.

**LR900-EX:** CSA Approved for Hazardous Locations, Class I, Division 1. Low level switch is SPDT snap-action. Unit is designed for large volume crankcase, has 1/4" port for fast refill.

### How the LR maintains levels

Murphy Level Regulators (LR) maintain an engine's running oil level through the use of a very simple and unique valve system (Patented). By use of this Thumb-Valve™ system, only enough oil to make-up any current loss is metered into the crankcase. By its design the valve is anti-clogging and flow rates are sufficient for use as a crankcase filler after an oil change—this eliminates the chance of a damaging overfill by manual refilling.

If supply is lost and the engine continues to use oil, the LR's low level switch will activate an alarm and/or shutdown the engine.



## Technical Specifications: LR857—LR901—LR900-EX

**LR857:** Inlet connection 5/8 in. ID hose; Outlet connection 1/2 in. ID hose; Snap-Switch SPDT rating 5 A @ 120 VAC and 2 A resistive, 0.75 A inductive @ 6-36 VDC; 1/8 in. (3mm) orifice.

Dimensions: 9 in. (229 mm) x 5-1/2 in. (140 mm) x 6 in. (153 mm)

Weight: 3 lbs. 6 oz. (1.5 kg).

**LR901:** Inlet connection 1/2 in. ID hose; Outlet connection 1 in. ID hose; Switch rating Snap-Switch SPDT rating 5 A @ 120 VAC and 2 A resistive, 0.75 A inductive @ 6-36 VDC; 1/4 in. (6mm) orifice.

Dimensions: 11 in. (280 mm) x 9-1/4 in. (235 mm) x 8 in. (204 mm)

Weight: 6 lbs. 12 oz. (3.1 kg).

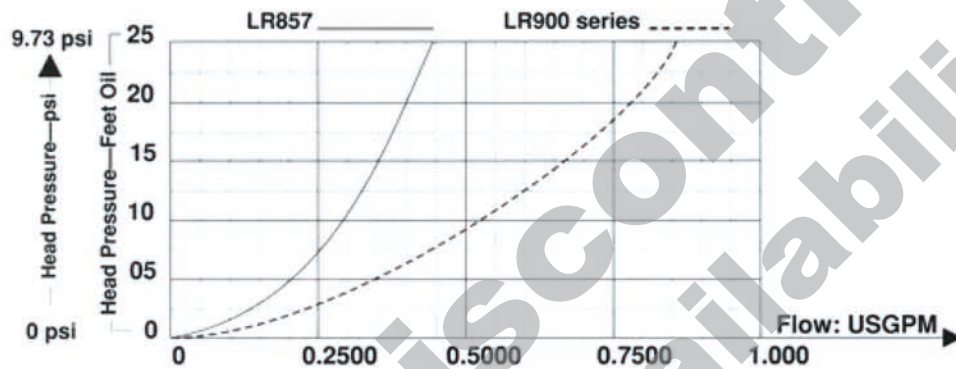
**LR900-EX:** Inlet connection 1/2 in. ID hose; Outlet connection 1 in. ID hose; Snap-Switch SPDT rating 10 A @ 120/240 VAC; 1/4 in. (6mm) orifice.

Dimensions: 11 in. (280 mm) x 9-1/4 in. (235 mm) x 8 in. (204 mm)

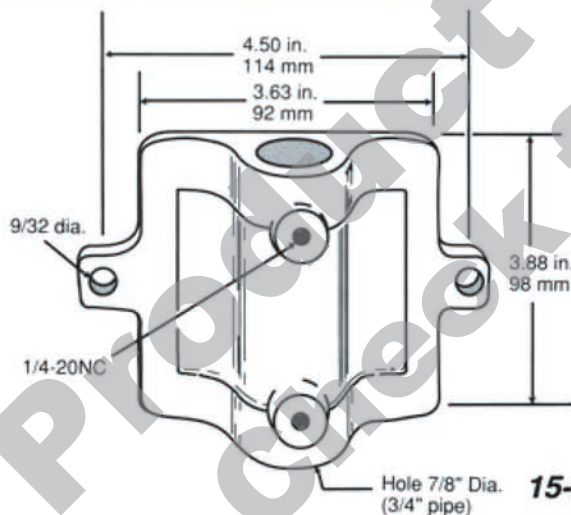
Weight: 8 lbs. 14 oz. (4.0 kg).

Maximum working pressure 10 psi. (All P/N's)

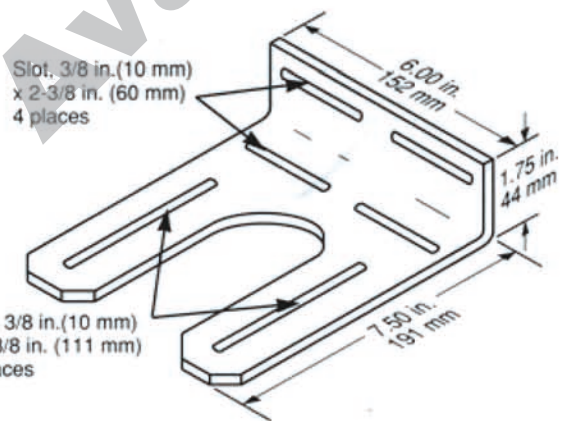
**Flow Rates:** Oil with 0.9 specific gravity @ 70°F



There are two methods for mounting the LR series level gages: a Murphy mounting bracket (15-01-0224) or with a pipe clamp (15-05-0795) supplied which fits a 7/8 in. pipe.



**15-05-0144 Mounting Bracket**  
(standard) LR857, LR901.



**15-01-0224 Mounting Bracket**  
(optional) LR857, LR901.

Specifications subject to change without prior notice.



**Frank W. Murphy Manufacturer**  
P.O. Box 470248; Tulsa, Oklahoma 74147; USA  
tel. (918) 627-3550 fax (918) 664-6146 tlx 492332

**Frank W. Murphy Southern Division**  
P.O. Box 1819; Rosenberg, Texas 77471; USA  
tel. (713) 342-0297 fax (713) 341-6006 tlx 762629

**Frank W. Murphy, Ltd.**  
22 Blackmoor Rd.; Verwood, Dorset BH31 6BD; U.K.  
tel. (0202) 827223 fax (0202) 827890 tlx 418388

**Frank W. Murphy Pte., Ltd.**  
26 Siglap Drive; Republic of Singapore 1545  
tel. (65) 241-3166 fax (65) 241-8382 tlx RS24108

**Frank W. Murphy France**  
31, rue Pasteur; 95870 Paris, France  
tel. (1) 30 762626 fax (1) 30 763989

**Murphy de Mexico, S.A. de C.V.**  
Francisco Zarco No. 115; Alamos, 78280 San Luis Potosi, S.L.P., Mexico  
tel. (52) 48164081 fax (52) 48129071

**Murphy Switch of California**  
P.O. Box 788; Palmdale, California 93550; USA  
tel. (805) 272-4700 fax (805) 947-7570

**Murphek Pty., Ltd.**  
1620 Hume Highway Campbellfield, Vic 3061 Australia  
tel. (61) 3-358-5555 fax (61) 3-358-5556