



Lube Level Maintainer


Model LM500-TF-ATEX

Installation Instructions

00-02-0745
2013-09-16
Section 78

Warranty - A limited warranty on materials and workmanship is given with this Murphy product. A copy of the warranty may be viewed or printed by going to <http://www.fwmurphy.com/warranty>.



 Ex ic IIC T5 Gc X -20°C < Ta < 85°C

NOTE: To use in an ATEX environment the metal vent cap must be left on or the LM500-TF-ATEX must be plumbed directly to the engine to meet IP54.

Please read the following information before installing:

- **DO NOT DISCONNECT WHILE ENERGIZED.**
- **POTENTIAL ELECTROSTATIC CHARGING HAZARD—WIPE UNIT WITH DAMP CLOTH ONLY.**
- **INTRINSIC SAFETY BARRIER IS REQUIRED.**

Entity parameters: $U_i=30$ V, $I_i=75$ mA, $C_i = 0$ μ H, $P_i = 0.6$ W

BEFORE BEGINNING INSTALLATION OF THIS MURPHY PRODUCT:

- A visual inspection of this product for damage during shipping is recommended before installation.
- It is your responsibility to ensure that qualified mechanical and electrical technicians install this product.
- Disconnect all electrical power to the machine.
- Make sure machine cannot operate during installation.
- Follow all safety warnings of the machine manufacturer.
- Read and follow all installation instructions.
- Please contact Enovation Controls immediately if you have any questions.

Table of Contents

General Information	1
Description	1
Dimensions	1
Operating the Range of the Snap Switch	2
Test Feature.....	2
Thumb-Valve™ Operation.....	2
LM500 Series Flow Rates	3
Service Parts (Specify part number)	3
Hose Kit: (P/N 15000355)	3
Typical Installation	4
Mounting the LM500-TF-ATEX	4
Pipe Bracket Mounting (PM) (P/N 15000518)	4
Universal Bracket Mounting (UB) (P/N 15000519).....	5
Base Mounting.....	5
Crankcase (Oil Pan) Mounting.....	5
Connecting Fittings and Hoses	6
Connecting the LM500 to an Oil Supply Tank.....	6
LM500-TF-ATEX Typical Installation.....	7
Specifications	7

THIS PAGE INTENTIONALLY LEFT BLANK

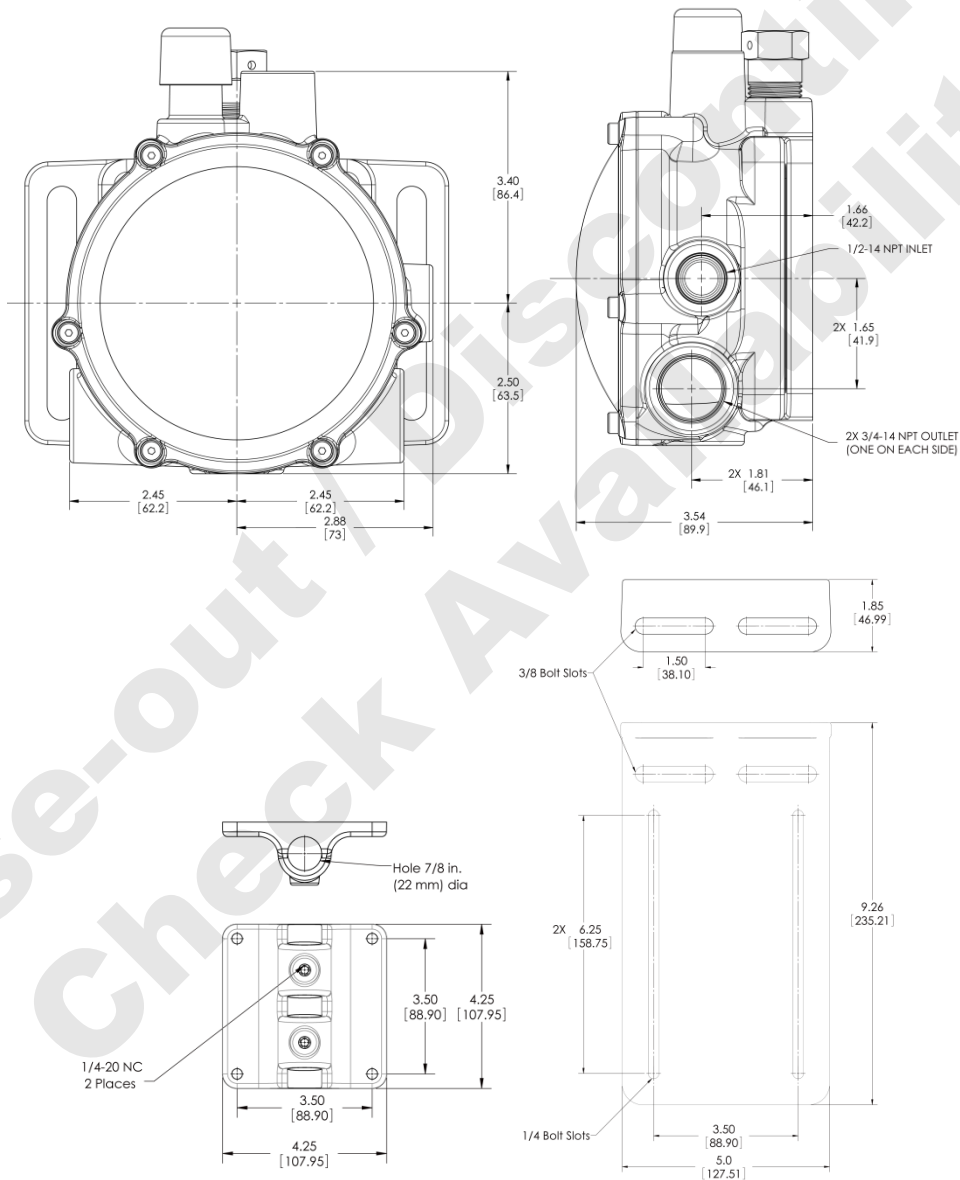
Phase-out / Discontinued
Check Availability

General Information

Description

The Murphy LM500-TF-ATEX model maintains the crankcase oil level of an engine, pump or compressor. Adjusted to the correct running-oil-level, the LM500 will replenish oil as it is used. The low-level switch will alarm and/or shutdown the equipment if the supply oil is lost and the equipment continues to use oil. The LM500-TF-ATEX model includes a test feature that confirms both the float and switch are operating correctly with a single press of the test button. Can be used in an ATEX environment (the metal vent cap must be left on or plumbed directly to the engine to meet IP54).

Dimensions



Pipe Mount

Universal Mount

Operating the Range of the Snap Switch

Figure 1 shows the LM500 dial and the operating range of the switch. If level is within the designated zones, the switch will activate.

The switch activates approximately ¼ in. (6 mm) from the bottom of the low zone. The dial in **Figure 1** shows that if the level continues to drop into the low-low zone, a shutdown will occur.

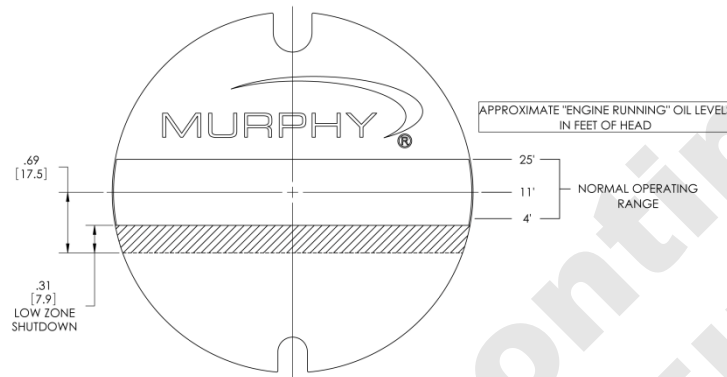


Figure 1

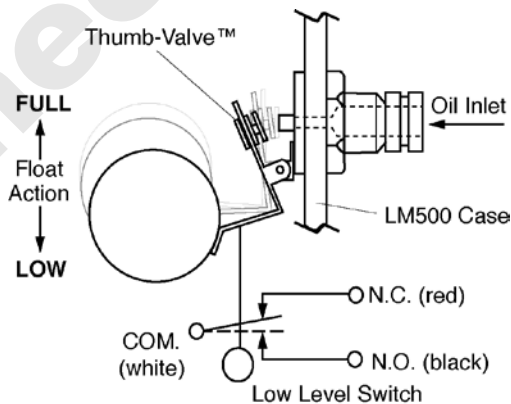
NOTE: color zones on dial face show approximate normal operating zones. Actual conditions may vary depending upon operating characteristics of the engine. Placement of the LM500-TF-ATEX according to the above instructions will compensate for these conditions.

Test Feature

The form C (3-wire) contact allows a controller/annunciator to be wired as a closed loop system, resulting in a reliable fault-sensitive circuit.

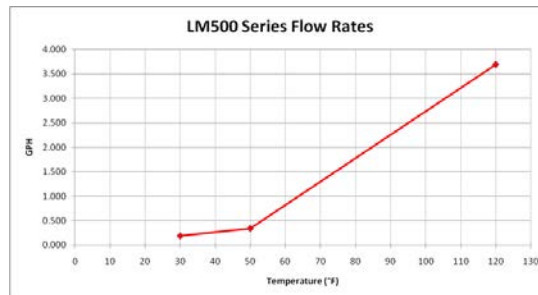
Thumb-Valve™ Operation

As the equipment uses oil, the float falls, providing immediate level compensation. At FULL position, the float holds the valve closed. If the clean oil supply is depleted and oil level continues to fall, the low level switch will operate an alarm or equipment shutdown.



LM500 Series Flow Rates

LM500 Series Flow Rates are based on SAE 40 motor oil @2 ft. head pressure. Friction losses due to piping are not considered.



Service Parts (Specify part number)

Description	Part Number
Hose Kit	15000355
1/2 NPT x 1/2 in Hose Barbed Fitting	89080801
3/4 NPT x 1/2 in Hose Barbed Fitting	89081001
Pipe Bracket Kit	15000518
Universal Mounting Bracket Kit	15000519

Hose Kit: (P/N 15000355)

Quantity	Description
1	1/2 in (13 mm) I.D. x 3ft. (914 mm) long hose.
1	1 in (25 mm) I.D.x 3 ft (914 mm) long hose.
2	1/2 in (13 mm) worm gear clamp
2	1 in. (25 mm) worm gear clamp
2	1/2 NPT x 1/2 in. (13 mm) barbed fitting

Typical Installation

Mounting the LM500-TF-ATEX

NOTE: Mount the LM500 as close as possible to the crankcase.



CAUTION: Excessive vibration can cause overflow. Be sure mounting brackets are supported.

The following instructions are based on the use of the pipe and universal mounting brackets shown on page 1.

Pipe Bracket Mounting (PM) (P/N 15000518)

1. Mount a nominal 1/2 in. (13 mm) diameter pipe to the base of the engine.
2. Install the pipe bracket to the LM500 using two 1/4-20 UNC x 3/4 in bolts; nuts and lock washers supplied. See Figure 2A.
3. Slip the LM500 onto the pipe and install the two adjustment bolts. Each bolt consists of a 1/4-20 UNC x 3/4 in. bolt, nuts and lock washers. See Figure 2B. **DO NOT** tighten the adjustment screws too tight as height adjustment might be needed later during the operation. Refer to “Connecting Fittings and Hoses”, for more information regarding height adjustment of the LM500 in alignment with the oil level in the crankcase.

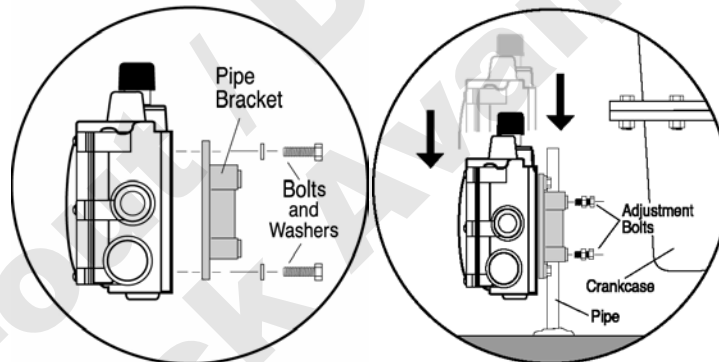


Figure 2A

Figure 2B

Universal Bracket Mounting (UB) (P/N 15000519)

The universal bracket has two mounting methods: base mounting or pan mounting.

Base Mounting

1. Install the universal bracket to the base as shown in Figure 3A using two flat washers and two 5/16 inch dia. bolts or others as necessary.
2. Mount the LM500 to the universal bracket using two 1/4-20 UNC x 3/4 inch (19.05mm) bolts; nuts and lock washers supplied (Figure 3B). **DO NOT** tighten the adjustment screws too tight as you will have to adjust the LM500 later in the installation process. Refer to "Connecting Fittings and Hoses" for information regarding height adjustment of the LM500 in alignment with the oil level in the crankcase.

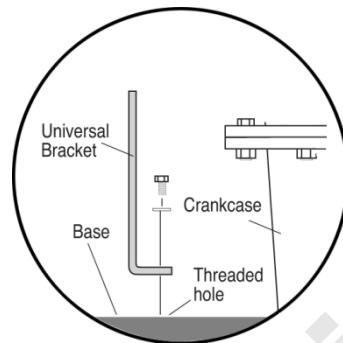


Figure 3A

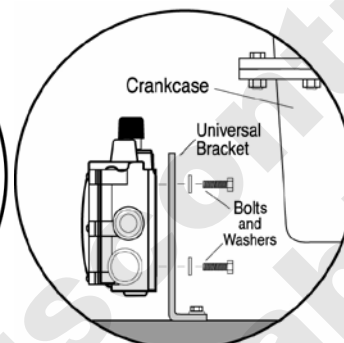


Figure 3B

Crankcase (Oil Pan) Mounting

1. Install the universal bracket to the crankcase using the existing crankcase bolts (Figure 4A). Crankcase bolt diameter must be no larger than 7/16 inch (11 mm).

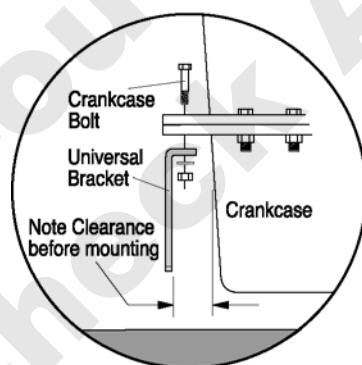


Figure 4A

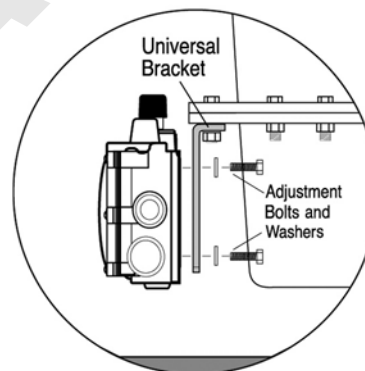


Figure 4B

NOTE: Check clearance between crankcase and mounting bracket before installing the mounting bracket. If space between the crankcase and mounting bracket is narrow, attach LM500 to mounting bracket prior to installation on crankcase.

2. Mount the LM500 to the universal bracket using two 1/4-20 UNC x 3/4 (19.05 mm) inch bolts, nuts and lock washers supplied. **DO NOT** tighten the adjustment bolts too tight as height adjustment might be needed later during the operation. Refer to "Connecting Fittings and Hoses" for information regarding height adjustment of the LM500 in alignment with the oil level in the crankcase.

Connecting Fittings and Hoses

The following instructions are based on the Murphy hose kit described on page 3.

1. Install the LM500 fittings in their proper locations

NOTE: Apply a sealant such as Teflon®, to all threaded pipe connections.

2. Attach the 1 inch (25 mm) diameter, flexible monitoring hose to the crankcase and the monitoring port on the LM500. See Figure 5.



CAUTION: The hose must slope slightly downward from the LM500 and MUST NOT have any droops or low spots.

NOTE: if the drain plug on the crankcase is used for the connection, it is recommended that a tee be installed to allow draining of the crankcase for service.

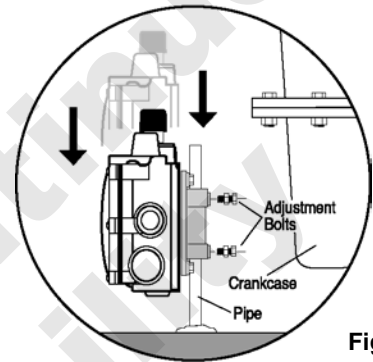


Figure 5

3. Install the 1/2 inch (13 mm) I.D. x 3 ft (914 mm) hose to the vent connection on the LM500 and to vent connection on the crankcase. See Figure 6. **The vent connection on the crankcase must be well above the regulated oil level.** All hoses must be clear of obstructions, valleys, or dips that could create liquid traps, or gas/air pockets. The vent and crankcase connections should be as straight as possible. **BEFORE CONTINUING, VERIFY THAT ALL HOSE CLAMPS ARE TIGHT.**

4. Fill the crankcase to the proper oil level.

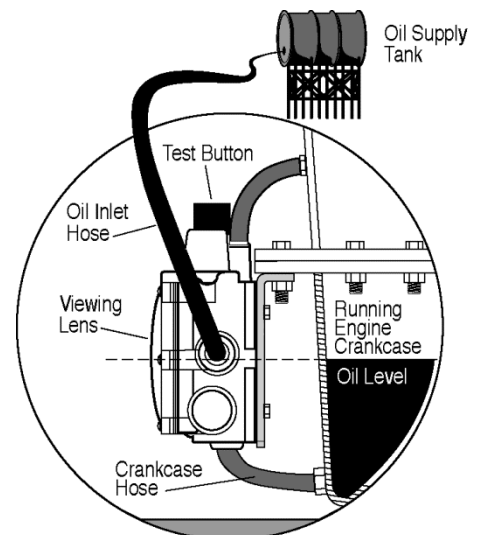


IMPORTANT: With the engine running and warm, loosen the mounting bracket adjustment bolts and adjust the LM500 so that the oil level in the sight gauge is aligned with the middle of the green bar on the dial (see example, Figure 5).

5. Tighten the adjustment bolts securely.

Connecting the LM500 to an Oil Supply Tank

1. Remove the plug from the oil inlet connection. Be sure the removable screen, inside the connection, is clear of debris. Install the oil inlet connection.
2. Connect a 1/2 in I.D. (13 mm) or larger hose to the oil inlet fitting on the LM500 and to the shutoff valve on the oil supply tank. See Figure 7. Recommended minimum height above the LM500 is 2 ft. (0.6); maximum 25ft (7.7 mm). The hose must maintain a downward slope and not have low spots or droops. Maximum head pressure rating is 9.50 psi or 25 ft. oil (head pressure).
3. Before filling the supply tank with oil, be sure the tank is clean and dry and the shutoff valve is closed. Also, be sure all hoses and clamps are tight. Fill the tank with CLEAN oil.



WARNING: Overfill condition can be caused by excessive inlet pressure and/or improper “vent-to-crankcase” installation.

NOTE: To use in an ATEX environment, leave metal vent cap on or plumb directly to the engine to meet IP54.

4. After oil supply tank is full, open the shutoff valve.

Next, make the proper electrical connections for the application. (See snap switch ratings on page 8 and schematic on page 3.)

LM500-TF-ATEX Typical Installation



WARNING: Perform this installation using appropriate protection. Trapped air and hot oil may cause burns.

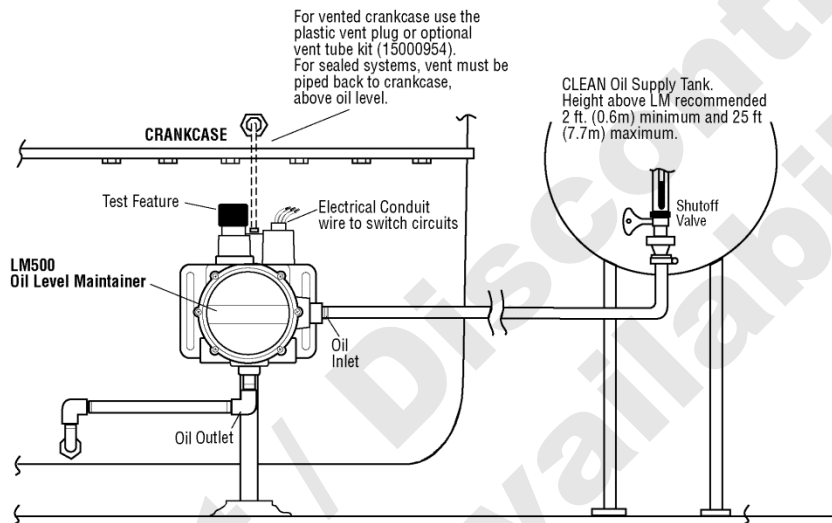


Figure 7

Specifications

Crankcase Balance Vent Connection: 1/2 NPTF (top)

ATEX Rating: Ex ic IIC T5 GC X -20°C < Ta < 85°C

Inlet Connection: 2 x 1/2 NPTF (side)
1 x 1/2 NPTF (bottom)

Outlet Connection:

2 x 3/4 NPTF (sides)

1 x 3/4 NPTF (bottom)

Thumb-Valve™ Material: Viton

Snap-switch: SPDT rating 75 mA@30 VAC/VDC Max

Wire leads: 18 AWG x 15 in ± 1 in (355 mm) length.

Conduit Connection: 1/2 inch conduit (female, top).

Case: Die cast aluminum

Lens: Clear "Frog Eye" non-staining, high impact, high temperature nylon; UV and heat stabilized.

Dial: High visibility white background with solid green band for normal level indication.

Maximum Inlet Pressure: 9.50 psi/25 ft. oil (head pressure).

Maximum Differential: 2 in (51mm) between running and stopped.

ATEX Operating Temperature: -20°C (-4°F) to 85°C (185°F).

Float: 304 Stainless Steel

Flow Rates: Refer to Flow Rate Chart on page 3.

In order to consistently bring you the highest quality, full-featured products, we reserve the right to change our specifications and designs at any time. MURPHY products and the Murphy logo are registered and/or common law trademarks of Enovation Controls, LLC. This document, including textual matter and illustrations, is copyright protected by Enovation Controls, LLC, with all rights reserved. (c) 2013 Enovation Controls, LLC. A copy of the warranty may be viewed or printed by going to <http://fwmurphy.com/warranty>.

ENOVIATION CONTROLS CORPORATE HEADQUARTERS

5311 S 122ND EAST AVENUE
TULSA, OK 74146

ENOVIATION CONTROLS – SAN ANTONIO OFFICE

5757 FARINON DRIVE
SAN ANTONIO, TX 78249

ENOVIATION CONTROLS – HOUSTON OFFICE

105 RANDON DYER RD
ROSENBERG, TX 77471

ENOVIATION CONTROLS – UNITED KINGDOM

CHURCH ROAD LAVERSTOCK
SALISBURY SP1 1QZ UK

MURPHY ECONTROL TECHNOLOGIES (HANGZHOU) CO, LTD.

77 23RD STREET
HANGZHOU ECONOMIC & TECHNOLOGICAL DEVELOPMENT AREA
HANGZHOU, ZHEJIANG 310018 CHINA

DOMESTIC SALES & SUPPORT

ECONTROL PRODUCTS

PHONE: 210 495 9772
FAX: 210 495 9791
EMAIL: INFO@ECONTROLS.COM
WWW.ECONTROLS.COM

MURPHY PRODUCTS

PHONE: 918 317 4100
FAX: 918 317 4266
EMAIL: SALES@FWMURPHY.COM
WWW.FWMURPHY.COM

MURPHY CONTROL SYSTEMS & SERVICES

PHONE: 281 633 4500
FAX: 281 633 4588
EMAIL: CSS-SOLUTIONS@FWMURPHY.COM

MURPHY INDUSTRIAL PANEL DIVISION

PHONE: 918 317 4100
FAX: 918 317 4124
EMAIL: IPDSALES@FWMURPHY.COM

INTERNATIONAL SALES & SUPPORT

UNITED KINGDOM

PHONE: +44 1722 410055
FAX: +44 1722 410088
EMAIL: SALES@FWMURPHY.CO.UK
WWW.FWMURPHY.CO.UK

CHINA

PHONE: +86 21 6237 5885
FAX: +86 21 6237 5887
EMAIL: APSALES@FWMURPHY.COM

LATIN AMERICA & CARIBBEAN

PHONE: 918 317 2500
EMAIL: LASALES@FWMURPHY.COM

SOUTH KOREA

PHONE: +82 70 7951 4100
EMAIL: SKOREASALES@FWMURPHY.COM

INDIA

PHONE: +91 91581 37633
EMAIL: INDIASALES@FWMURPHY.COM

ISO 9001
REGISTERED



USA (TULSA) - ISO 9001:2008 FM 28221
USA (ROSENBERG) - ISO 9001:2008 FM 28221
UK - ISO 9001:2008 FM 29422
CHINA - ISO 9001:2008 FM 52385
Registered Facilities

Printed in the USA