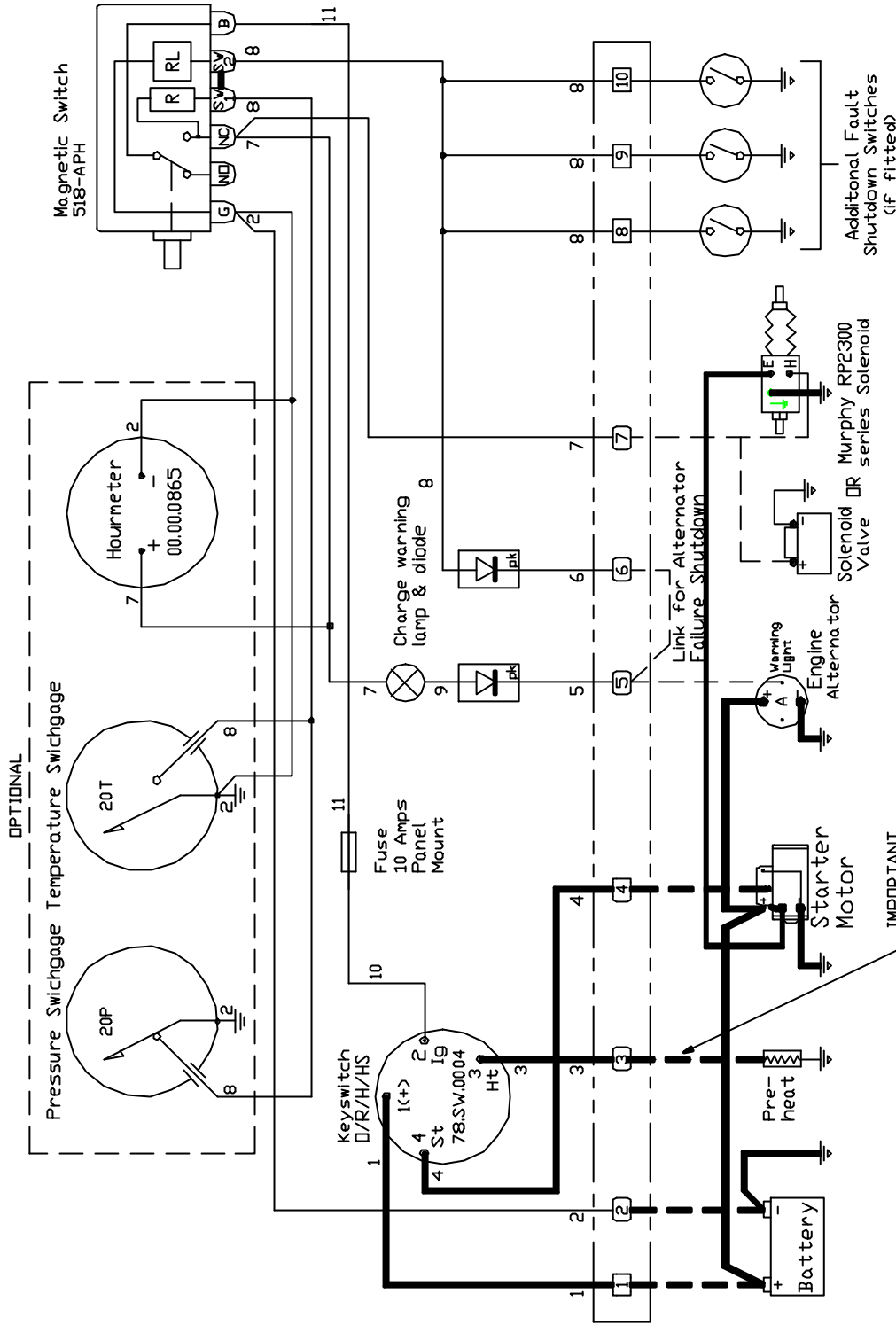


IF IN DOUBT ASK



Typical Engine Wiring Shown
This may vary according to
electrical equipment fitted

IMPORTANT
Max Current Rating 15A.
If Heater Current exceeds
15A, suitable Relay must
be fitted.

PANEL WIRING
50/0.25 Tri-rated
16/0.2 tri-rated
LAST WIRE NUMBER 11



SWITCHGEAR HOUSE, CHURCH ROAD, LIVERSTOCK,
WALSINGHAM, DURHAM, ENGLAND, SP1 1JZ.
TELEPHONE +44 1728 410055
FAX +44 1728 410088
e-mail SALES@MURPHY.CO.UK
Visit Our Web Site At -
WWW.FMURPHY.CO.UK

C	Gauges optional (std panel)	28/09/00	PAG
B	Text Added	31/03/99	DPE
A	Changes as AMN1 1365, & change k/s to 78.SW.0004	23/9/95	PAG
REVISION DETAILS		DATE	NAME

MAT.	N/A
FINISH	N/A
SCALE	NTS
DRAWN	PAG
DATE	16/8/95

Tolerancing	
Linear dimensions in mm	
0.5 to 6	±0.1
6 to 30	±0.2
30 to 120	±0.3
120 to 315	±0.5
315 to 1000	±0.8
1000 to 2000	±1.2
2000 to 4000	±2

TITLE	DIAGNOSTIC
	CENTRE 12/24V
	DRAWING No
	4E1512