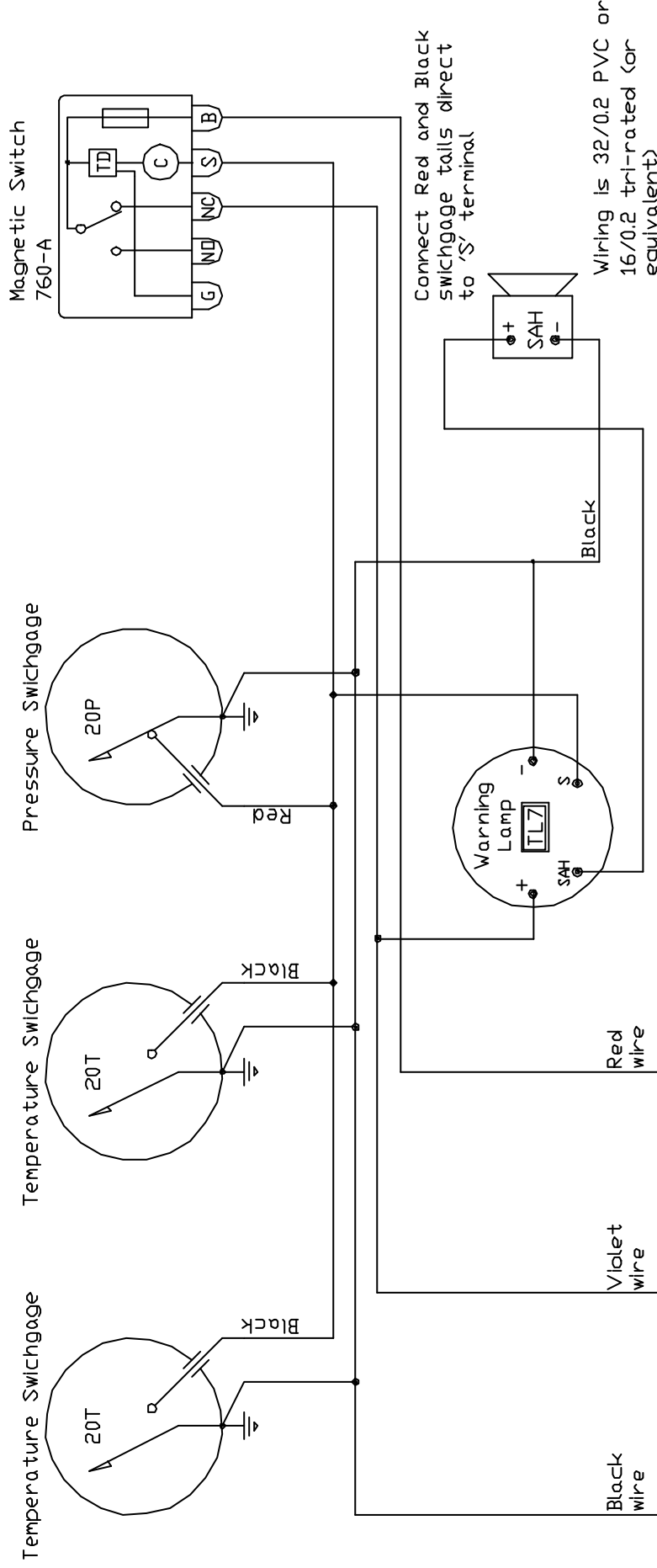


IF IN DOUBT ASK



Cut off terminal marked 'PULSE' from back of SAH unit  
 Use only insulated receptacles, 9112.0404, on TL7 terminals  
 Ensure TL7/SAH terminals do not foul switchgages

- 3 off male bullet connectors (68.BT.0040) crimped to leads from panel, length 20cm
- 3 off female bullet connectors (68.BT.1040) attached for customer wiring

**FRANK V. MURPHY LTD**  
 SWITCHGAGE HOUSE  
 CHURCH ROAD, LAVERSTOCK  
 SALISBURY, ENGLAND, SP1 1QZ  
 TELEPHONE 01722 410055  
 FAX 01722 410088  
 TELEX 477088

REVISION	DETAILS	DATE	NAME

MAT.	n/a
FINISH	n/a
SCALE	n/a
DRAWN	P. GILBEY
DATE	20/10/97

TITLE	WD277
Circuit	Diagram
DRAWING No	TE3154

Customer

Murphy works order number