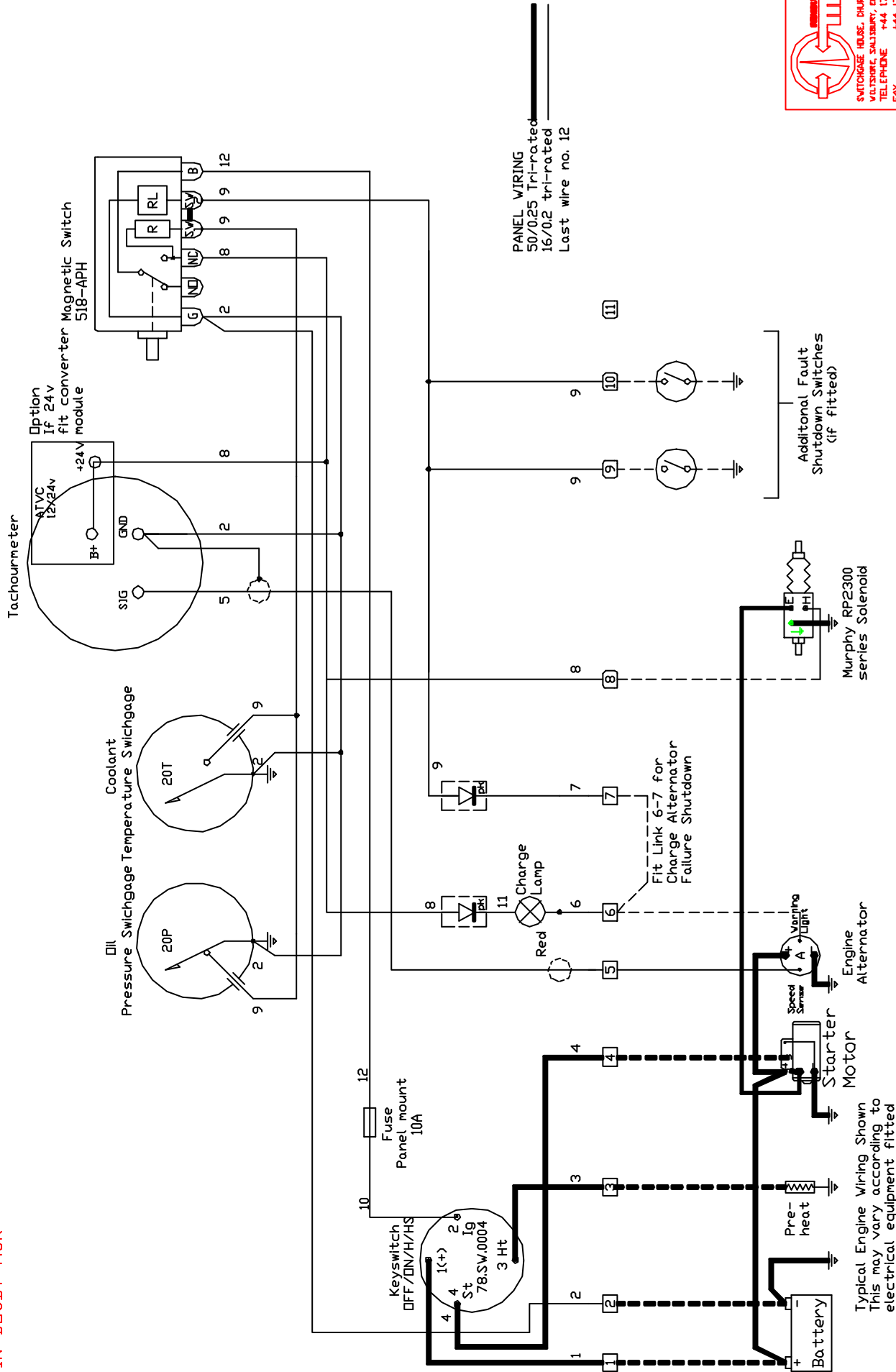


IF IN DOUBT ASK



SWITCHGEAR HOUSE, DALROCH ROAD, LIVERKOPH,
MILTONKES, SALISBURY, WILTSHIRE, SP. 102.
TELEPHONE 444 1722 41055
FAX 444 1722 41088
e-mail sales@f.murphy.co.uk
Visit Us - Web Site At -
WWW.F.MURPHY.CO.UK

TITLE
DIAGNOSTIC
CENTRE 12/24V
DRAWING No
6E5930

Tolerancing		
Linear dimensions in mm	Nominal dimensions	mm
0.5 to 6	±0.1	±0.2
6 to 30	±0.3	±0.5
30 to 120	±0.8	±1.2
120 to 315	±1.2	±2
315 to 1000	±2	±3
1000 to 2000	±3	±5

MAT.	N/A
FINISH	N/A
SCALE	N/A
DRAWN	DPE
DATE	15/05/00

A	Terminal wiring standardised	9/8/01	GR
REVISION DETAILS		DATE	NAME

Typical Engine Wiring Shown
This may vary according to
electrical equipment fitted