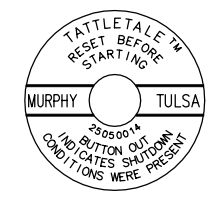
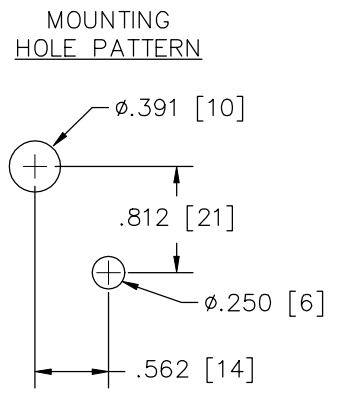
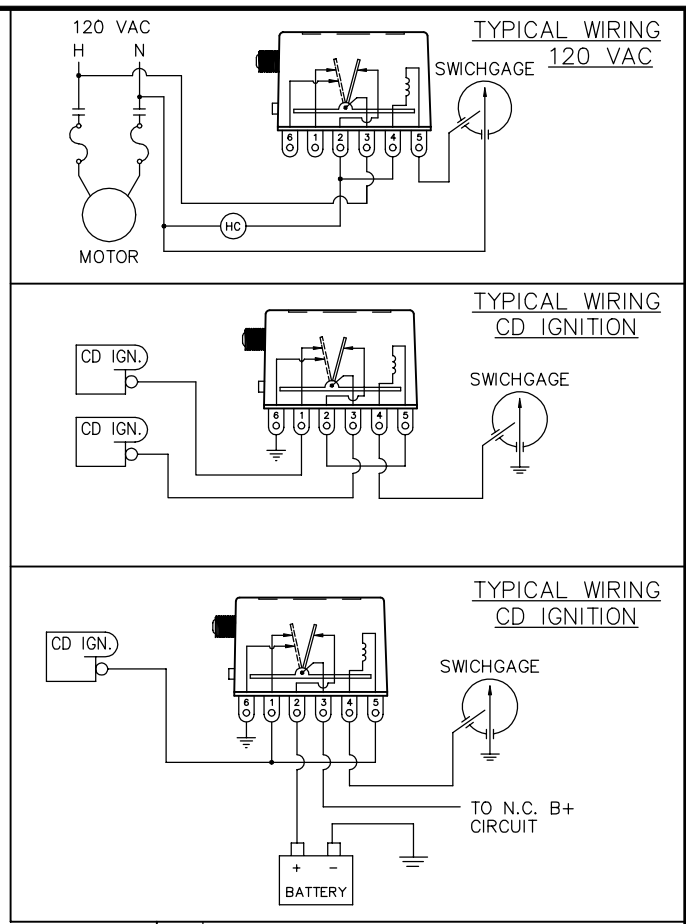


SPECIFICATIONS:
 BASE: SYNTHANE
 CASE: POLYCARBONATE
 CONTACT RATING: 10 AMPS, 120 VAC
 COIL RATING: 120 VAC OR CD IGNITION
 COIL RESISTANCE: 288 ohms ± 10%
 MINIMUM TRIP VOLTAGE: 32 VDC
 MINIMUM TRIP CURRENT: 111 mA
 OPERATING TEMPERATURE RANGE: -40 TO 176°F
 (-40 TO 80°C)

NOTES:
 1. ALL DIMENSIONS IN [] ARE MILLIMETERS.



INSTRUCTION PLATE



B	REVISED TERMINALS PICTORIALLY		
	1/4/02	JAD	ER02-0003 JAD
REV.	CHANGES MADE		
DRAWN BY: JAD		E.R.NO.01-0744	
DATE: 8/30/01	CHKD. BY: JAD	APPD. BY: WH	
MODEL: MS2100			
DRAWING NO. 25-02-0265		SIZE B	REV. B