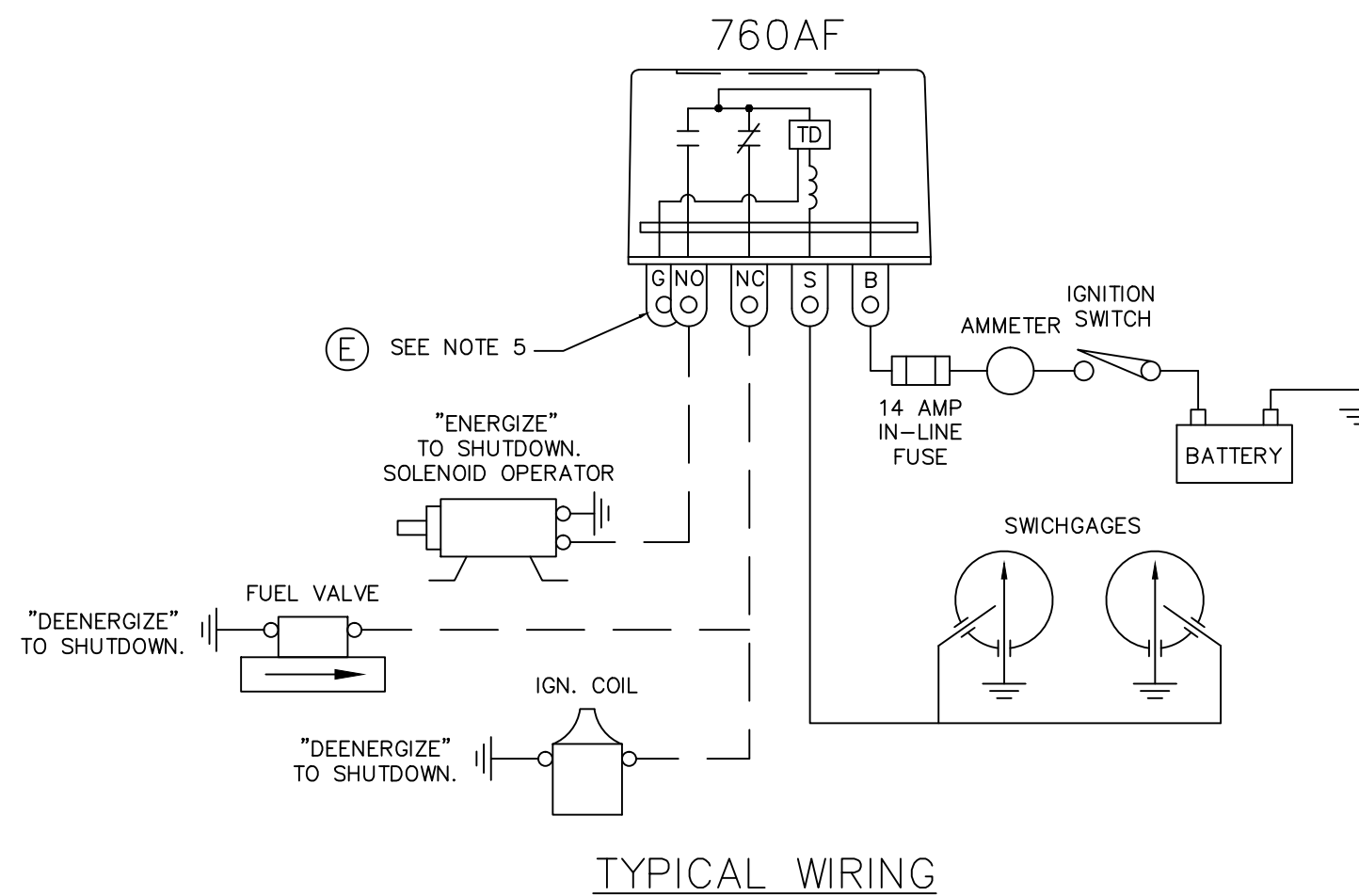
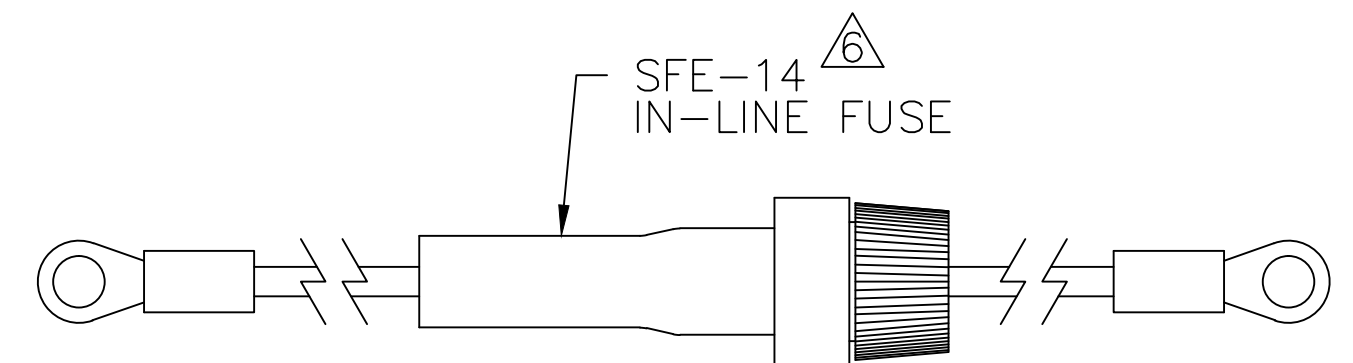


SPECIFICATIONS:

BASE: SYNTHANE
CASE: POLYCARBONATE
CONTACT RATING: 10 AMPS
COIL RATING:
COIL RESISTANCE: 90 ohms ± 10% (12 V DC)
190 ohms ± 10% (24 V DC)
MINIMUM TRIP VOLTAGE: 11.5 V DC (12 V DC)
22 V DC (24 V DC)
MINIMUM TRIP CURRENT: 130 mA (12 V DC)
125 mA (24 V DC)
OPERATING TEMPERATURE RANGE: -40 TO 176°F
(-40 TO 80°C)
TIME DELAY TOLERANCE 15 SEC. - 12 TO 18 SEC.
30 SEC. - 27 TO 33 SEC.
60 SEC. - 54 TO 70 SEC.

- NOTES:**
1. DIMENSIONS IN [] ARE MILLIMETERS.
 2. AVAILABLE IN 12 OR 24 V DC. (SPECIFY)
 3. 30 SEC. TIME DELAY IS STANDARD, 15 OR 60 SEC. TIME DELAYS ARE AVAILABLE. (SPECIFY)
 4. ELECTRICALLY TRIPPED, RESET BY KEY SWITCH, OR LOSS OF SHUTDOWN SIGNAL.
 5. FOR TIME DELAY ON START ONLY AND IMMEDIATE STOP. GROUND TERMINAL "G".

Ⓢ NOTE: THE 760AF CANNOT BE ADEQUATELY PROTECTED BY A CIRCUIT BREAKER IN A DEAD SHORT CONDITION WITH A BATTERY AS THE POWER SOURCE. THE CIRCUIT BREAKER WILL TAKE A FINITE AMOUNT OF TIME TO REACT, DURING WHICH TIME THE CIRCUIT BOARD WILL BE DAMAGED BEYOND REPAIR. FUSES ARE THE OPTIMAL METHOD OF PROTECTING THE 760AF.



G	ADDED NOTE 6	/11.13.12/RRA/10740
F	ADDED "OR LOSS OF SHUTDOWN SIGNAL" TO NOTE #4	
	DCN #1748 (DPMc)(12-03-03)	DMc
E	REMOVE NOTE 3, ADD NOTE 5	
REV.	(9/19/96) MLM (ER#96-1068) MM	CHANGES MADE



DRAWN BY: CA		E.R.NO. 5699	
DATE: 1/12/89	CHKD. BY: PLe	APPD. BY: PLe	
MODEL: 760AF			
MAGNETIC SWITCH			
DRAWING NO.	SHEET OF	SIZE	REV.
25-02-0203		C	G