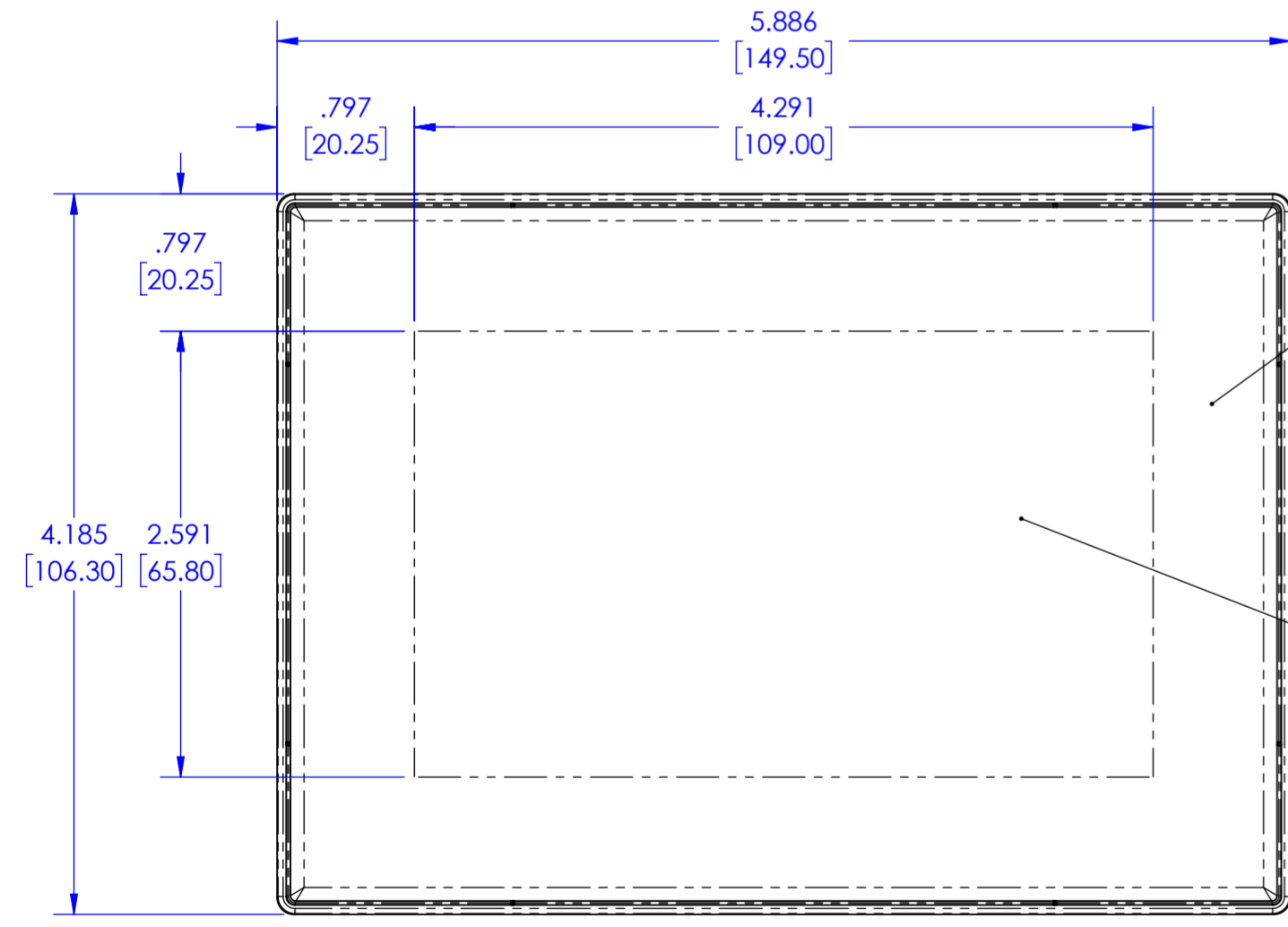
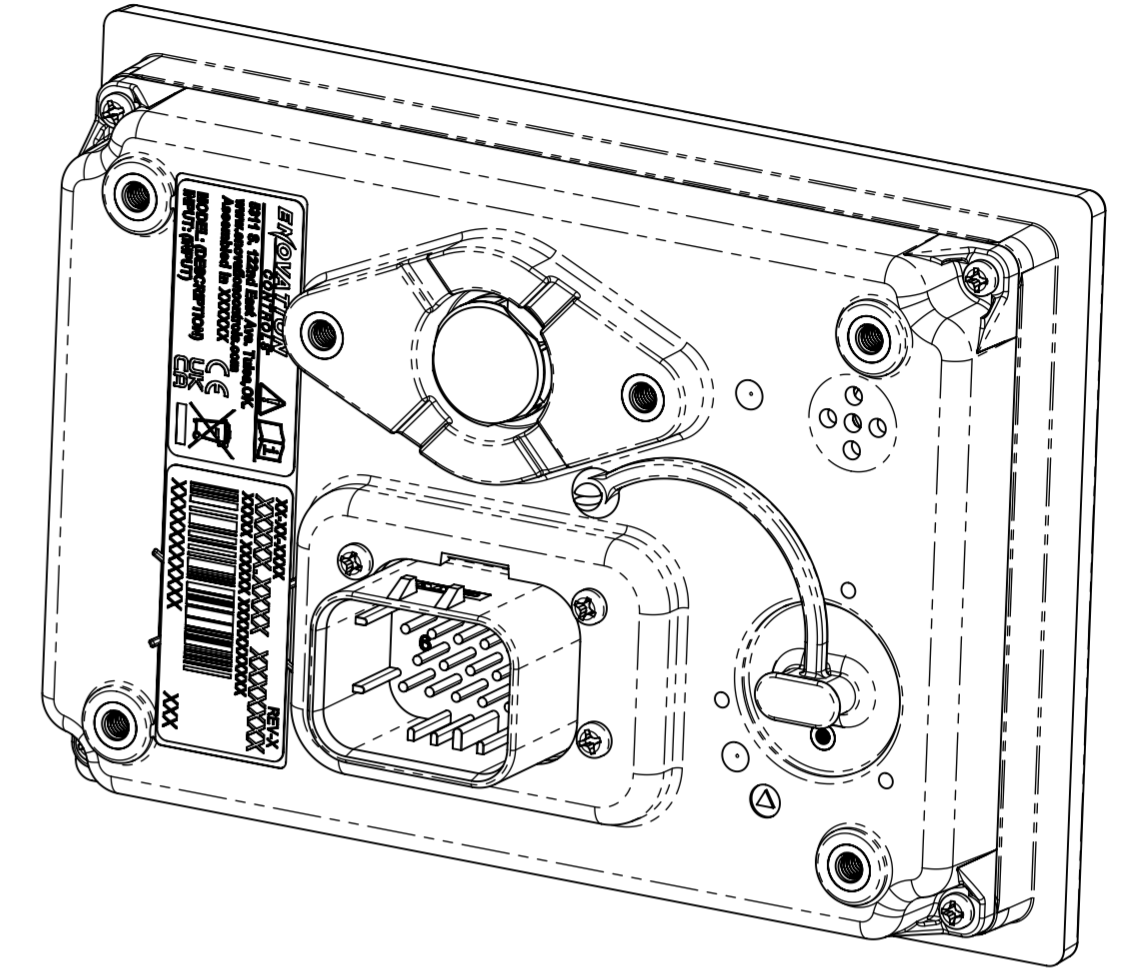
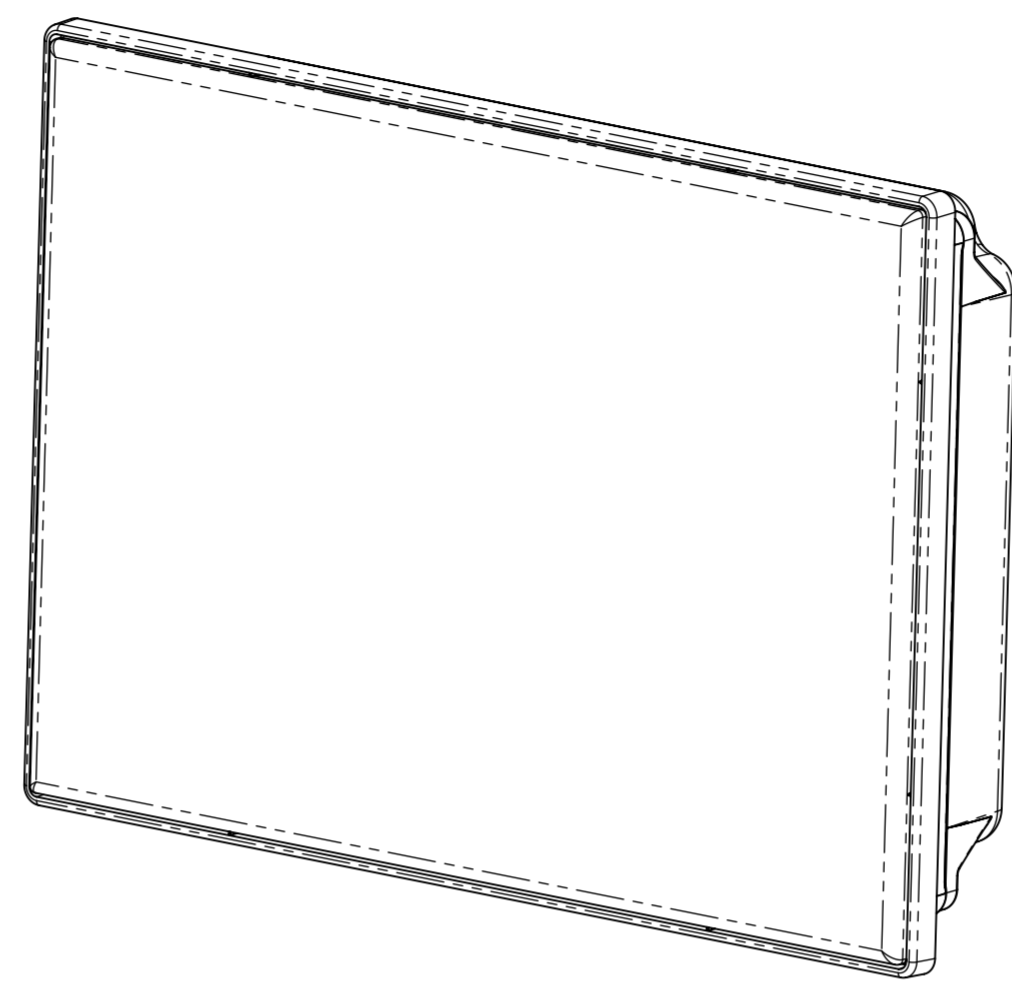
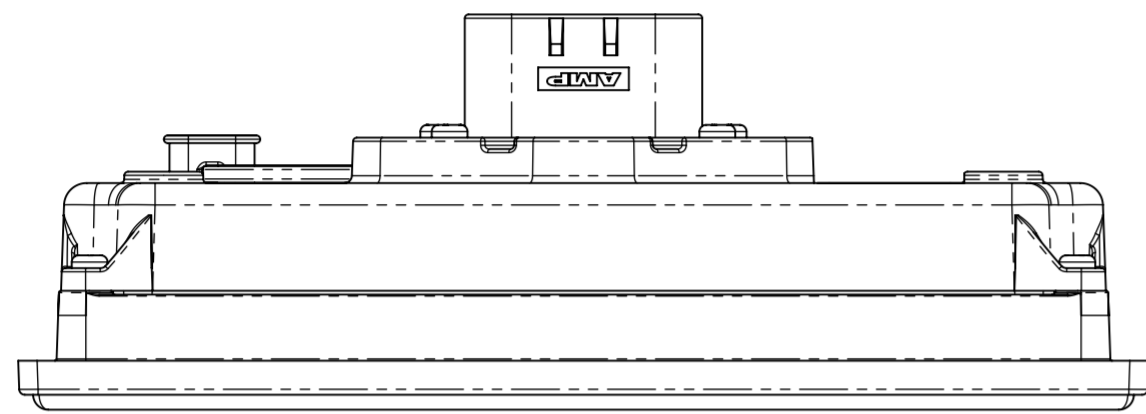
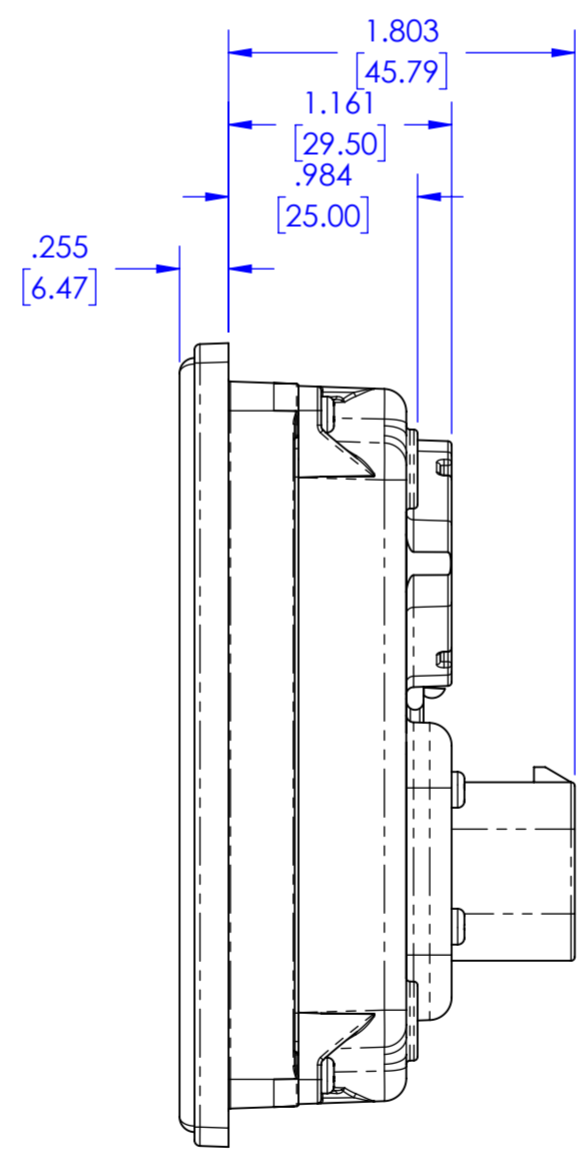


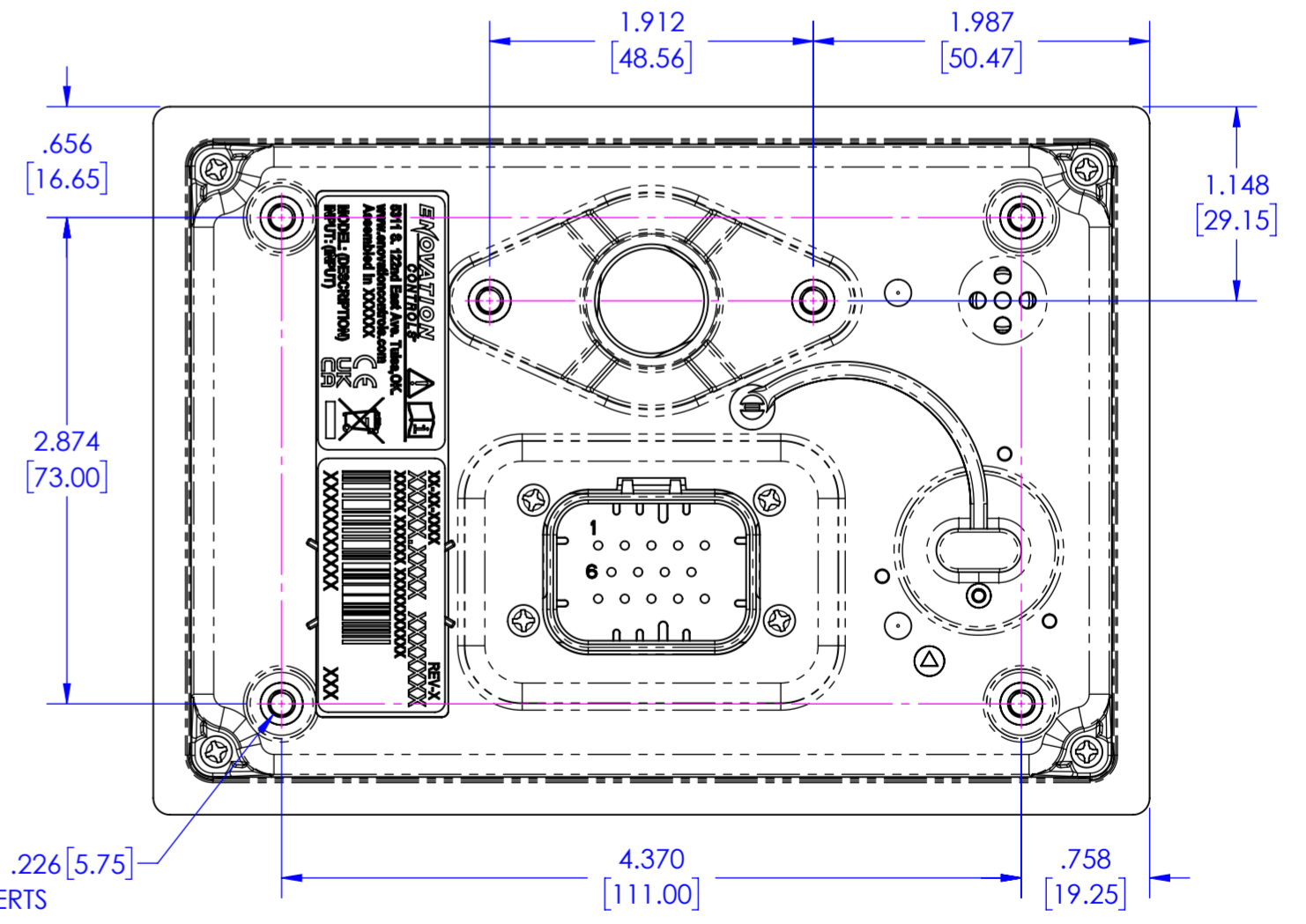
ZONE		REV.	ECO#	DESCRIPTION	DATE [YYYY.MM.DD]	BY	APPVD
-	A-		C05804	INITIAL PRODUCTION RELEASE	2023.06.23	JP	LB



NON-VIEWABLE AREA
VIEWABLE AREA



6X M4X0.7 - 6H ∇ .226 [5.75]
BRASS INSERTS



- NOTES:
- ALL DIMENSIONS ARE FOR REFERENCE ONLY.
 - SEE SHEET 2 FOR PRODUCTION SPECIFICATIONS.
 - SEE SHEET 3 FOR PIN-OUTS.
 - SEE SHEET 4 FOR PANEL CUTOUT DIMENSIONS.

SPECIAL CHARACTERISTICS AND SYMBOLS (SEE ENOVATION CONTROLS QUALITY MANUAL FOR MORE INFORMATION)	
◇	KEY PRODUCT CHARACTERISTIC (KPC)
□	SIGNIFICANT CHARACTERISTIC (SC)
⊗	SAFETY/COMPLIANCE CHARACTERISTIC (SCC)

DIMENSIONING AND TOLERANCING PER ASME Y14.5 - 2009 APPLY. UNLESS OTHERWISE SPECIFIED		SHALL MEET REQUIREMENTS OF ENC 4E00711 ENVIRONMENTAL COMPLIANCE SPECIFICATION		INCH DO NOT SCALE DRAWING		ENOVATION CONTROLS	
Tolerances Inch: X ± .1 XX ± .03 XXX ± .010		Tolerances Metric: X ± 2 XX ± 7 XX ± 25		PRODUCE PART FROM CAD MODEL 78020140.SLDASM			
MATERIAL: -		FINISH: -		PART NUMBER 78020140		DRAWING NUMBER 78020140	
				SCALE 1:1 AND NOTED		SHEET SIZE A2	
				SHEET 1 OF 4		REVISION A-	

PRODUCT SPECIFICATIONS

COMPUTING

PROCESSOR

2X 650Mhz Arm Cortex A7 + GPU (OS/Graphics)

COPROCESSOR

1X 200Mhz Arm Cortex M4 (Real time control)

STORAGE

4GB eMMC flash for operating systems and applications

RAM

512MB, 16 Bit

GRAPHICS

Integrated graphics processor

ELECTRICAL/ENVIRONMENTAL

OPERATING VOLTAGE

6-36 VDC, Reverse polarity protected

OPERATING TEMPERATURE

-4°F to 158°F [-20°C to 70°C]

STORAGE TEMPERATURE

-22°F to 158°F [-30°C to 70°C]

PROTECTION

IP65

VIBRATION

IEC 60068-2-64

SHOCK

IEC 60068-2-27

EMC/EMI

ISO 14982:2009, ISO 13766:2018

INTERFACES

CAN

1 CAN

SERIAL

USB-C, RS-485

WIFI

802.11 b/g/n

BLUETOOTH

Bluetooth V4.2 + EDR BR/EDR and Bluetooth LE specification

INPUTS

2X Resistive (0-5V), 2X Dig/Ana (0-36V)

OUTPUTS

2X 500 mA Low-side

USB

USB Type-C with Locking Connector

DISPLAY/HMI

SCREEN

5-inch, RGB IPS LCD W/ LED Backlight 24bit color

RESOLUTION

800 X 400

CONTRAST RATIO/BRIGHTNESS

800:1, 720 cdm²

TOUCH PANEL

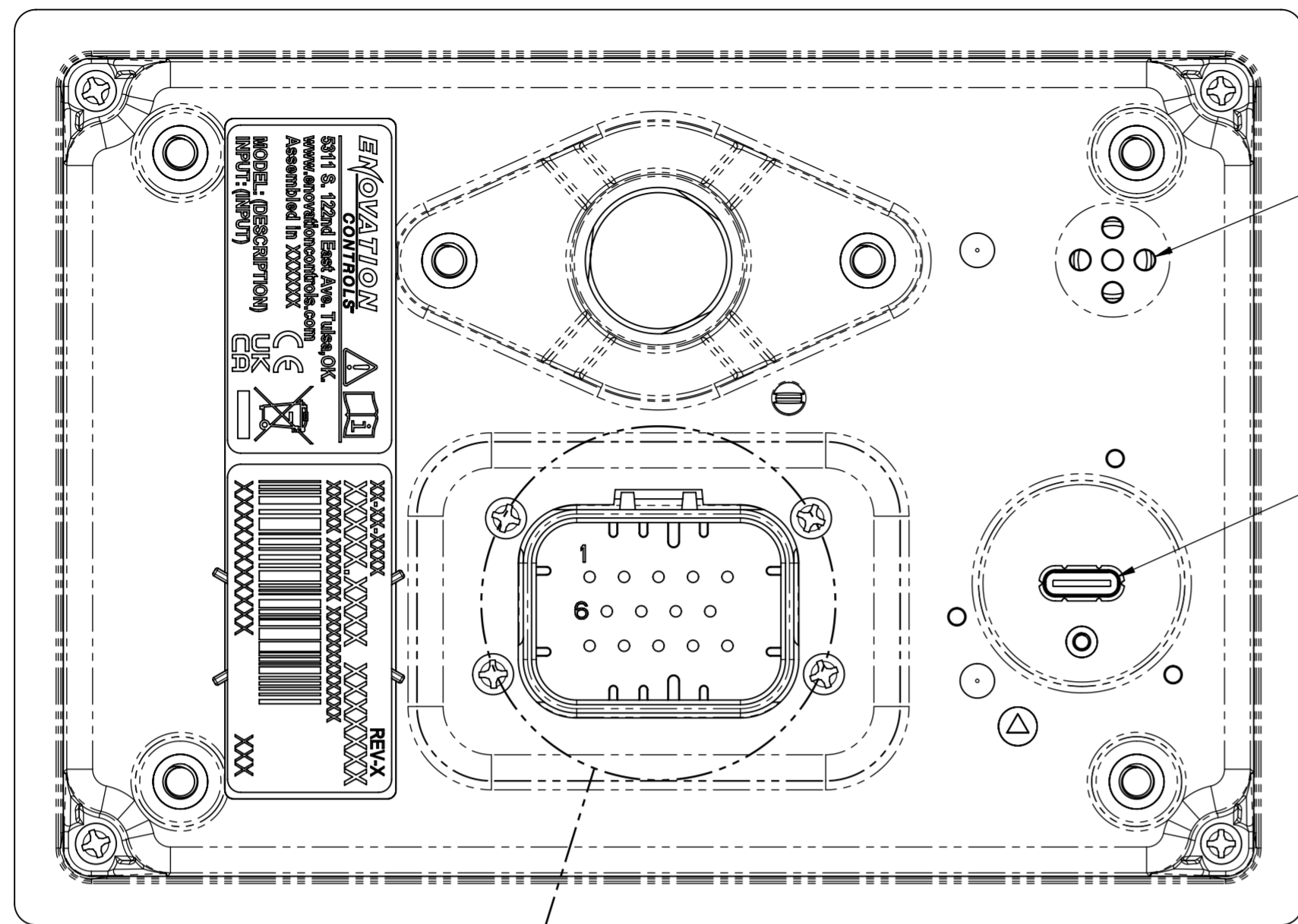
Projected capacitive (PCAP) with glove touch

BUZZER

For alarms and notifications. 80dB, Adjustable frequency

DESCRIPTION			
TECHNICAL DRAWING, OV-S50-TCA0-L			
PART NUMBER	DRAWING NUMBER	REVISION	
78020140	78020140	A-	
CAD FILE	SCALE	SHEET SIZE	SHEET
78020140.SLDASM	1:1 AND NOTED	A2	2 OF 4

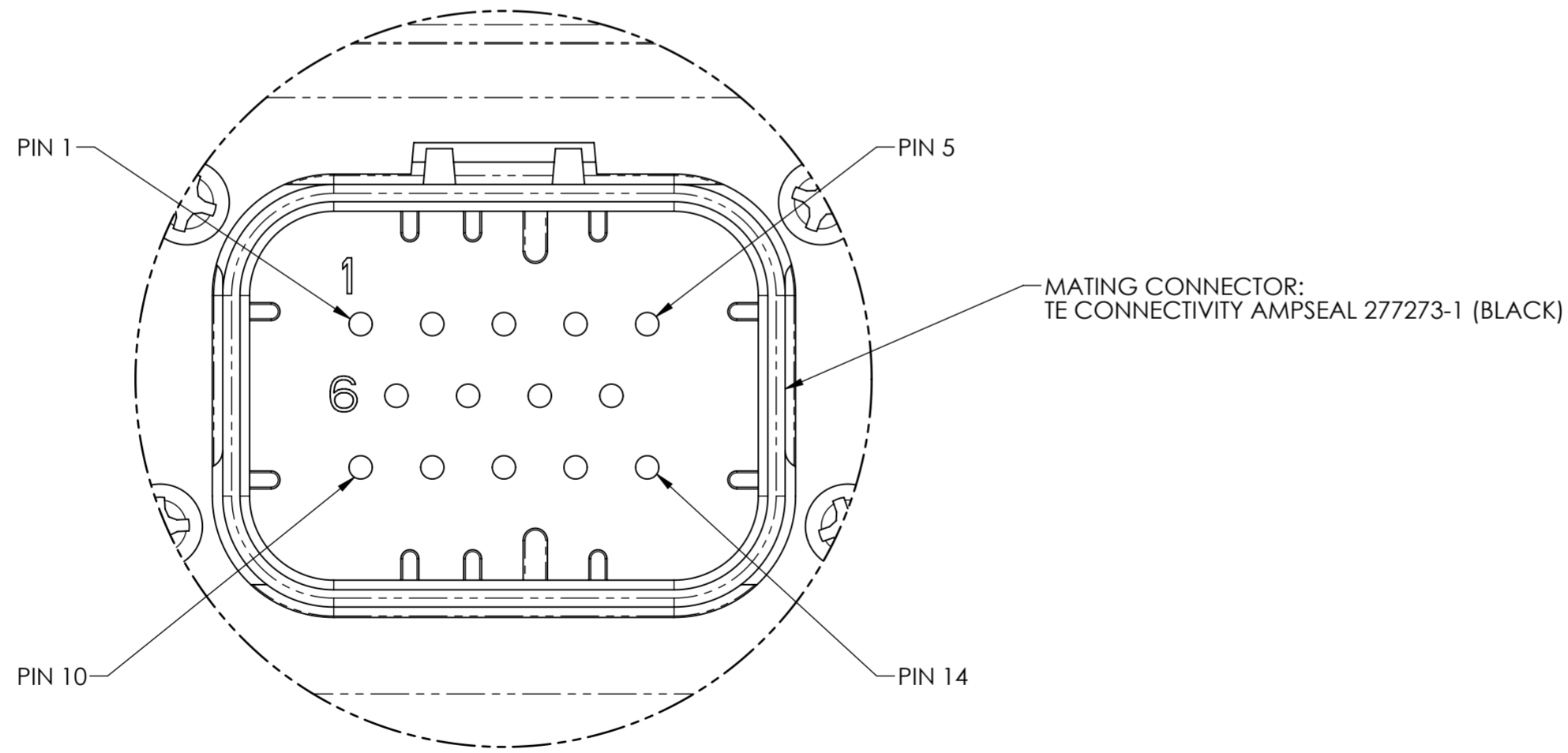
CONNECTIONS



BUZZER

USB-C CONNECTOR

A

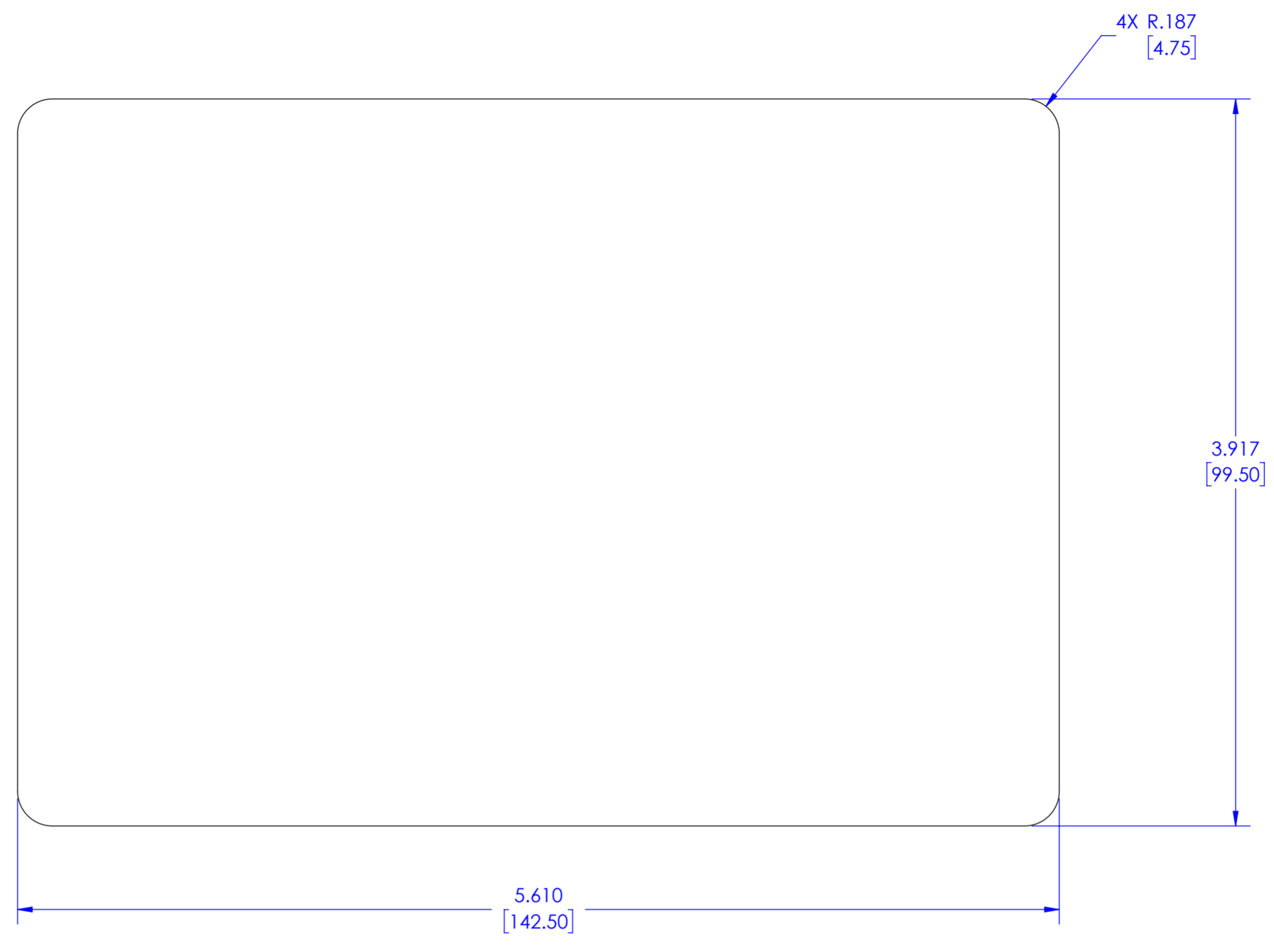


MATING CONNECTOR:
TE CONNECTIVITY AMPSEAL 277273-1 (BLACK)

DETAIL A
SCALE 3 : 1

CONNECTOR PINOUT	
PIN #	FUNCTION
1	GND
2	CAN1_HI/RS485_A
3	CAN1_LO/RS485_B
4	CAN2_HI
5	DOUT2/AUD OUT R
6	VBAT
7	IGN
8	CAN2_LO
9	N.C
10	DIN1/MIC1 N
11	AIN1/MIC1 P
12	AIN2/MIC2 P
13	DIN2/MIC2 N
14	DOUT1/AUD OUT L

PANEL CUT-OUT DIMENSIONS



FULL SCALE

DESCRIPTION TECHNICAL DRAWING, OV-S50-TCA0-L			
PART NUMBER 78020140	DRAWING NUMBER 78020140	REVISION	
CAD FILE 78020140.SLDASM	SCALE 1.5:1 AND NOTED	SHEET SIZE A2	SHEET 4 OF 4
			A-