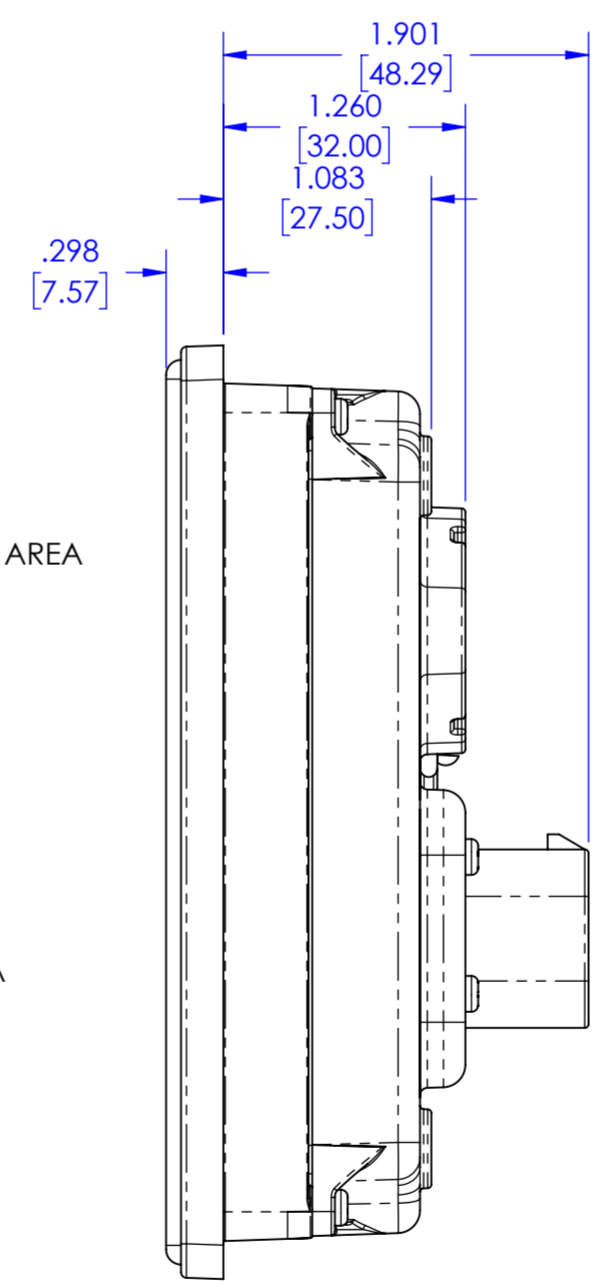
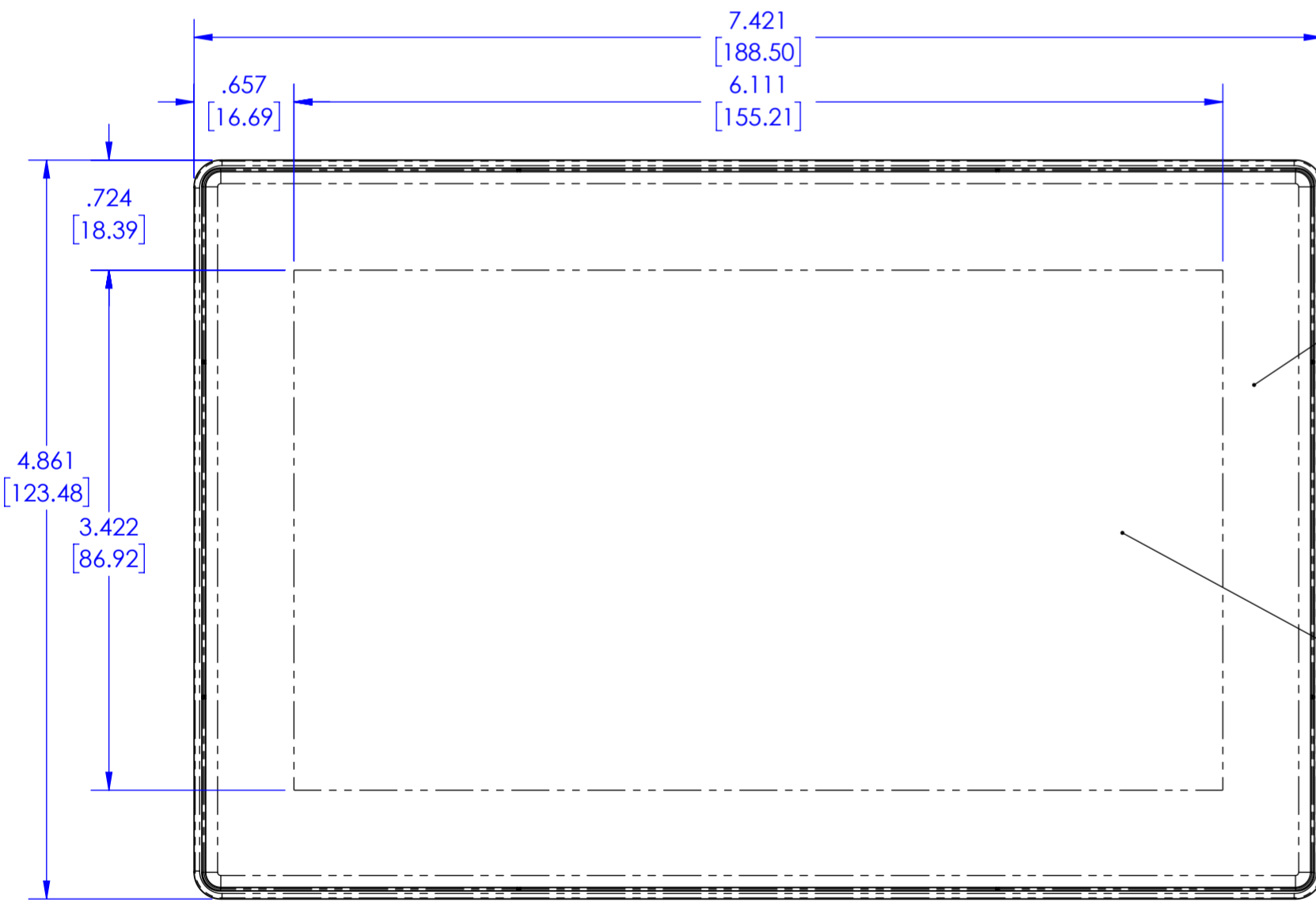
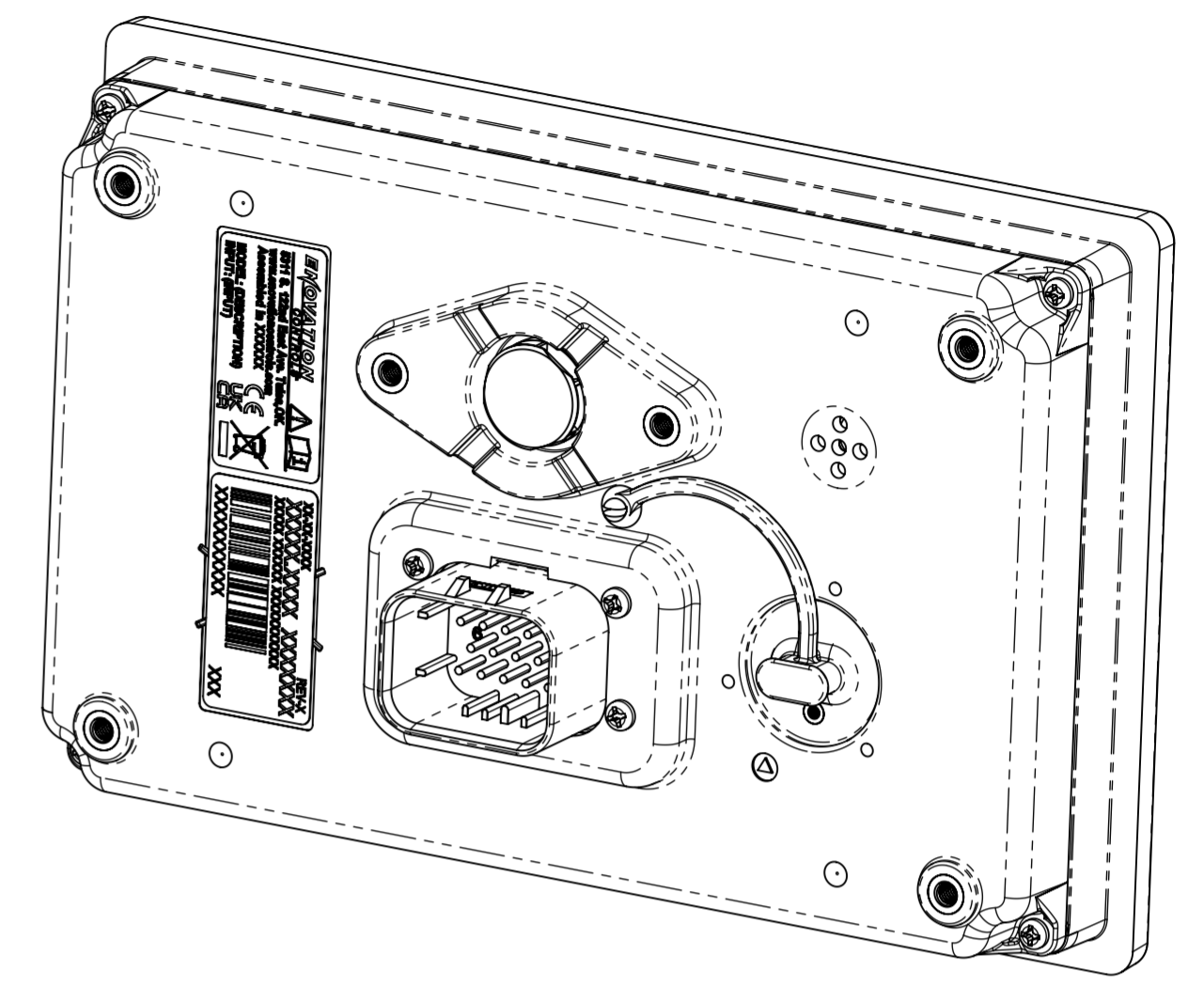
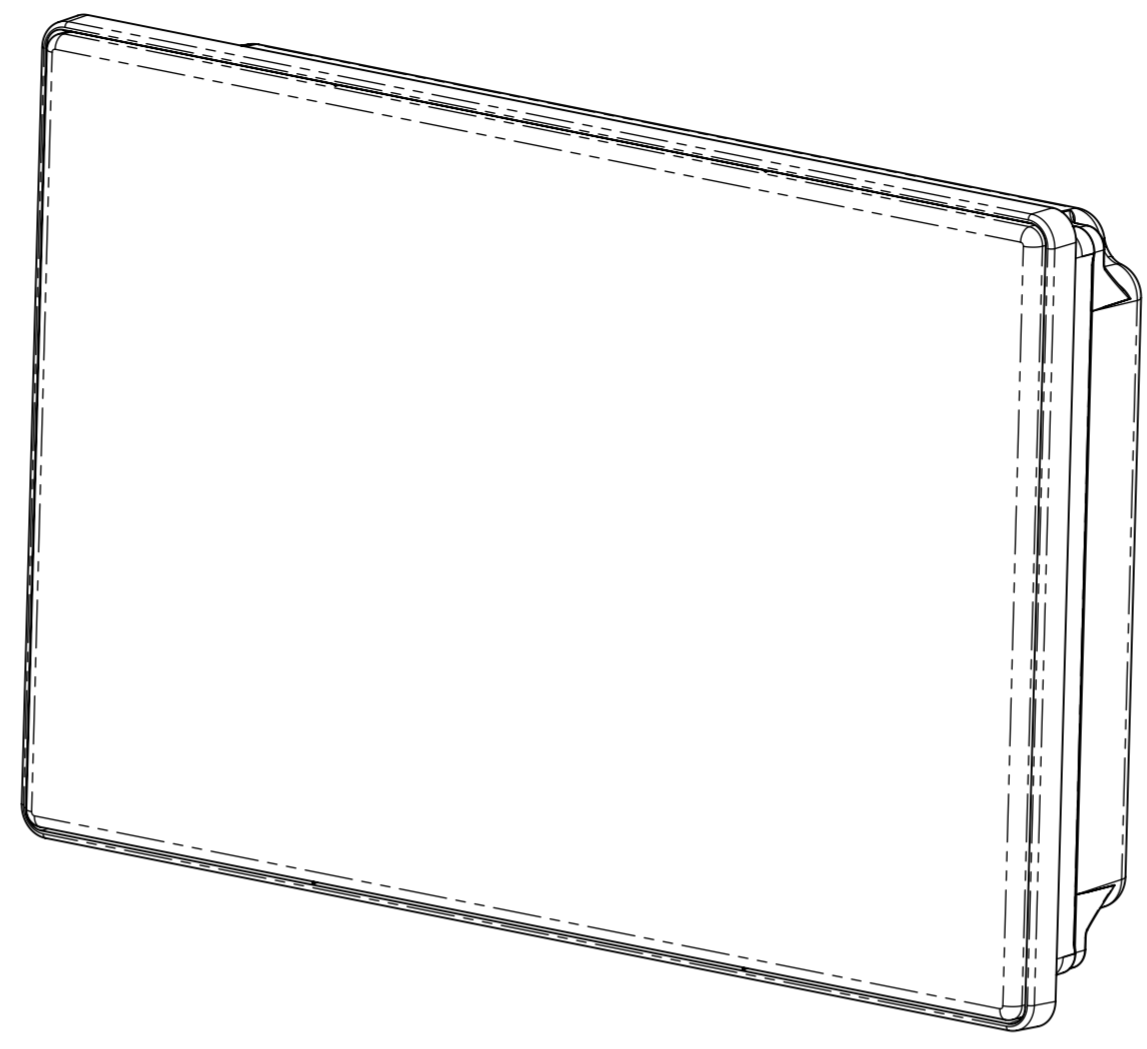
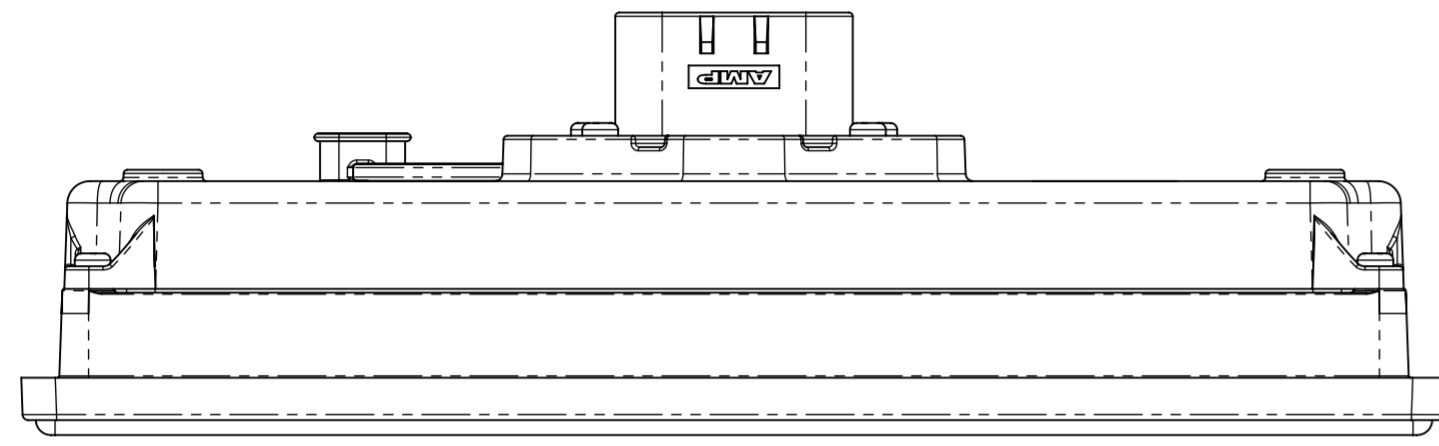
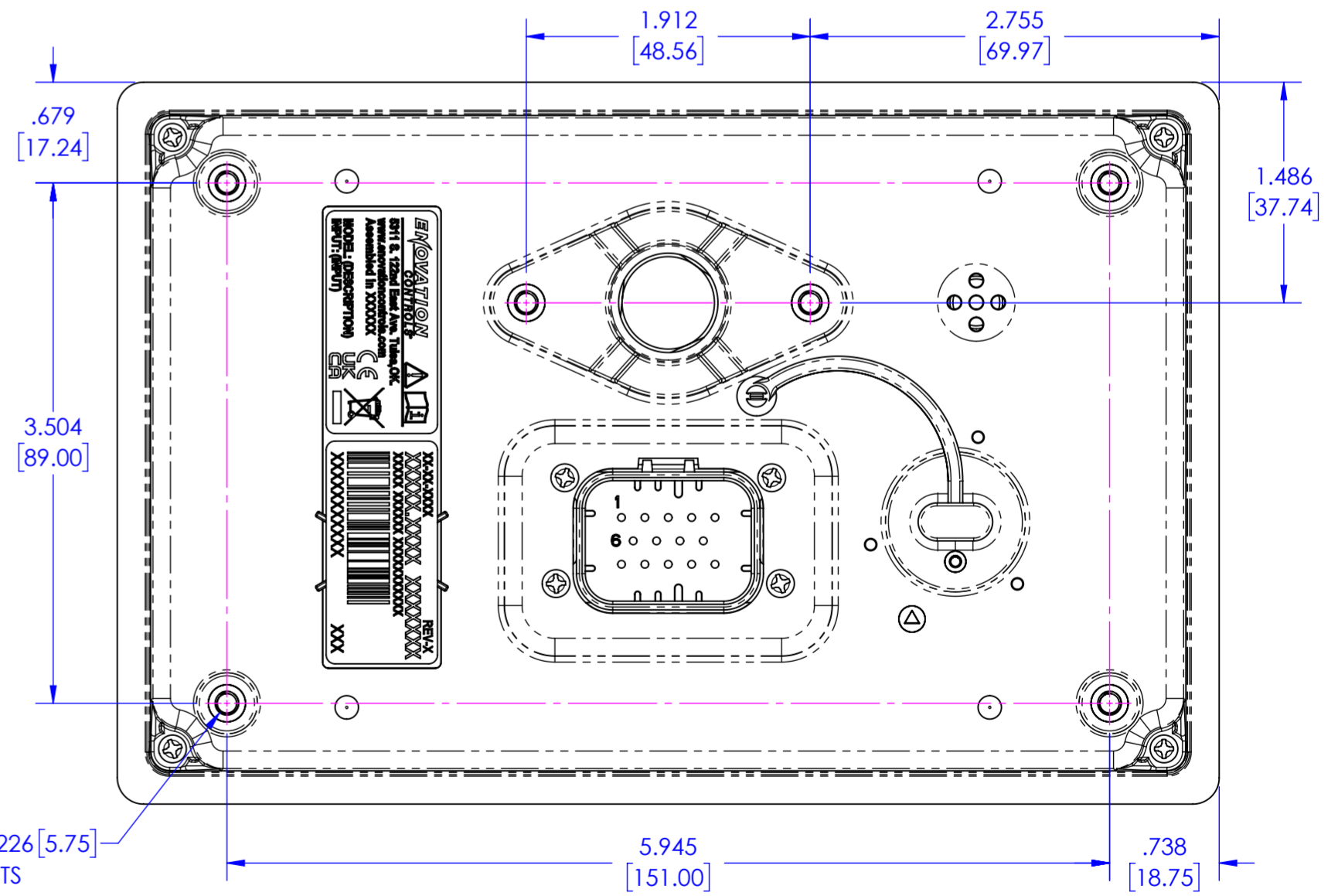


| ZONE | | REV. | ECO# | DESCRIPTION | DATE [YYYY.MM.DD] | BY | APPVD |
|------|----|------|--------|----------------------------|-------------------|----|-------|
| - | A- | | C05804 | INITIAL PRODUCTION RELEASE | 2023.06.23 | JP | LB |



6X M4X0.7 - 6H ∇ .226 [5.75] BRASS INSERTS



- NOTES:
1. ALL DIMENSIONS ARE FOR REFERENCE ONLY.
 2. SEE SHEET 2 FOR PRODUCTION SPECIFICATIONS.
 3. SEE SHEET 3 FOR PIN-OUTS.
 4. SEE SHEET 4 FOR PANEL CUTOUT DIMENSIONS.

| SPECIAL CHARACTERISTICS AND SYMBOLS (SEE ENOVATION CONTROLS QUALITY MANUAL FOR MORE INFORMATION) | |
|---|--|
| ◇ | KEY PRODUCT CHARACTERISTIC (KPC) |
| ◻ | SIGNIFICANT CHARACTERISTIC (SC) |
| ⊗ | SAFETY/COMPLIANCE CHARACTERISTIC (SCC) |

| | | | | | | |
|---|---|---|--|----------------------------------|--|---------------------------|
| DIMENSIONING AND TOLERANCING PER ASME Y14.5 - 2009 APPLY. UNLESS OTHERWISE SPECIFIED | | SHALL MEET REQUIREMENTS OF ENC 4E00711 ENVIRONMENTAL COMPLIANCE SPECIFICATION | | INCH DO NOT SCALE DRAWING | | ENOVATION CONTROLS |
| Tolerances Inch: X ± .1 XX ± .03 XXX ± .010 | Tolerances Metric: X ± 2 XX ± 7 XXX ± 25 | PRODUCE PART FROM CAD MODEL 78020141.SLDASM | | TECHNICAL DRAWING, OV-S70-TCA0-L | | |
| PART NUMBER 78020141 | | DRAWING NUMBER 78020141 | | REVISION A- | | |
| SCALE: 1:1 AND NOTED | | SHEET SIZE: A2 | | SHEET: 1 OF 4 | | |

PRODUCT SPECIFICATIONS

COMPUTING

PROCESSOR

2X 650Mhz Arm Cortex A7 + GPU (OS/Graphics)

COPROCESSOR

1X 200Mhz Arm Cortex M4 (Real time control)

STORAGE

4GB eMMC flash for operating systems and applications

RAM

512MB, 16 Bit

GRAPHICS

Integrated graphics processor

ELECTRICAL/ENVIRONMENTAL

OPERATING VOLTAGE

6-36 VDC, Reverse polarity protected

OPERATING TEMPERATURE

-4°F to 158°F [-20°C to 70°C]

STORAGE TEMPERATURE

-22°F to 158°F [-30°C to 70°C]

PROTECTION

IP65

VIBRATION

IEC 60068-2-64

SHOCK

IEC 60068-2-27

EMC/EMI

ISO 14982:2009, ISO 13766:2018

INTERFACES

CAN

1 CAN

SERIAL

USB-C, RS-485

WIFI

802.11 b/g/n

BLUETOOTH

Bluetooth V4.2 + EDR BR/EDR and Bluetooth LE specification

INPUTS

2X Resistive (0-5V), 2X Dig/Ana (0-36V)

OUTPUTS

2X 500 mA Low-side

USB

USB Type-C with Locking Connector

DISPLAY/HMI

SCREEN

7-inch, RGB IPS LCD W/ LED Backlight 24bit color

RESOLUTION

1024 X 600

CONTRAST RATIO/BRIGHTNESS

800:1, 720 cdm²

TOUCH PANEL

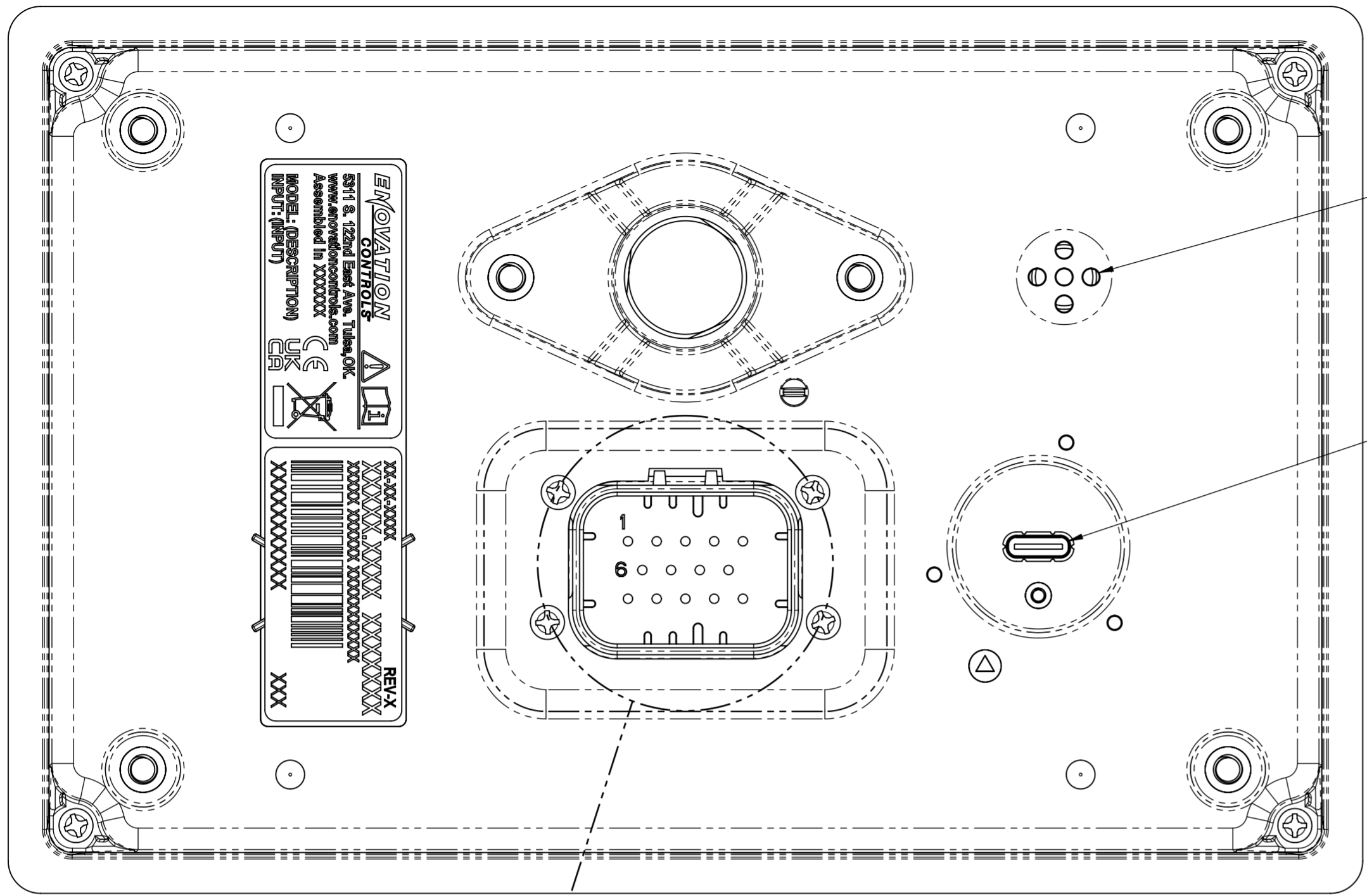
Projected capacitive (PCAP) with glove touch

BUZZER

For alarms and notifications. 80dB, Adjustable frequency

| | | | |
|----------------------------------|----------------|------------|--------|
| DESCRIPTION | | | |
| TECHNICAL DRAWING, OV-S70-TCA0-L | | | |
| PART NUMBER | DRAWING NUMBER | REVISION | |
| 78020141 | 78020141 | A- | |
| CAD FILE | SCALE | SHEET SIZE | SHEET |
| 78020141.SLDASM | 1:1 AND NOTED | A2 | 2 OF 4 |

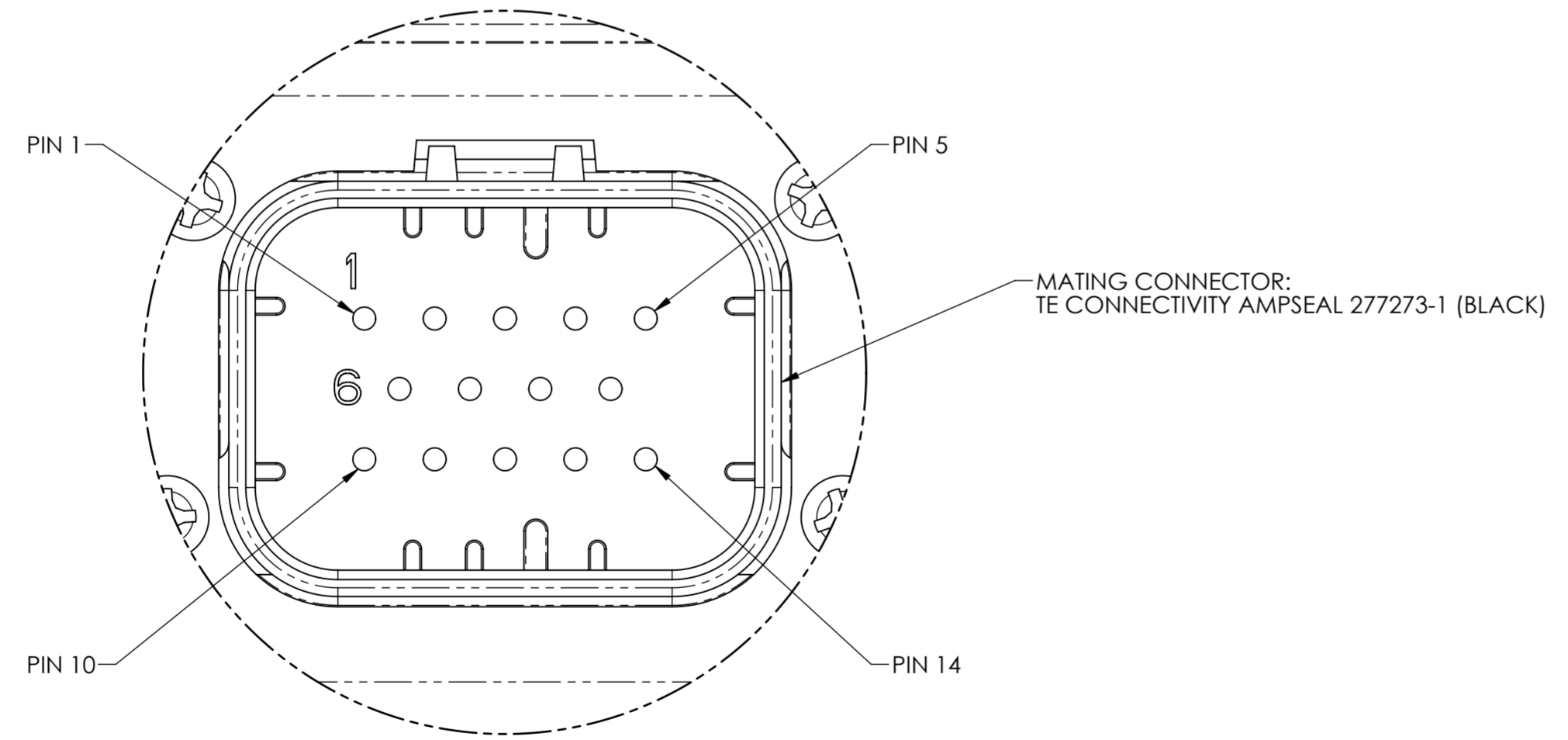
CONNECTIONS



BUZZER

USB-C CONNECTOR

A



MATING CONNECTOR:
TE CONNECTIVITY AMPSEAL 277273-1 (BLACK)

DETAIL A
SCALE 3 : 1

| CONNECTOR PINOUT | |
|------------------|-----------------|
| PIN # | FUNCTION |
| 1 | GND |
| 2 | CAN1_HI/RS485_A |
| 3 | CAN1_LO/RS485_B |
| 4 | CAN2_HI |
| 5 | DOUT2/AUD OUT R |
| 6 | VBAT |
| 7 | IGN |
| 8 | CAN2_LO |
| 9 | N.C |
| 10 | DIN1/MIC1 N |
| 11 | AIN1/MIC1 P |
| 12 | AIN2/MIC2 P |
| 13 | DIN2/MIC2 N |
| 14 | DOUT1/AUD OUT L |

PANEL CUT-OUT DIMENSIONS



FULL SCALE

| | | | |
|----------------------------------|-----------------|----------------|-----------------|
| DESCRIPTION | | | |
| TECHNICAL DRAWING, OV-S70-TCA0-L | | | |
| PART NUMBER | 78020141 | DRAWING NUMBER | 78020141 |
| CAD FILE | 78020141.SLDASM | SCALE | 1.5:1 AND NOTED |
| | | SHEET SIZE | A2 |
| | | SHEET | 4 OF 4 |
| | | REVISION | A- |