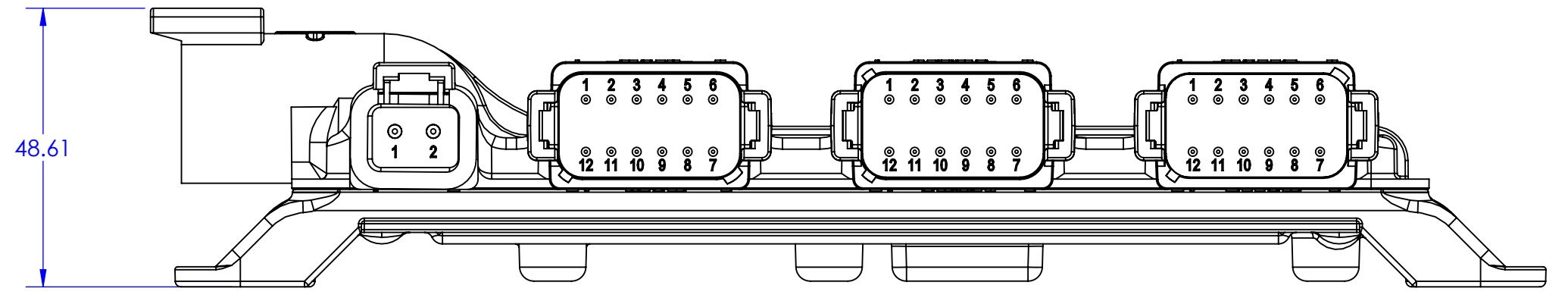
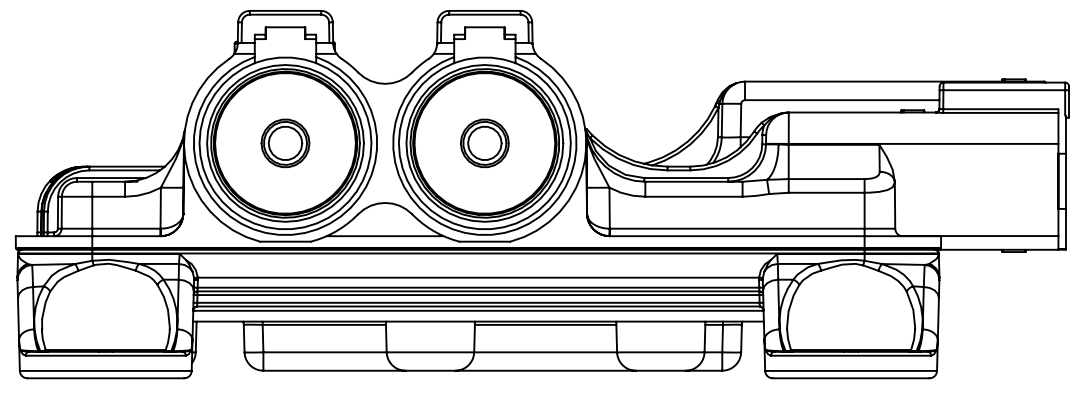
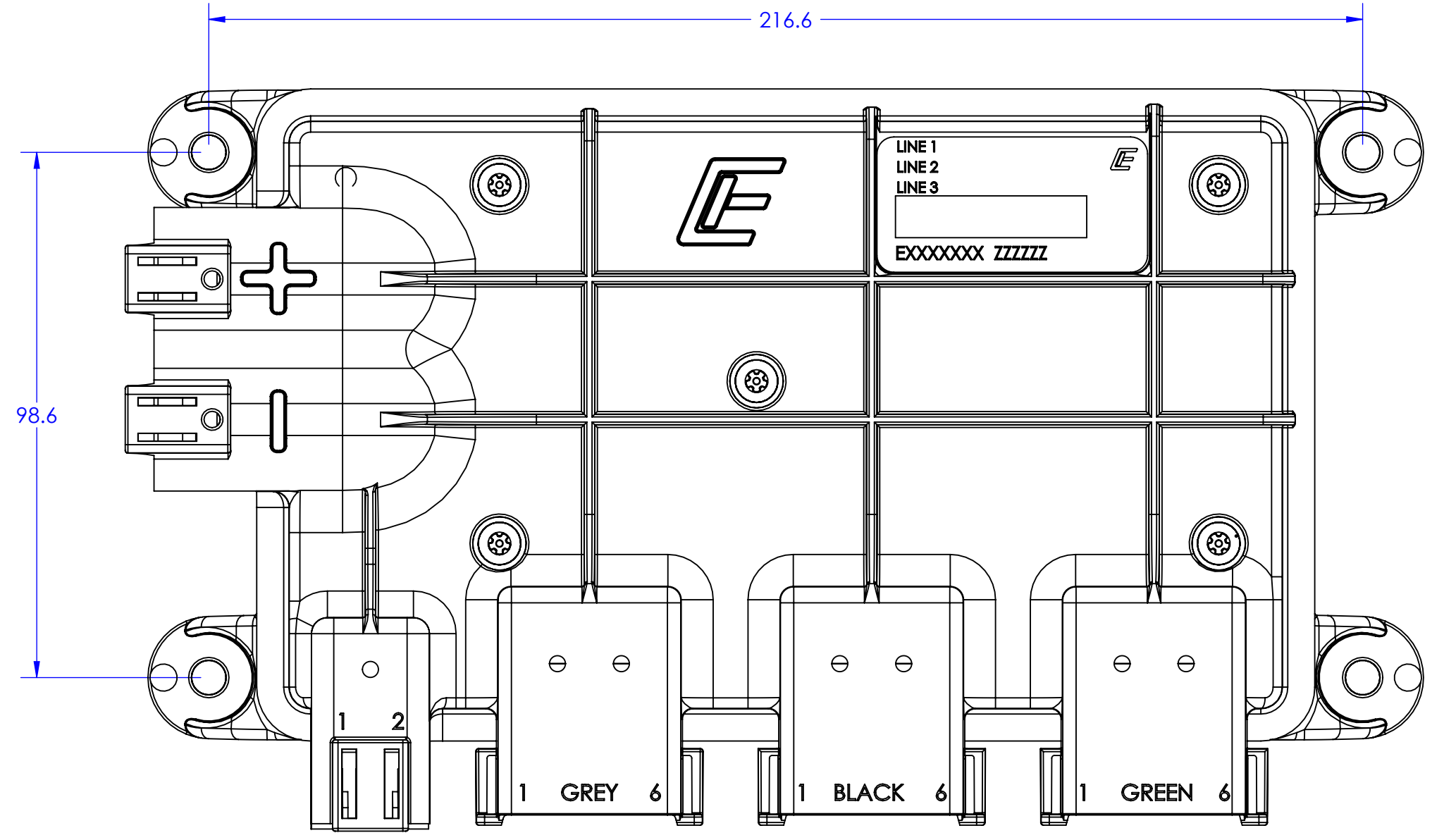


PROPRIETARY and CONFIDENTIAL This document, including the information hereon, is the property of ECONTROLS, INC., its subsidiaries, and/or affiliates (hereinafter "ECONTROLS"). It may be used only to purchase or supply goods and/or services relative to ECONTROLS and must be returned upon ECONTROLS request. It is CONFIDENTIAL and must be maintained in confidence. It may not be reproduced, copied or have other items prepared therefrom and may not be disclosed to others, in whole or in part, without ECONTROLS prior written consent. ALL RIGHTS RESERVED.

REVISIONS				DATE (YY-MM-DD)	BY	CHECKED	APPROVED
ZONE	REV.	EO #	DESCRIPTION				
	A		PRODUCTION RELEASE				
	B	ERV 111010-003	SOFTWARE UPDATE TO REV31	11-10-10	JHS	JG	



UNLESS OTHERWISE SPECIFIED
PRODUCE PART FROM CAD
MODEL E2443000.SLDPR1,
ALL NON-TOLERANCED
DIMENSIONS ARE BASIC TO
THE CAD MODEL. REFER TO
THE DRAWING FOR
ASSOCIATED TOLERANCES,
DATUMS AND FEATURE
CONTROLS.

MATERIAL
SEE NOTES
FINISH
SEE NOTES

METRIC
DO NOT SCALE DRAWING.
DIMENSIONING AND TOLERANCING PER
ASME Y14.5M 1994 & B4.3 1982 APPLY

THIRD ANGLE PROJECTION

APPROVALS	DATE (YY-MM-DD)
ENGINEER J. SANDERS	10-06-24
DRAWN J. SANDERS	10-06-24
CHECKED C. COLE	10-06-24

EControls, Inc.
Control and Instrumentation Specialists
3523 CROSSPOINT
SAN ANTONIO, TX 78217

DESCRIPTION			
ASSEMBLY, POWER DISTRIBUTION MODULE			
SIZE C	PART NUMBER E2443000	DWG. NO. E2443000	REV. B
SCALE 1:1 AND NOTED	CAD FILE E2443000.SLDPR1	SHEET 1 OF 1	