



High Country Tek, Inc.

epc-2 - Electronic Pump Controller

Dual Channel Open Loop Gold Cup Operation

Electronic Control Solutions for the Global Fluid Power Industry



DENISON Hydraulics



REPLACES: Jupiter - S20-14078-0 & S20-14087-0
Venus - S20-14103-0
IQAN - TOC-2 & TOC-8



- **Single Module** controls up to two (2) Gold Cup pumps with 9A stokers
- Separate 0 - 5VDC or 4 - 20mA command selection for mobile or industrial use
- Single coil, remote compensator operation or dual coil stroker control operation
- Integrated +5V @ 500mA voltage output for local potentiometers/ Joysticks e.t.c.
- Additional digital inputs with high current digital outputs for other valve drives - i.e. dump valves
- Single remote 'Master' enable feature for both channels
- PC interface allows ALL necessary adjustments to be made for each individual channel
- Full CE compliance for confident global application on all mobile equipment
- Industry standard Cinch Metripack 30 way connector used
- Unit potted in 2 part, flame resistant epoxy resin for IP 68/NEMA 6P seal rating

Contact us for price and availability of the epc-2 controller

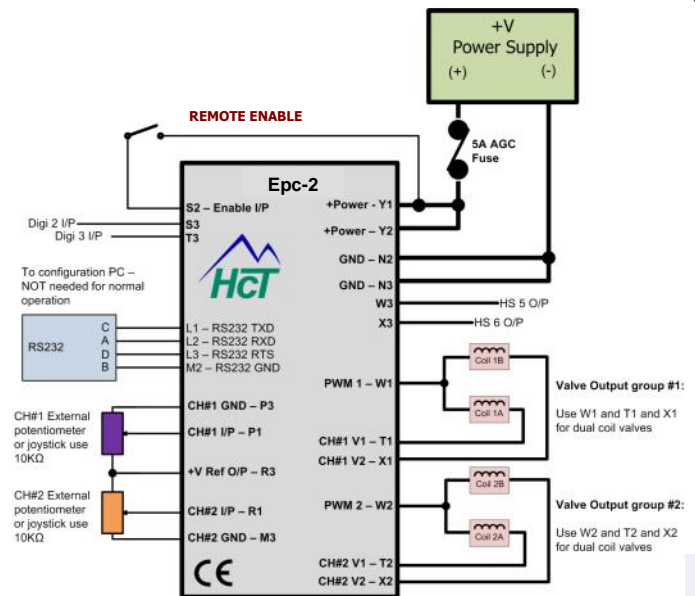


- Cost effective, standard controller from HCT with **FREE application**
- Easy to read and use **FREE Graphical User Interface** or GUI
- Mount 'anywhere' design for optimizing distributed I/O systems
- Simplified application harnesses and command input connections
- NO Eurocard holder needed - mount directly to panel or pump
- Connections are quick, easy for each channel
- 10 to 32VDC supply input drives either 12 or 24V coils
- Extended temperature operating range: -40C to +85C

The 9A control controls displacement in proportion to an electric current between zero and 350 mA for the 24 volt version, and up to 650 mA for the 12 volt version.

The O/P to the coils is a Pulse Width Modulated (PWM) signal, with current to one coil driving the pump in one direction, and to the other coil in the opposite direction. Adjustable mechanical maximum displacement stops are

pro-



Working in the field ?

Why not buy our TekBook tool, Windows 7[®] OS and pre-loaded with the full application and user interface installed for you and ready to go ?

For customer service, pricing, order placement and application support, contact us through E-mail at:

info@hctcontrols.com

www.hctcontrols.com



High Country Tek, Inc.

208 Gold Flat Court
Nevada City, CA, 95959
Tel: (1) 530 265 3236
Fax: (1) 530 265 3275