

emc-3 Connector Designation Tables

30 Pin Metri-Pak Connector (Male, Plug)

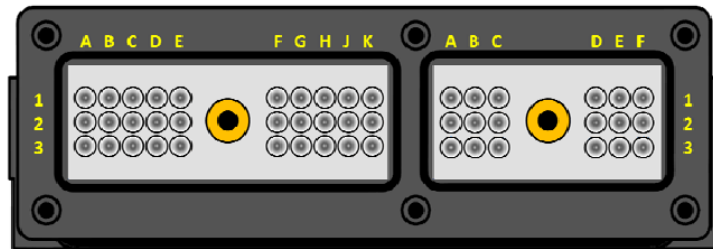
PIN	Name	Function	PIN	Name	Function	PIN	Name	Function
A1	RXD	Receive RS232 Data - Pin 'A'	D2	Uni-2	Universal Input #2	G3	GND	Ground / 0V / Signal Common
A2	TXD	Transmit RS232 Data - Pin 'C'	D3	GND	Ground / 0V / Signal Common	H1	Dig3	Digital Input #3
A3	RTS	Request To Send - RS232 Pin 'D'	E1	Vref	+5V regulated user output	H2	Ana3	Analog input #3
B1	CAN-H	CAN #1 High	E2	Uni-3	Universal Input #3	H3	GND	Ground / 0V / Signal Common
B2	CAN-L	CAN #1 Low	E3	GND	Ground / 0V / Signal Common	J1	Dig4	Digital Input #4
B3	COM	0V/COM RS232 Data - Pin 'B'	F1	DIG-1	Digital Input #1	J2	Dig5	Digital Input #5
C1	CAN-H	CAN #2 High	F2	ANA-1	Analog input #1	J3	Dig6	Digital Input #6
C2	Uni-1	Universal Input #1	F3	GND	Ground / 0V / Signal Common	K1	+Pwr	+V Supply Power Input
C3	GND	Ground / 0V / Signal Common	G1	DIG-2	Digital Input #2	K2	Dig7	Digital Input #7
D1	CAN-L	CAN #2 Low	G2	ANA-2	Analog input #2	K3	Dig8	Digital Input #8

18 Pin Metri-Pak Connector (Male, Plug)

PIN	Name	Function	PIN	Name	Function	PIN	Name	Function
A1	+VPwr	+V Supply Power Input	C1	PWM-3	PWM Output to Fan Bank #3	E1	Gnd for DVC	Ground / 0V Common
A2	+VPwr	+V Supply Power Input	C2	HS-4	ON/Off output	E2	Not Used	Not Used -
A3	Not Used	Not Used -	C3	Not Used	Not Used -	E3	Not Used	Not Used -
B1	PWM-1	PWM Output to Fan Bank #1	D1	HS-5	ON/Off output	F1	Gnd for DVC	Ground / 0V Common
B2	PWM-2	PWM Output to Fan Bank #2	D2	HS-6	ON/Off output	F2	Gnd for DVC	Ground / 0V Common
B3	Not Used	Not Used -	D3	Not Used	Not Used -	F3	Gnd for DVC	Ground / 0V Common

Notes:

emc-3 is designed to drive up to 3 separate banks of electric fans with low current requirement - PWM command signal type inputs
 emc-3 has the capability of monitoring up to 8 individual fans operation using the digital ON/OFF inputs DIG-1 thru DIG-8
 User system alarm, operational logic or safety inputs should use the analog inputs 1 thru 3



↑
**30 Way
 Metri-Pak
 Connector**

↑
**18 Way
 Metri-Pak
 Connector**



High Country Tek
 208 Gold Flat Ct.
 Nevada City, CA 95959

DRAWN Gary Gotting
 ISSUED April 21, 2011

TITLE
 Emc-3 test set-up wiring diagram

SIZE	ECO No.	DWG NO	REV
A		021-00192	A

SCALE	1 : 1	SHEET	1 OF 2
-------	-------	-------	--------

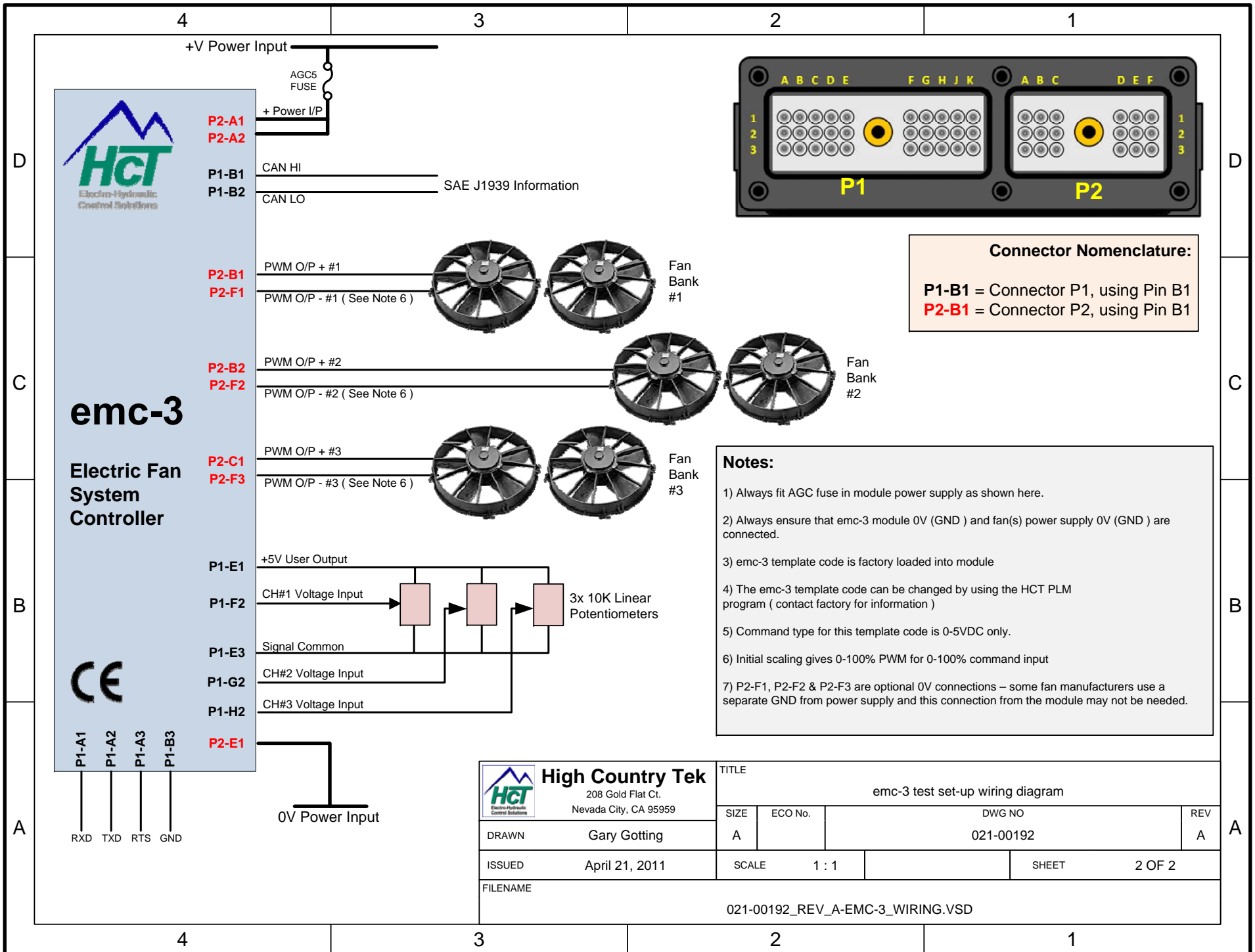
FILENAME
 021-00192_REV_A-EMC-3_WIRING.VSD

emc-3

SAE J1939 Compatible Electric Fan Controller 3 Channel



**Connectors Viewed In
 This Direction**



High Country Tek
 208 Gold Flat Ct.
 Nevada City, CA 95959

TITLE			
emc-3 test set-up wiring diagram			
SIZE	ECO No.	DWG NO	REV
A		021-00192	A
ISSUED	April 21, 2011	SCALE 1 : 1	SHEET 2 OF 2
FILENAME			
021-00192_REV_A-EMC-3_WIRING.VSD			