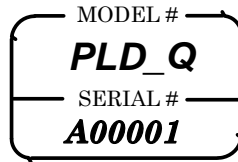
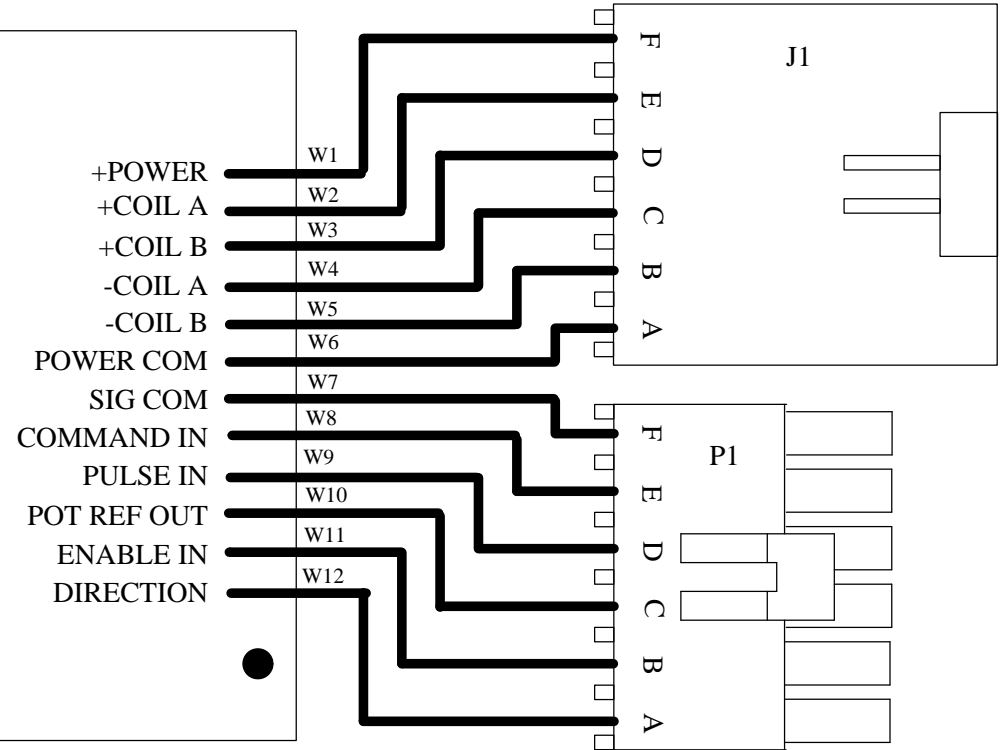


Power-Line



www.hctcontrols.com



MATING CONNECTORS

1. Mate for J1, P/N:999-10159
 - a. (1) 6-Pin Tower
 - b. (6) Terminal, Female, 16 AWG
 - c. (6) Seal, 16 AWG

2. Mate for P1, P/N 999-10160
 - a. (1) 6-Pin Male Shroud
 - b. (6) Terminal, Male, 16 AWG
 - c. (6) Seal, 16 AWG

J. Clark, 08/28/07



HIGH COUNTRY TEK
 208 Gold Flat Court
 Nevada City, CA 95959

PH: 530-265-3236
 FX: 530-265-3275
 www.hctcontrols.com

TITLE

PL - Power Line "Q" Option

SIZE	CAGE CODE	DWG NO	REV
A			1
SCALE	SHEET		
N/A	1 of 1		