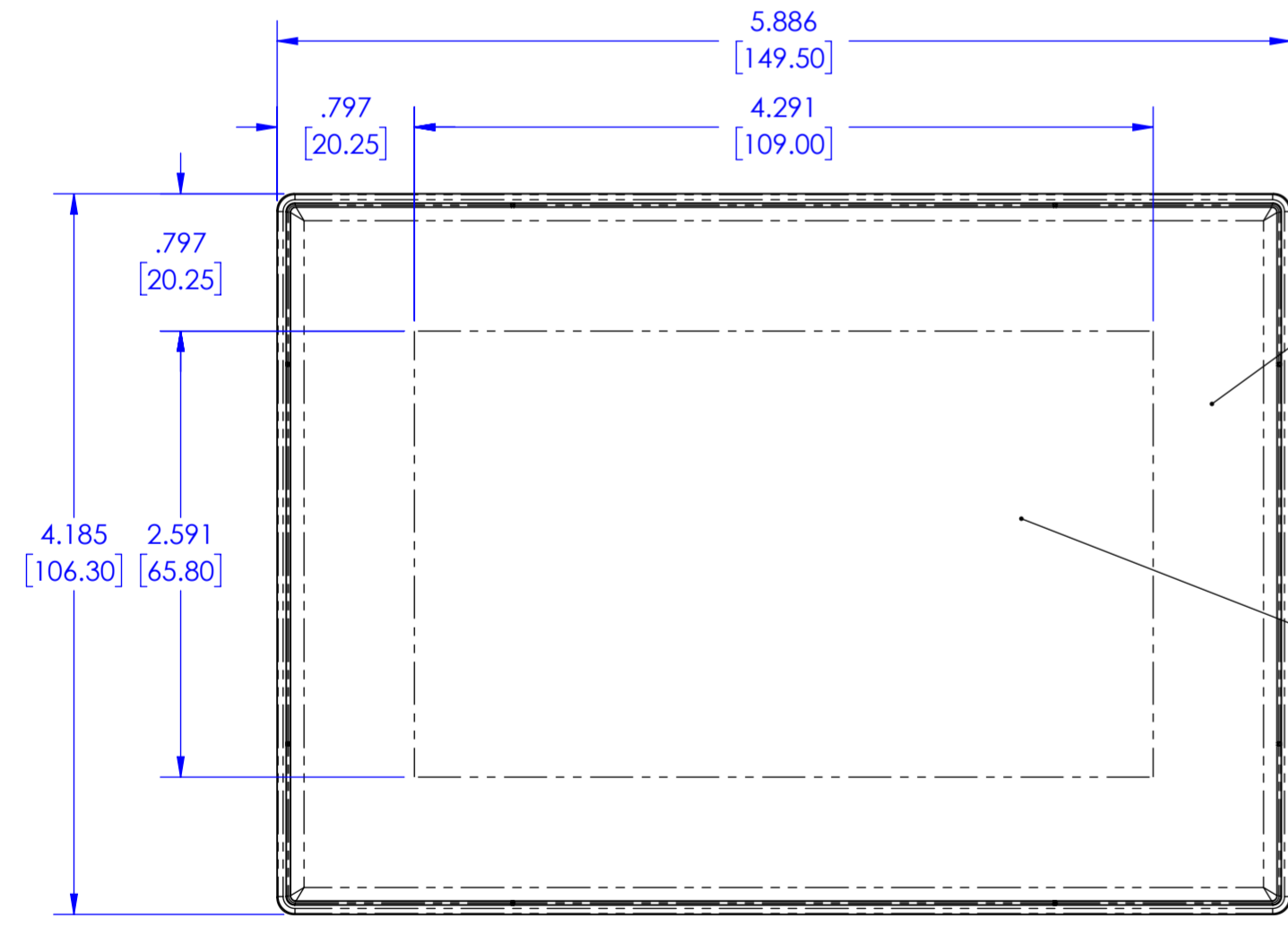
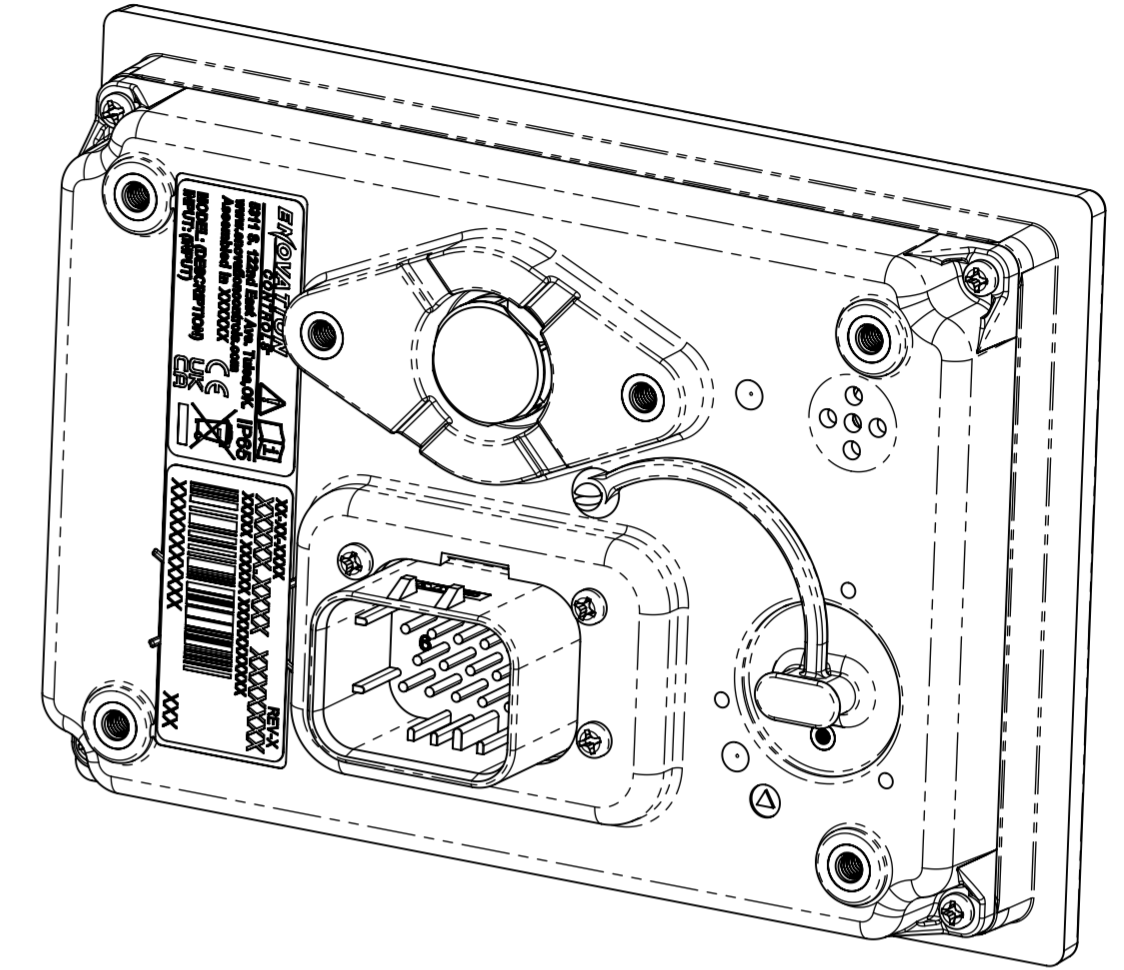
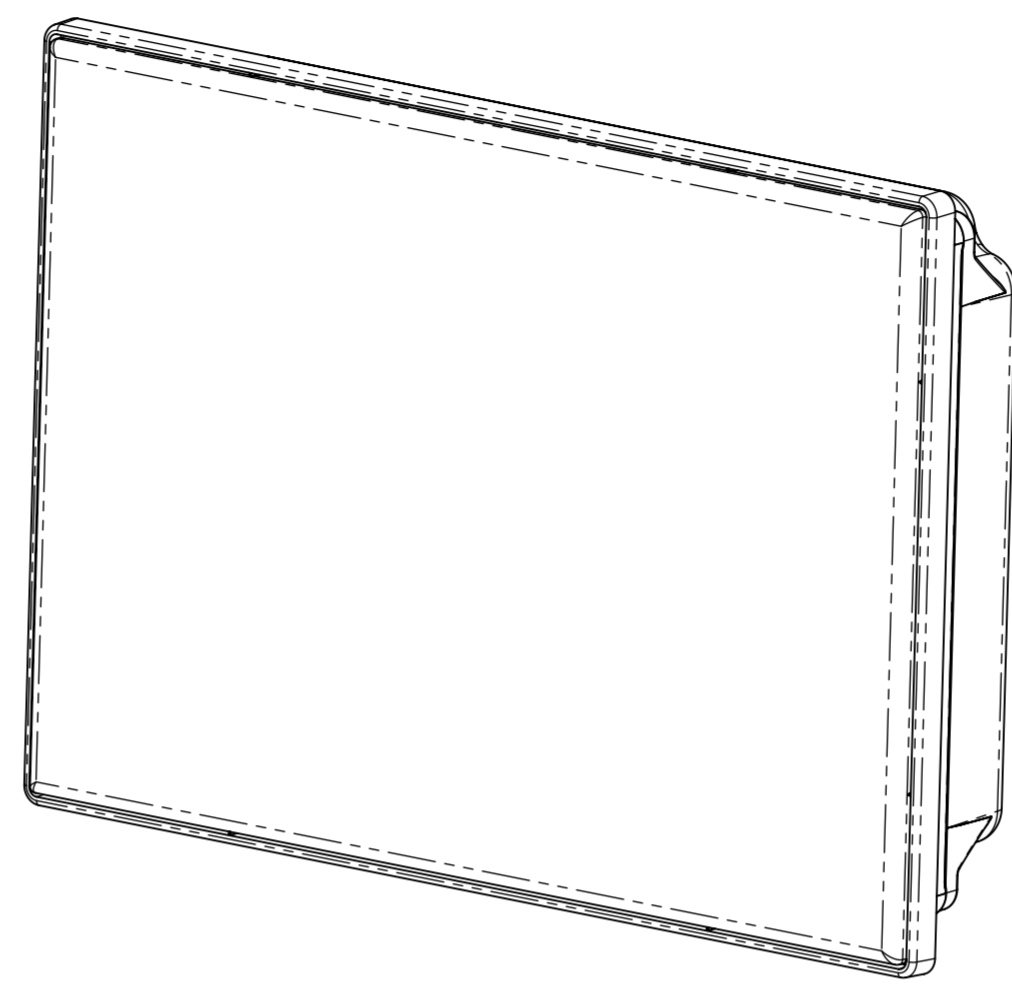
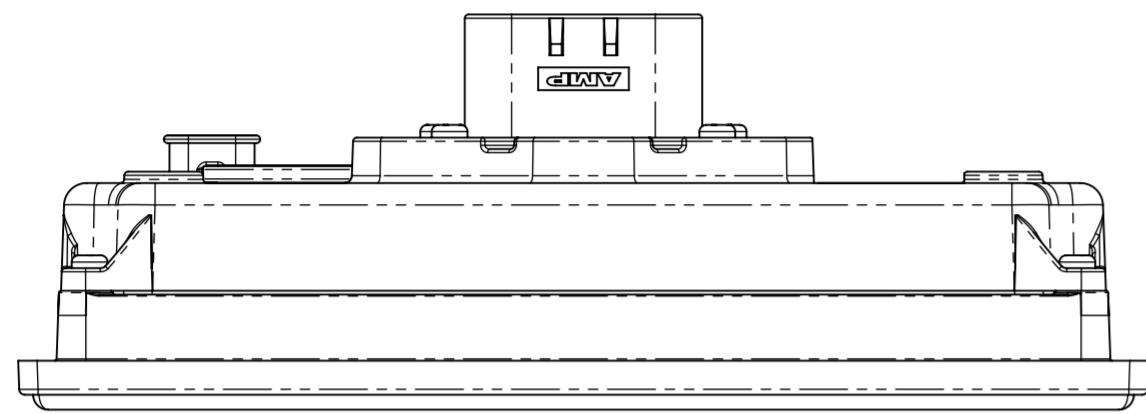
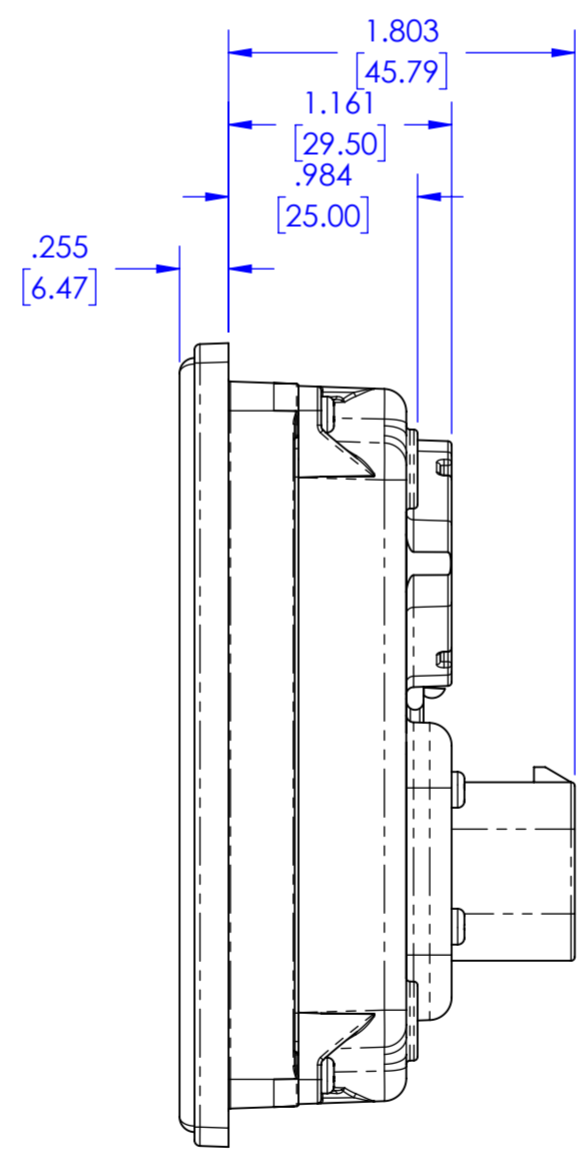


PROPRIETARY and CONFIDENTIAL This document, including the information hereon, is the property of ENOVATION CONTROLS, INC., its subsidiaries, and/or affiliates (hereinafter "ENOVATION CONTROLS"). It may be used only to purchase or supply goods and/or services relative to ENOVATION CONTROLS and must be returned upon ENOVATION CONTROLS request. It is CONFIDENTIAL and must be maintained in confidence. It may not be reproduced, copied or have other items prepared therefrom and may not be disclosed to others, in whole or in part, without ENOVATION CONTROLS prior written consent. ALL RIGHTS RESERVED.

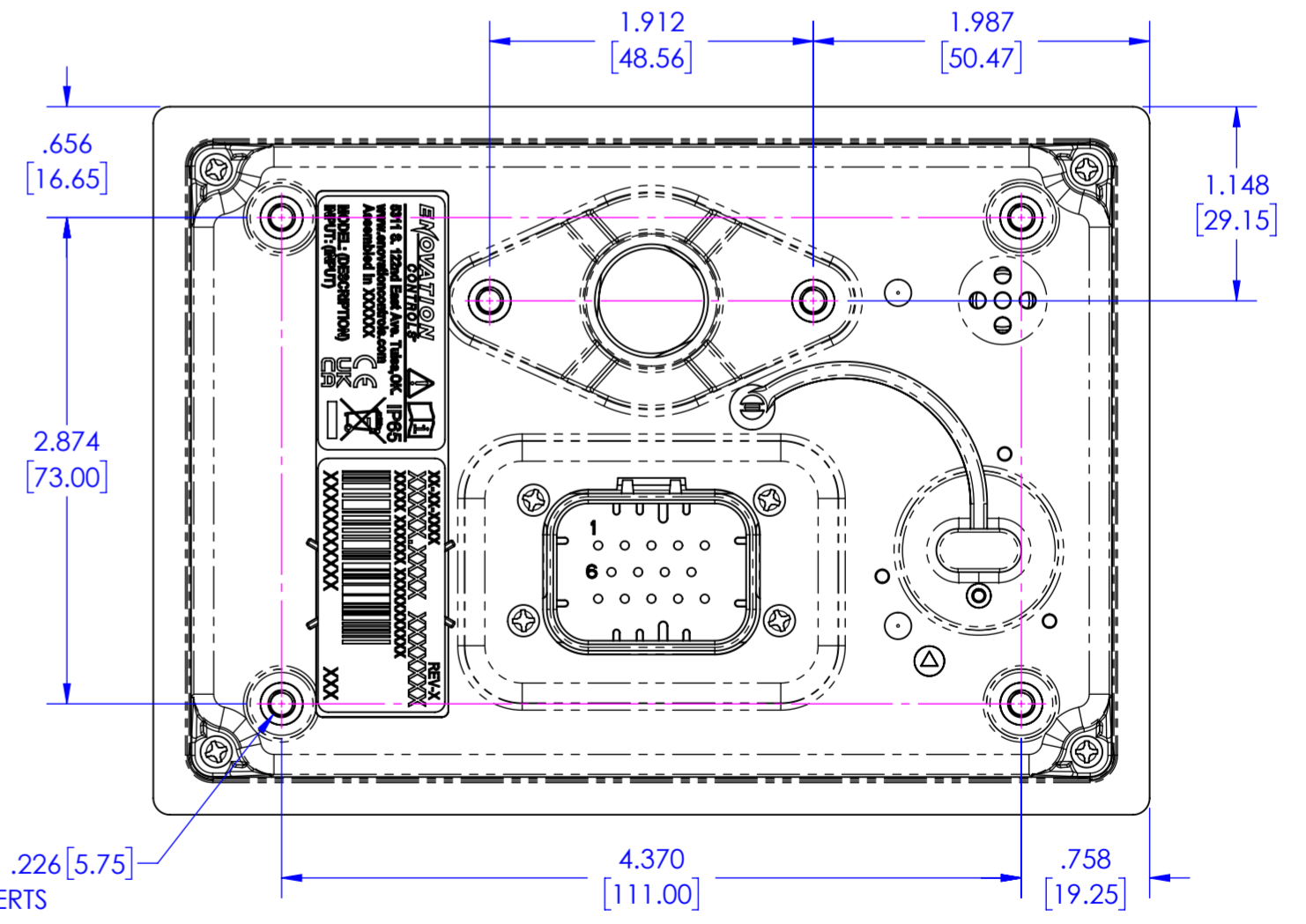
REVISIONS		DATE [YYYY.MM.DD]	BY	APPVD
-	A-	C05804	JP	LB
-	B-	C05882	JP	CR
-	C	C06243	JP	JA



NON-VIEWABLE AREA
VIEWABLE AREA



6X M4X0.7 - 6H ∇ .226 [5.75]
BRASS INSERTS



- NOTES:
- ALL DIMENSIONS ARE FOR REFERENCE ONLY.
 - SEE SHEET 2 FOR PRODUCTION SPECIFICATIONS.
 - SEE SHEET 3 FOR PIN-OUTS.
 - SEE SHEET 4 FOR PANEL CUTOUT DIMENSIONS.

SPECIAL CHARACTERISTICS AND SYMBOLS (SEE ENOVATION CONTROLS QUALITY MANUAL FOR MORE INFORMATION)	
◇	KEY PRODUCT CHARACTERISTIC (KPC)
□	SIGNIFICANT CHARACTERISTIC (SC)
⊗	SAFETY/COMPLIANCE CHARACTERISTIC (SCC)

DIMENSIONING AND TOLERANCING PER ASME Y14.5 - 2009 APPLY. UNLESS OTHERWISE SPECIFIED		SHALL MEET REQUIREMENTS OF ENC 4E00711 ENVIRONMENTAL COMPLIANCE SPECIFICATION		INCH DO NOT SCALE DRAWING		ENOVATION CONTROLS™	
Tolerances Inch: X ± .1 XX ± .03 XXX ± .010		Tolerances Metric: X ± 2 XX ± 7 XX ± 25		PRODUCE PART FROM CAD MODEL 78020140.SLDASM			
MATERIAL: -		FINISH: -		PART NUMBER 78020140		DRAWING NUMBER 78020140	
				SCALE 1:1 AND NOTED		SHEET SIZE A2	
				SHEET 1 OF 4		REVISION C	

PRODUCT SPECIFICATIONS

COMPUTING

PROCESSOR

2X 650Mhz Arm Cortex A7 + GPU (OS/Graphics)

COPROCESSOR

1X 200Mhz Arm Cortex M4 (Real time control)

STORAGE

4GB eMMC flash for operating systems and applications

RAM

512MB, 16 Bit

GRAPHICS

Integrated graphics processor

ELECTRICAL/ENVIRONMENTAL

OPERATING VOLTAGE

6-36 VDC, Reverse polarity protected

OPERATING TEMPERATURE

-4°F to 158°F [-20°C to 70°C]

STORAGE TEMPERATURE

-22°F to 158°F [-30°C to 70°C]

PROTECTION

IP65

VIBRATION

IEC 60068-2-64

SHOCK

IEC 60068-2-27

EMC/EMI

ISO 14982:2009, ISO 13766:2018

INTERFACES

CAN

1 CAN

SERIAL

USB-C, RS-485

WIFI

802.11 b/g/n

BLUETOOTH

Bluetooth V4.2 + EDR BR/EDR and Bluetooth LE specification

INPUTS

2X Resistive (0-5V), 2X Dig/Ana (0-36V)

OUTPUTS

2X 500 mA Low-side

USB

USB Type-C with Locking Connector

DISPLAY/HMI

SCREEN

5-inch, RGB IPS LCD W/ LED Backlight 24bit color

RESOLUTION

800 X 400

CONTRAST RATIO/BRIGHTNESS

800:1, 720 cdm²

TOUCH PANEL

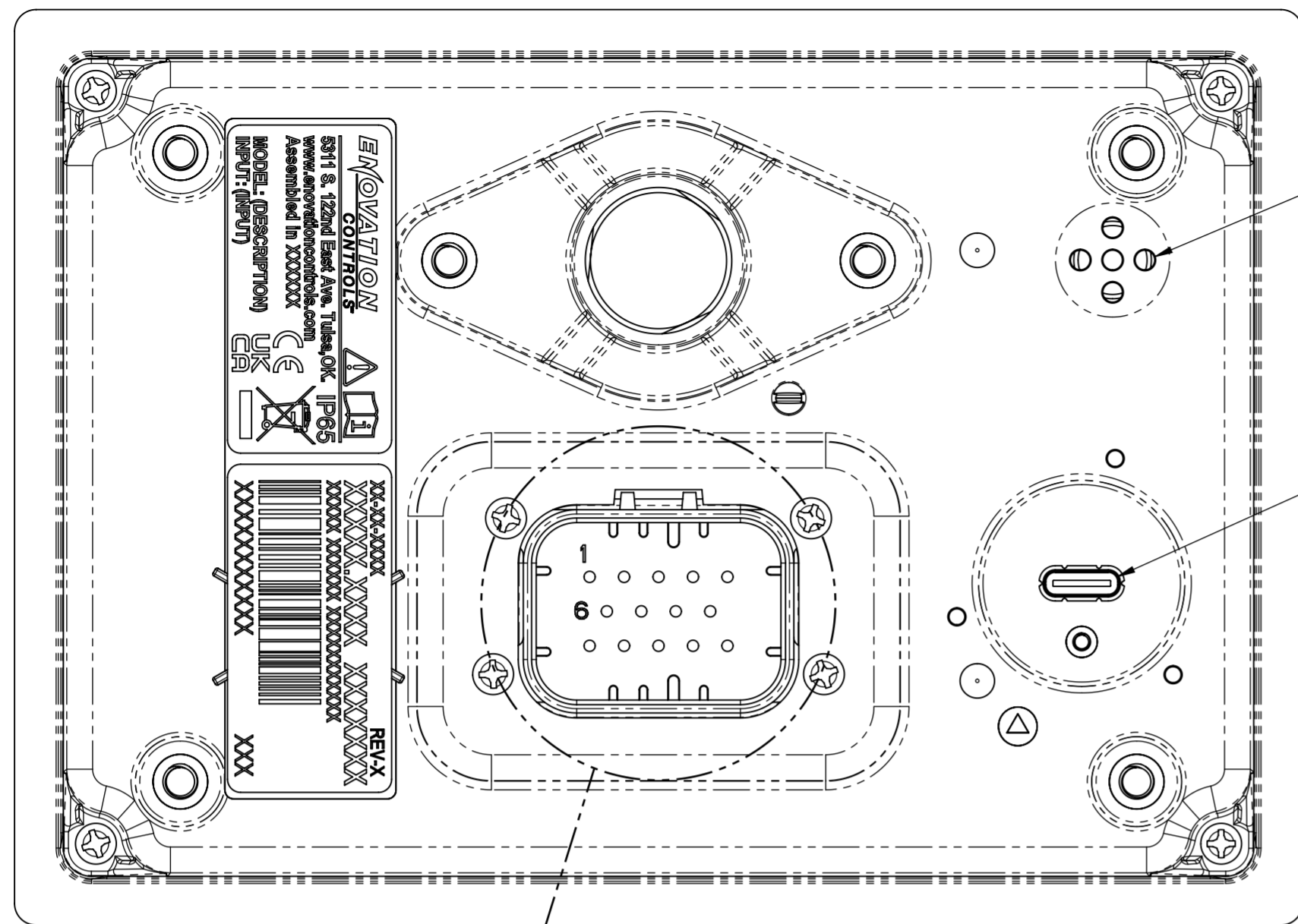
Projected capacitive (PCAP) with glove touch

BUZZER

For alarms and notifications. 80dB, Adjustable frequency

DESCRIPTION				TECHNICAL DRAWING, OV-S50-TCA0-L	
PART NUMBER	78020140	DRAWING NUMBER	78020140	REVISION	
CAD FILE	78020140.SLDASM	SCALE	1:1 AND NOTED	SHEET SIZE	A2
			SHEET	2 OF 4	
			C		

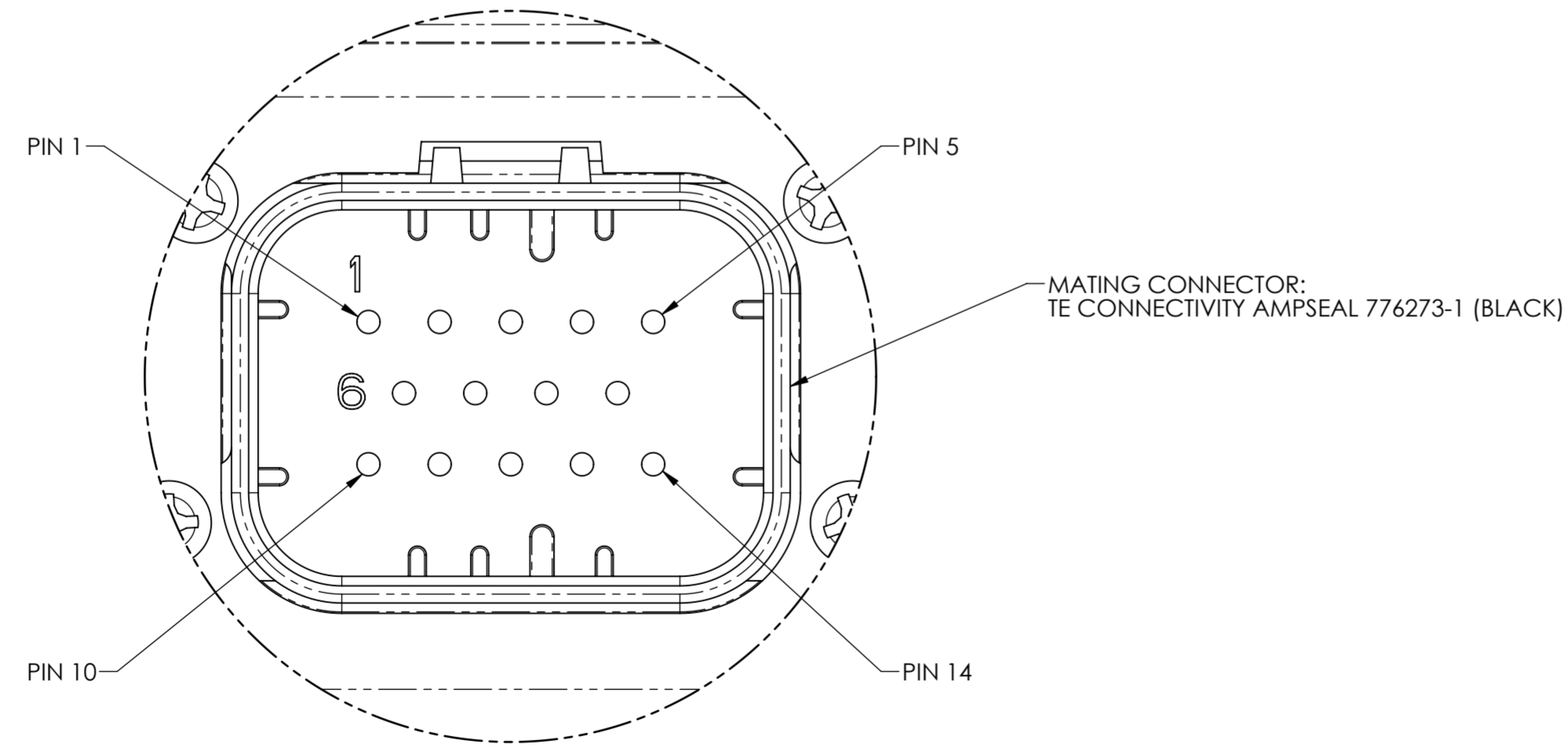
CONNECTIONS



BUZZER

USB-C CONNECTOR

A

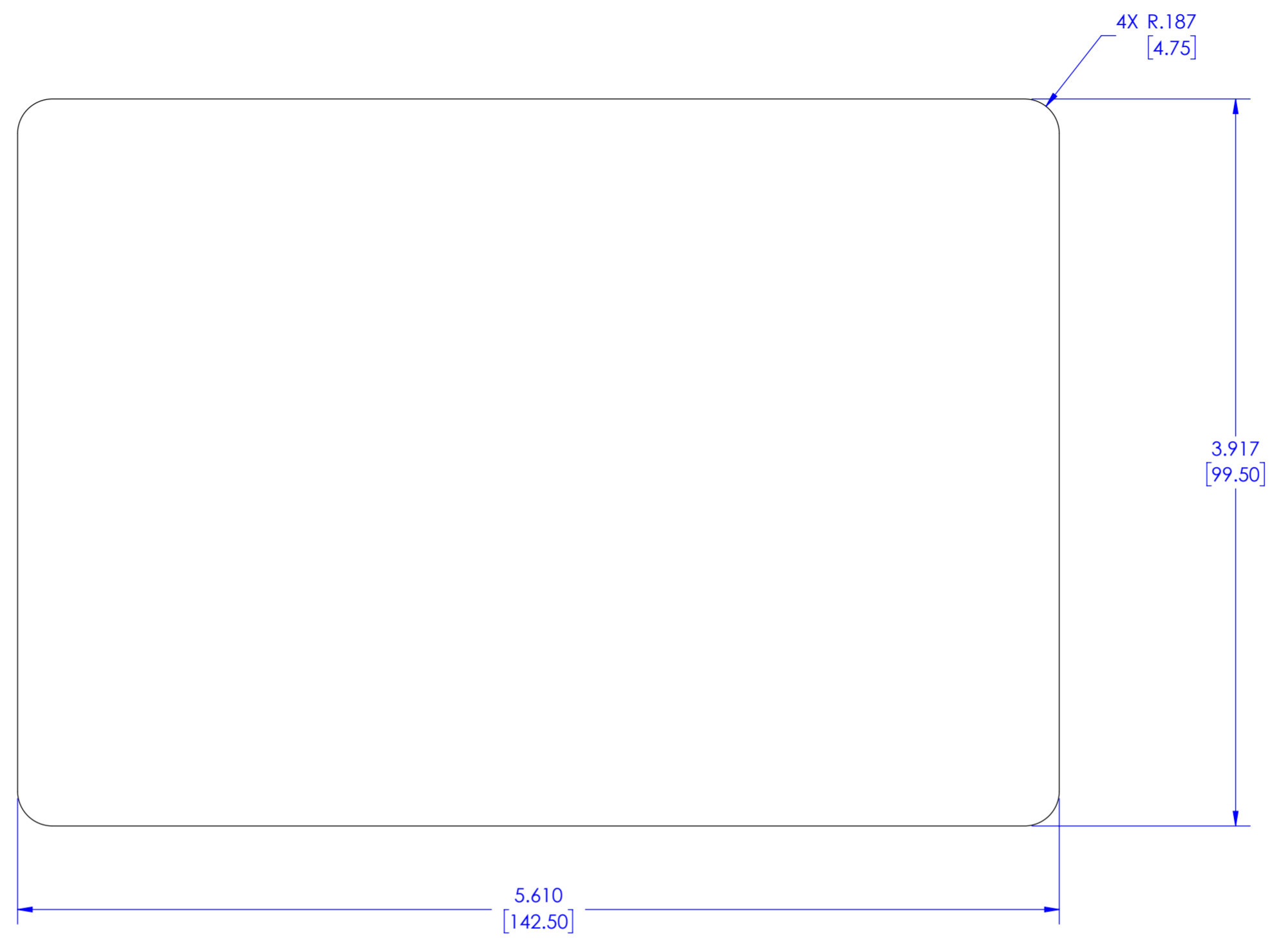


MATING CONNECTOR:
TE CONNECTIVITY AMPSEAL 776273-1 (BLACK)

DETAIL A
SCALE 3 : 1

CONNECTOR PINOUT	
PIN #	FUNCTION
1	GND
2	CAN1_HI/RS485_A
3	CAN1_LO/RS485_B
4	CAN2_HI
5	DOUT2/AUD OUT R
6	VBAT
7	IGN
8	CAN2_LO
9	N.C
10	DIN1/MIC1 N
11	AIN1/MIC1 P
12	AIN2/MIC2 P
13	DIN2/MIC2 N
14	DOUT1/AUD OUT L

PANEL CUT-OUT DIMENSIONS



FULL SCALE

DESCRIPTION			
TECHNICAL DRAWING, OV-S50-TCA0-L			
PART NUMBER	DRAWING NUMBER	REVISION	
78020140	78020140	C	
CAD FILE	SCALE	SHEET SIZE	SHEET
78020140.SLDASM	1.5:1 AND NOTED	A2	4 OF 4