



by **ENOVATION** CONTROLS



# PowerView<sup>®</sup> Model PV500

## *Installation Manual*

---

00-02-1183  
21-02-18  
Section 78

In order to consistently bring you the highest quality, full-featured products, we reserve the right to change our specifications and designs at any time. The latest version of this manual can be found at [enovationcontrols.com](http://enovationcontrols.com).

**Warranty** - A limited warranty on materials and workmanship is given with this Murphy product. A copy of the warranty may be viewed or printed by going to [www.enovationcontrols.com/warranty](http://www.enovationcontrols.com/warranty)



Please read the following information before installing.

**BEFORE BEGINNING INSTALLATION OF THIS MURPHY PRODUCT:**

Read and follow all installation instructions.

Please contact Enovation Controls immediately if you have any questions.



This product can expose you to chemicals including lead, which is known to the State of California to cause cancer. For more information, go to [www.P65Warnings.ca.gov](http://www.P65Warnings.ca.gov).

<b>Revision Table</b>
05/31/2019 - Creation of new document
07/16/2019 - Added dimension diagrams, kit numbers, etc.
07/18/2019 - Reformatting
08/12/2019 - Upgraded Pinout Drawing
09/30/2019 - Engineering Review Changes
10/04/2019 - Operating Temp Update
10/08/2019 – 11/21/2019 - Tech Services review changes
2/18/2021 – Updated part numbers, Input/Output Specifications

## Table of Contents

Hardware Installation .....	3
Inspecting Package Contents.....	3
Surface-Mounted Installation.....	3
Preparing the Dash .....	4
Surface-Mounting the Unit .....	6
Flush-Mounted Installation: .....	6
Flush-Mounting the Unit.....	8
Available Accessories for the PV500 .....	8
Pinout Specifications.....	9
Standard Version .....	9
Configuration Information.....	10
Specifications .....	11
Dimensions .....	13

THIS PAGE INTENTIONALLY LEFT BLANK

## Hardware Installation

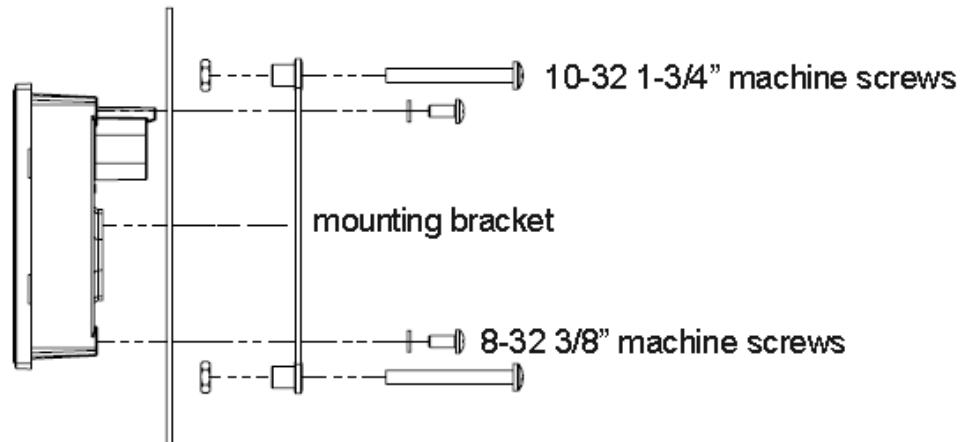
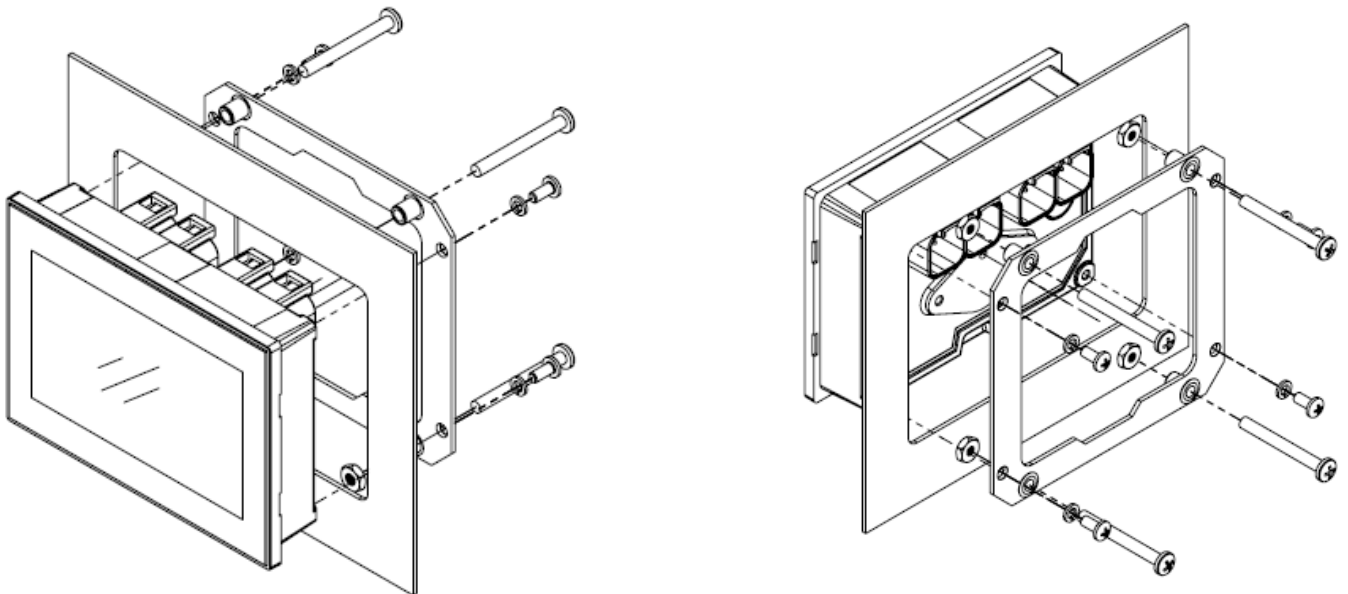
The following instructions will guide you through installing the PowerView display.

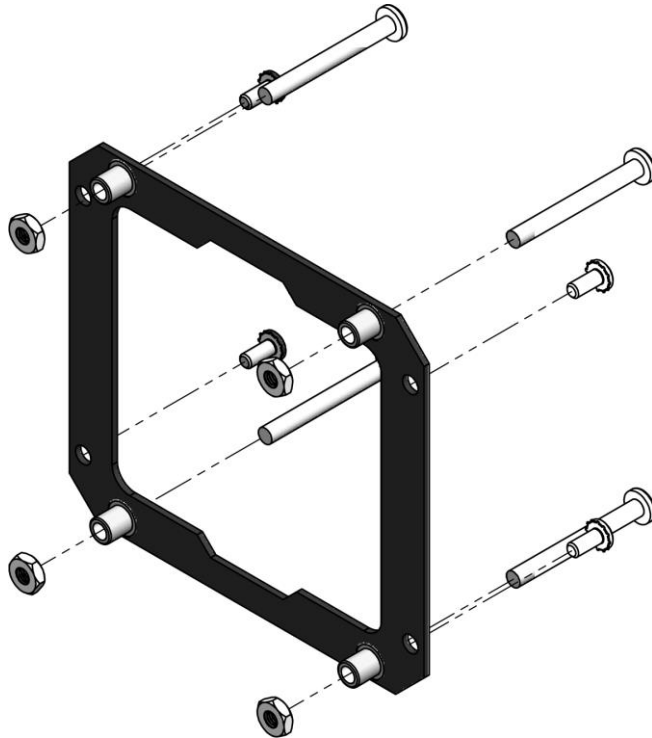
### Inspecting Package Contents

Before attempting to install the product, it is recommended that you ensure all parts are accounted for and inspect each item for damage (which sometimes occurs during shipping). The items included in the box are:

- PV500 unit
- Installation manual web reference insert

### Surface-Mounted Installation





Installation Kit – P/N 78051705 includes

- Mounting Bracket
- Five 8-32 machine screws
- Five 10-32 1-3/4" machine screws
- Five 10-32 3/8" nuts
- Five #8 washers

Tools needed.

- Drill with 7/32 in. size bit
- Jigsaw
- Screw Driver

## Preparing the Dash

Determine the location of the PV500 in the dash. Cut a hole in the dash to these dimensions:

Surface Mount:



## **Surface-Mounting the Unit**

1. Place the back side of the display through the opening so the display will sit on the face of the dash.
2. Use the included four long screws and locking nuts from the mounting kit (78051705) to attach the unit to the bracket.
3. Torque to 10 inch-pounds.

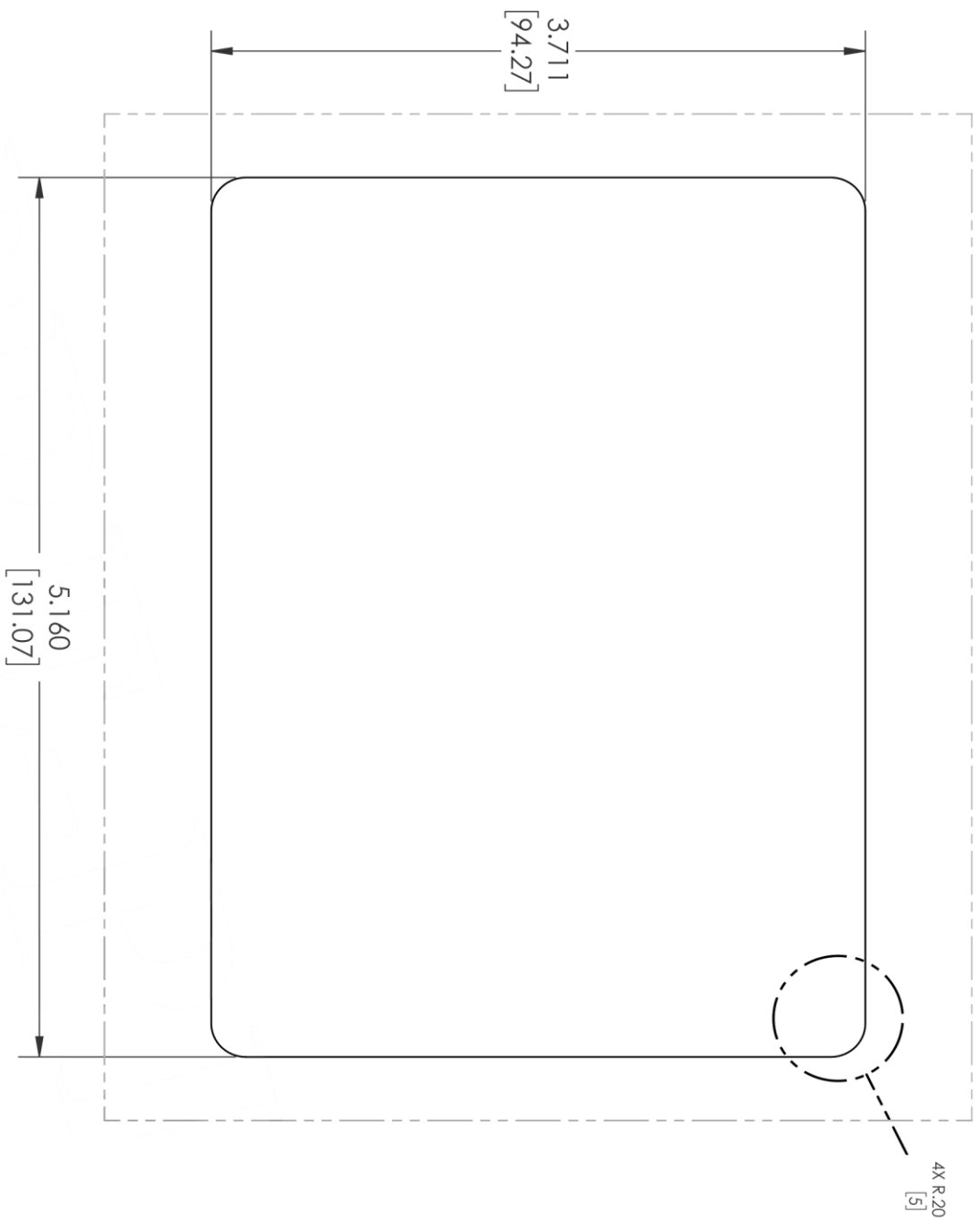
## **Flush-Mounted Installation:**

---

This method requires the 78051705 Installation Bracket.



FLUSH MOUNT PANEL CUTOUT DIMENSIONS  
FULL SCALE



## Flush-Mounting the Unit

1. Place the back side of the display through the opening in the dash.
2. Evenly pull the display to be flush with the panel
3. Use the included four long screws and four locking nuts from the mounting kit (78051705) to attach the unit to the bracket.
4. Torque to 10 inch-pounds.

## Available Accessories for the PV500

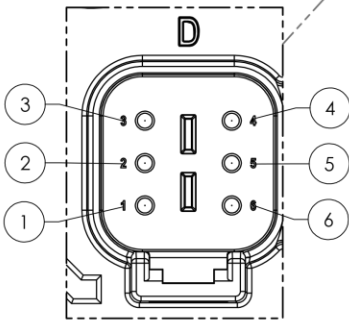
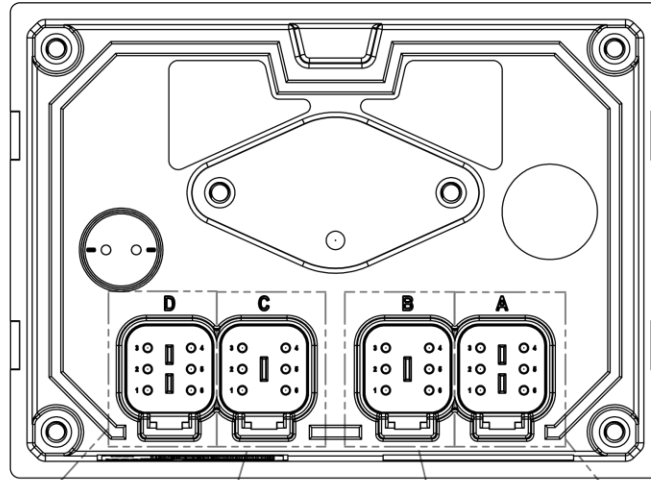
---

The following PV500 accessories are available through Enovation Controls:

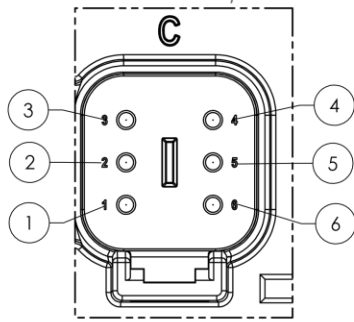
Part Number	Description	Order Details
78700664	PV500-LT, Non-connected	Display
78090104	Programming Kit, PV450/PV780	Accessories
78051705	Kit, Mounting Bracket, PV500	
78000668	Wire Harness, USB Adaptor	

# Pinout Specifications

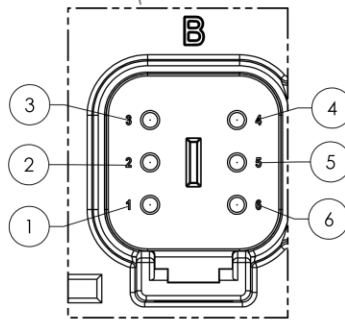
## Standard Version



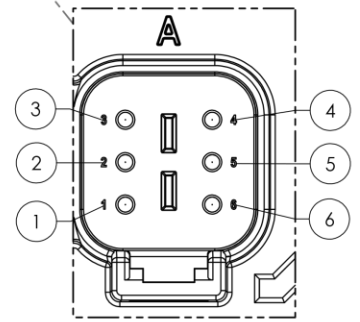
6-POS CONNECTOR-D	
PIN #	FUNCTION
1	VIDEO 1 GROUND
2	VIDEO 2 GROUND
3	RS485 LOW
4	RS485 HIGH
5	VIDEO IN 2
6	VIDEO IN 1



6-POS CONNECTOR-C	
PIN #	FUNCTION
1	DIGITAL IN 1
2	CAN 2 HIGH
3	CAN 2 LOW
4	DIGITAL OUT 2
5	ANALOG IN 1
6	ANALOG IN 1 RETURN



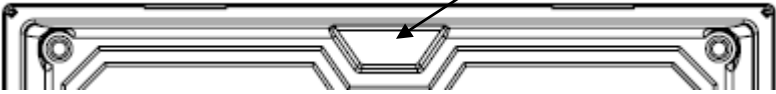
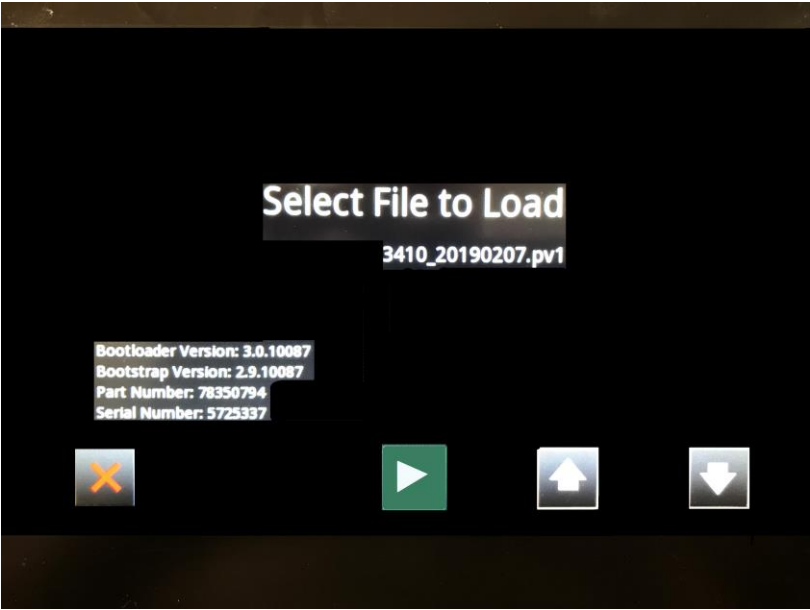
6-POS CONNECTOR-B	
PIN #	FUNCTION
1	BATTERY
2	CAN 1 HIGH
3	CAN 1 LOW
4	DIGITAL OUT 1
5	IGNITION
6	GROUND



6-POS CONNECTOR-A	
PIN #	FUNCTION
1	USB 5V
2	USB D+
3	USB D-
4	NO CONNECT
5	USB SHIELD
6	USB GROUND

## Configuration Information

Follow these steps to download a custom configuration to the PV500 display:

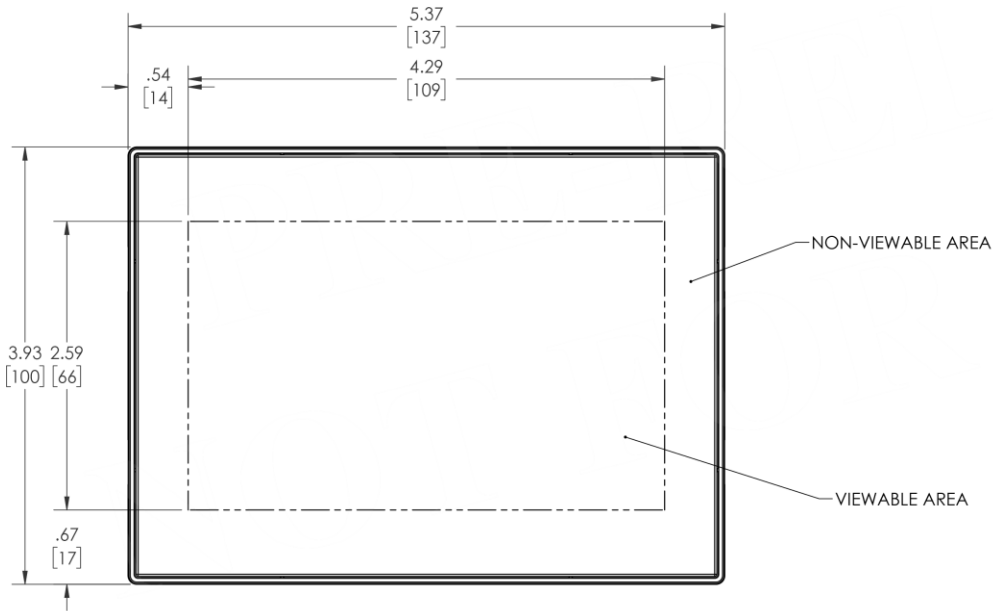
Step	Action
1	Turn off the display.
2	Insert the USB harness 78000668 into Port A of the display. Then insert a USB drive that contains the new configuration file into the USB connector on that harness.
3	Place a magnet into the notch shown here on the upper middle side of the back of the display: 
4	Power the display back on, continually holding the magnet in place.
5	Remove the magnet when the display shows the utility for loading new software. 
6	Touch the up or down arrow keys on the screen until the appropriate configuration file from the USB to be loaded into the display is shown on the screen.
7	Press the right arrow/green arrow key on the screen twice to load the selected configuration.
8	Once completed, the unit will reboot into the loaded application.

## Specifications

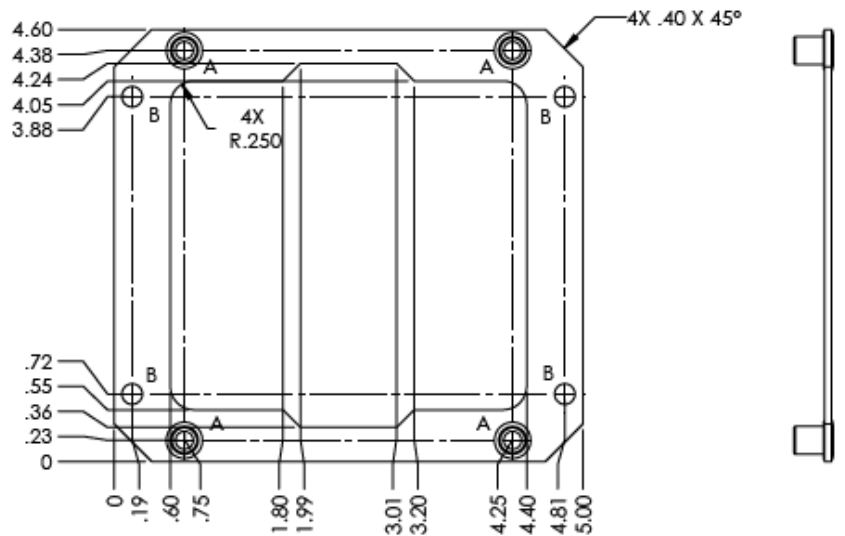
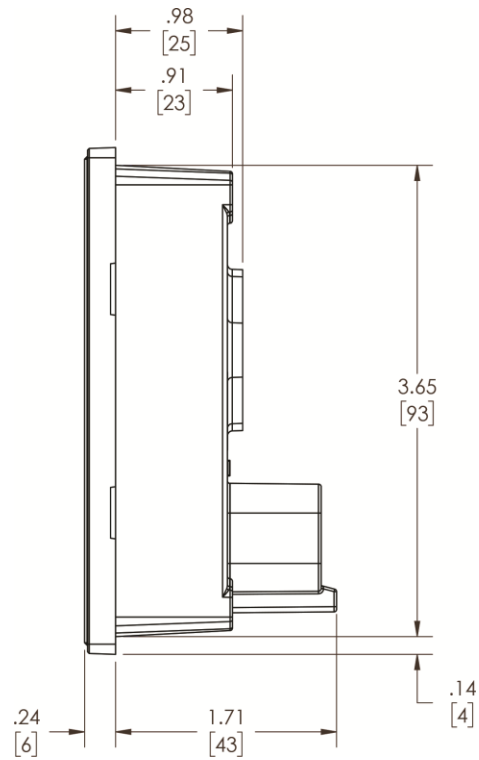
Computing	
<b>Main Processor:</b>	Renesas® RZ/G1E Arm® Cortex®-A7 Dual core processor @ 1.0 GHz
<b>Operating System:</b>	QNX® Real-time Operating System
<b>Storage:</b>	8 GB
<b>Ram:</b>	256 MB
Display	
<b>Type:</b>	5" (108mm [H] x 64.8mm [W]) 24-bit LED backlight LCD
<b>Resolution:</b>	800 x 480 pixels
<b>Contrast Ratio:</b>	1000:1 (typical)
<b>Brightness:</b>	900 (cd/m <sup>2</sup> , nits) (typical)
<b>Surface:</b>	Anti-glare
<b>Touch Panel:</b>	Projected capacitive (PCAP) with glove touch
Hardware	
<b>Real-time Clock:</b>	Li-Ion battery backup (Typ. lifespan 10 years), non-rechargeable, non-replaceable
<b>Connectors:</b>	(4) 6-position DEUTSCH® style DT series
<b>Video Inputs:</b>	(2) NTSC/PAL (Single channel viewable)
Communication	
<b>CAN:</b>	(2) CAN 2.0B according to ISO 11898-2, J1939, proprietary messaging
<b>USB:</b>	(1) USB 2.0 Full Speed Host
<b>Serial:</b>	(1) RS-485 MODBUS Master/Slave Port

<b>Electrical</b>	
<b>Operating Voltage:</b>	6 – 36 VDC, reverse polarity protected. Max current draw @ 12 V: 0.438A with Backlight ON Min current draw @ 12 V: 0.318A with Backlight OFF Max current draw @ 24 V: 0.297A with Backlight ON Min current draw @ 24 V: 0.202A with Backlight OFF
<b>Outputs:</b>	(2) 500 mA Switched Low-side
<b>Inputs:</b>	(1) Analog 0-5 VDC, 4-20 mA, or resistive, 10-bit resolution (1) Discrete digital, Active low Input (switch to gnd), 20mA switch wetting current
<b>Environmental</b>	
<b>Operating Temps:</b>	-30°C to +85°C (-22°F to +185°F)
<b>Storage Temps:</b>	-40°C to +85°C (-40°F to +185°F)
<b>Protection:</b>	IP66 and IP67, front and back, for outdoor use
<b>Vibration:</b>	Random Vibration: 8.17 Grms (5 – 2000Hz), 3 axes
<b>Shock:</b>	± 50G in 3 axes
<b>EMC/EMI:</b>	SAE J1113, ISO 13766, CE per 2014/30/EU

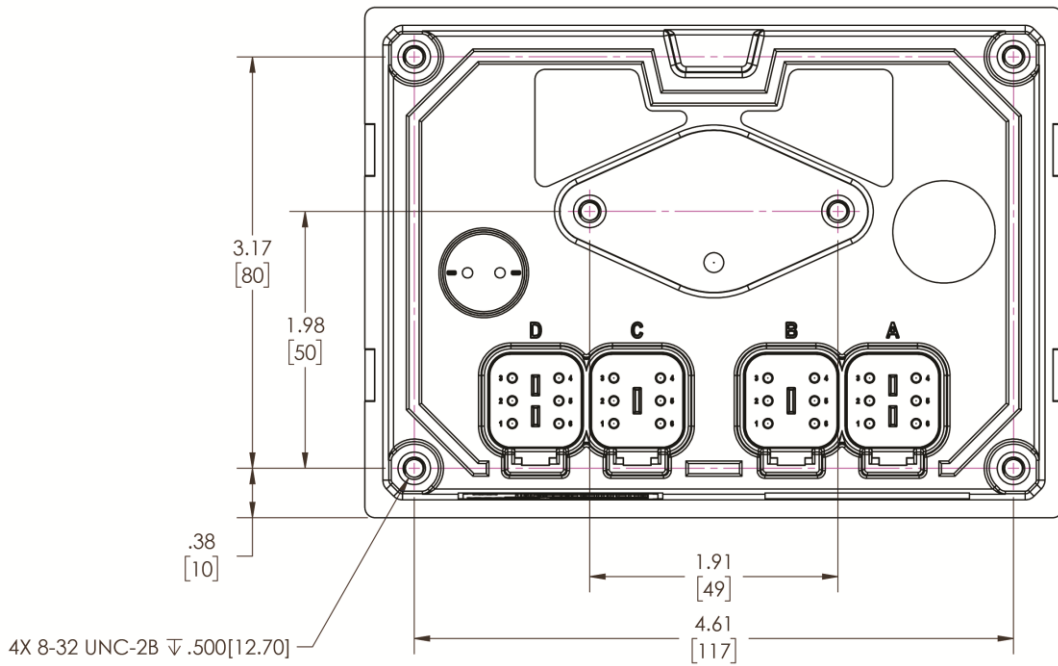
# Dimensions



.2



Part # 78051705 Mounting Bracket





*In order to consistently bring you the highest quality, full-featured products, we reserve the right to change our specifications and designs at any time. MURPHY products and the Murphy logo are registered and/or common law trademarks of Enovation Controls, LLC. This document, including textual matter and illustrations, is copyright protected by Enovation Controls, LLC, with all rights reserved. (c) 2021 Enovation Controls, LLC. A copy of the warranty may be viewed or printed by going to [www.enovationcontrols.com/warranty](http://www.enovationcontrols.com/warranty)*

**ENOVATION CONTROLS CORPORATE HEADQUARTERS**

5311 S 122ND EAST AVENUE  
TULSA, OK 74146

**ENOVATION CONTROLS LTD. – UNITED KINGDOM**

CHURCH ROAD LAVERSTOCK  
SALISBURY SP1 1QZ UK

**SUN MURPHY INTERNATIONAL TRADING (SHANGHAI) CO., LTD**

B15 ROOM, 6# BUILDING, 351 SIZHUAN ROAD  
SONGJIANG DISTRICT, SHANGHAI 201601, CHINA

**ENOVATION CONTROLS INDIA PVT. LTD.**

301, 3RD FLOOR, KRSNA CHAMBERS,  
11 GALAXY GARDENS, NORTH MAIN ROAD,  
KOREGAON PARK, PUNE 411001,  
MAHARASHTRA, INDIA

**U.S. SALES & SUPPORT**

PHONE: 918 317 4100  
EMAIL: [SALES@ENOVATIONCONTROLS.COM](mailto:SALES@ENOVATIONCONTROLS.COM)  
[WWW.ENOVATIONCONTROLS.COM](http://WWW.ENOVATIONCONTROLS.COM)

**MURPHY INDUSTRIAL PANEL DIVISION**

PHONE: 918 317 4100  
EMAIL: [IPDSALES@ENOVATIONCONTROLS.COM](mailto:IPDSALES@ENOVATIONCONTROLS.COM)

**INTERNATIONAL SALES & SUPPORT**

**EUROPE, MIDDLE EAST, AFRICA**

PHONE: +44 1722 410055  
EMAIL: [SALES@ENOVATIONCONTROLS.EU](mailto:SALES@ENOVATIONCONTROLS.EU)

**CHINA**

PHONE: +86 21 6237 5885  
EMAIL: [APSALES@ENOVATIONCONTROLS.COM](mailto:APSALES@ENOVATIONCONTROLS.COM)

**INDIA**

PHONE: +91 91581 37633  
EMAIL: [INDIASALES@ENOVATIONCONTROLS.COM](mailto:INDIASALES@ENOVATIONCONTROLS.COM)



FM 28221 (Tulsa, OK - USA)  
FM 29422 (UK)