

CVT100/100Z

**DC INPUT CURRENT AND VOLTAGE TRIPS
GENERAL PURPOSE, 11 PIN PLUG-IN TYPE**

The CVT100 is a general purpose range of current and voltage monitoring trip relays. The units can be supplied in many different configurations, for use with a wide range of DC sources and sensors. Applications include the monitoring of pressure and fluid level transmitters, thermocouples, DC voltage levels and current consumption.

Each unit is supplied pre-calibrated to a user specified range; common ranges include 0 - 5 mA, 4 - 20 mA and 0 -10 V. On standard units, the trip point is adjusted via a rotary potentiometer on the top of the casing: each trip range is represented as 0 - 100 % on control scale. On CVT100Z units, the potentiometer is mounted remotely.

Versions are also available specifically for use with J or K type thermocouples, with trip ranges of 0 - 200°C, 300 °C, 400 °C and 800 °C. These units incorporate thermocouple linearisation, cold junction compensation and break protection as standard.

Standard units contain a two pole changeover relay, pre-set to de-energise on either high or low input (when the input is above or below the trip point). On thermocouple versions, the relay will also de-energise during an open circuit input. An LED indicator lights when the relay is energised.

The trip is powered from an auxiliary AC supply. Many variations on the standard unit are available - please contact our Sales office with your requirements

For DIN rail mounted DC trips, please see data sheet M060201 (CVT500 series).

When ordering, please specify:--

- a) Product type number (CVT100 or CVT100Z)
- b) Power supply voltage
- c) Input voltage/current range, or thermocouple type and temperature range
- d) Relay de-energisation on high or low input

Accessories:--

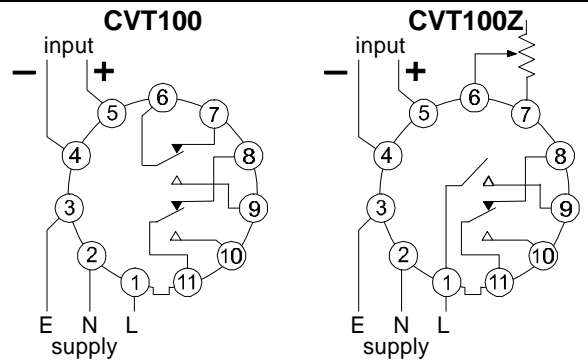
- SB11** 11 pin, DIN rail/surface mount base for above
- RCL/L** Elastic retaining strap for CVT100 and SB11



Product Specifications

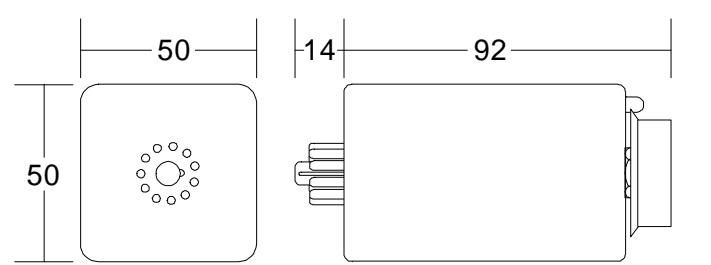
	CVT100	CVT100Z
Power supply: operating voltage power consumption	100 – 125 VAC or 200 – 250 VAC < 4 VA	
Input: signal/trip ranges sensitivity	various scales in the DC ranges 5 mV to 100 V, 1mA to 5 A and for use with J or K type thermocouples 0.05 mV	
Relay output contacts:	volt free DPCO rated 5 A max. @ 240 V AC1 2 x 10 ⁵ operations	volt-free SPCO + NO switched AC
Physical: operating temperature weight	-10 to +55 °C approx. 210 g	

Connection



Relays shown de-energised

Dimensions



Frank W. Murphy Manufacturer
PO Box 470248, Tulsa, Oklahoma 74147, USA
Tel: +1 918 627 3550 Fax: +1 918 664 6146
email: sales@fwmurphy.com
web: http://www.fwmurphy.com

Frank W. Murphy Southern Division
PO Box 1819, Rosenberg, Texas 77471, USA
Tel: +1 281 342 0297 Fax: +1 281 341 6006
email: sales@fwmurphy.com

Murphy Switch of California
PO Box 900788, Palmdale, California 93590, USA
Tel: +1 805 272 4700 Fax: +1 805 947 7570
email: sales@murphyswitch.com
web: http://www.murphyswitch.com

Murphok Pty. Ltd.
1620 Hume Highway, Campbellfield, Vic. 3061 Australia
Tel: +61 3 9358 5555 Fax: +61 3 9358 5558
email: murphy@macquarrie.com.au

Murphy de Mexico S.A. de C.V.
Blvd. Antonio Rocha Cordero 300, Fracción del Aguaje
San Luis Potosí, S.L.P. México 78384
Tel: +52 48 206264 Fax: +52 48 206336
email: murmexsil@sanluis.podernet.com.mx

Frank W. Murphy Ltd.
Incorporating Modex Automation
Church Road, Laversham, Salisbury U.K.
Tel: +44 1722 410055 Fax +44 1722 410088
Pour service en Français, tél: +44 1722 410697
email: sales@fwmurphy.co.uk
web: http://www.fwmurphy.co.uk

Frank W. Murphy Ltd. en France
Tel: +33 (1) 30 76 26 26 Fax: +33 (1) 30 76 39 89
Direct usine Tel: +44 1722 410697
email: sales@fwmurphy.co.uk

Frank W. Murphy Pte. Ltd.
No. 2 Tuas South Street 2, Sprintecs Building
#02-01/02, Singapore 637895
Tel: +65 863 1398 Fax: +65 863 0208
email: fwmurphy@fwmurphy.com.sg