

76.TS

Temperature Switch

A compact and economical temperature switch for signalling high temperature faults, the 76.TS is ideally suited for direct mounting to engines, pumps, compressors and gearboxes.

The SPDT switch contacts are factory set to operate at 105°C rising. Connection to the contacts is via 1/4" (6.25mm) blade terminals.



Specifications

Temperature ratings

Operating range: 20 to 140°C (68 - 284°F)

Switch setting: 105°C (221°F) rising, non-adjustable

Switch differential: auto reset at approx 9°C below rising switch setting

Tolerance: +/- 3.0°C

Max. over temperature: 25°C above set point

Contacts

Contact type: SPDT contacts (volt-free/dry)

Rating: 5A max @ 24VDC (resistive), 2A max @ 24VDC (inductive)

Connection terminals: 6.35mm (1/4 in.) blades

Physical

Body type/material: 32 A/F hex, passivated steel, zinc plated

Diaphragm material: stainless steel

Bulb material: brass

Case sealing: IP65

Max external bulb pressure: 12 bar / 174 psi / 1200 kPa

Process connection: 1/2 in. NPTF

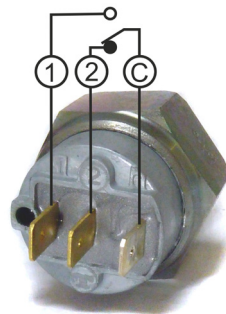
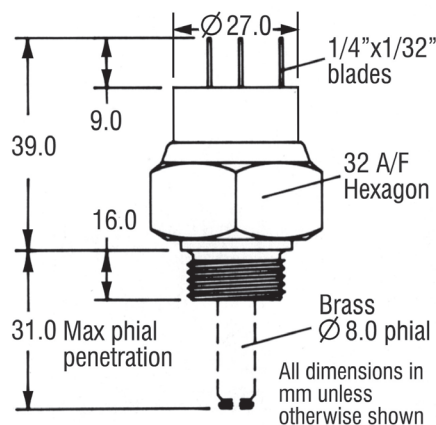
Max. tightening torque: 60 Nm

Max. body temperature: 120°C (248°F)

Acceleration: 8g max

Weight: approx 140g

Dimensions & Connection



How to Order

Stock code	Description
76.TS.D105	76.TS temperature switch, 1/2" NPTF, 105° rising

Special temperature settings and thread sizes are available for volume orders. Please contact our sales office for details.

ENOVATION CONTROLS LTD. – UNITED KINGDOM
CHURCH ROAD, LAVERSTOCK
SALISBURY, SP1 1QZ, UK

INTERNATIONAL SALES & SUPPORT
EUROPE, MIDDLE EAST, AFRICA
PHONE: +44 1722 410055
EMAIL: SALES@ENOVATIONCONTROLS.EU

INDIA
PHONE: +91 91581 37633
EMAIL: INDIASALES@ENOVATIONCONTROLS.COM

