

# ERC Core Balance Transformers

ms5776  
revision C, 29<sup>th</sup> March 2007  
catalogue section 75

A range of core balance transformers for use with Murphy ECD and ELD earth current detector units, allowing these units to be used in applications with larger cable diameters and higher system trip currents.

Note: these transformers are not fully insulated; bus bars require insulating sleeves.

## Core Balance Transformers (without screen)

Model	Ratio	VA	Approx. Dimensions (mm)					Approx. Weight (g)
			A	B	C	D	F	
ERC1	300:3	5	67	110	30	100	67	595
ERC2	500:5	5	150	190	30	150	108	1201
ERC3	300:3	5	55	90	30	100	57	405
ERC4	500:5	5	200	250	30	150	138	1808
ERC5	500:5	5	80	125	30	100	75	883
ERC6	500:5	5	100	145	30	100	85	784

## Core Balance Transformers (with screen)

(N.B. these items are supplied without fixing feet)

ERC12	500:5	5	250	350	35	-	-	8.4 Kg
ERC13	500:5	5	300	400	35	-	-	10.0 Kg

## Warranty

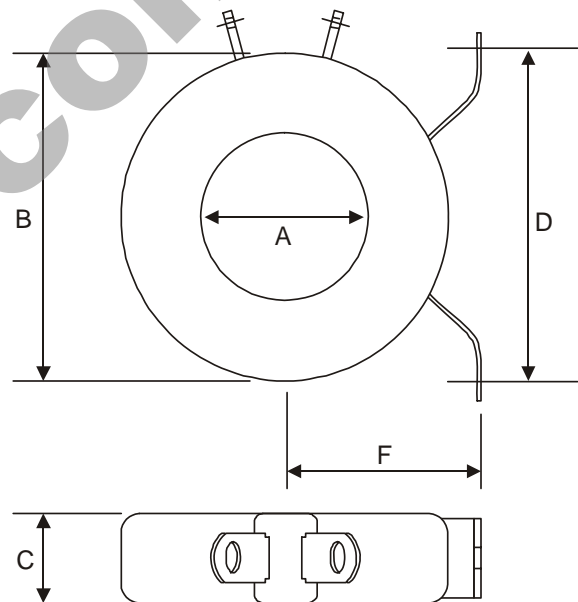
A two year limited warranty on materials and workmanship is given with this Murphy product. Details are available on request and at [www.fwmurphy.co.uk/warranty](http://www.fwmurphy.co.uk/warranty).

## How to order:-

Stock number	Model/description
76.70.1089	ERC1 transformer, 67mm internal diameter
76.70.1090	ERC2 transformer, 150mm internal diameter
76.70.1091	ERC3 transformer, 55mm internal diameter
76.70.1092	ERC4 transformer, 200mm internal diameter
76.70.1093	ERC5 transformer, 80mm internal diameter
76.70.1094	ERC6 transformer, 100mm internal diameter
76.70.1129	ERC12 transformer, 250mm internal diameter
76.70.1130	ERC13 transformer, 300mm internal diameter



## Dimensions



- A Internal Diameter
- B External Diameter
- C Width
- D Fixing centres on feet
- F From bottom of mounting foot to centre of aperture



**FRANK W. MURPHY LTD.**  
Church Rd, Laverstock,  
Salisbury, SP1 1QZ, United Kingdom  
tel: +44 1722 410055  
fax: +44 1722 410088  
email: [sales@fwmurphy.co.uk](mailto:sales@fwmurphy.co.uk)  
web: [www.fwmurphy.co.uk](http://www.fwmurphy.co.uk)

**FW MURPHY**  
PO Box 470248  
Tulsa, Oklahoma 74147, USA  
tel: +1 918 317 4100  
fax: +1 918 317 4266  
email: [sales@fwmurphy.com](mailto:sales@fwmurphy.com)  
web: [www.fwmurphy.com](http://www.fwmurphy.com)



USA - ISO9001:2000 FM 28221  
UK - ISO9001:2000 FM 29422

In order to consistently bring you the highest quality, full featured products, we reserve the right to change our specifications and designs at any time. MURPHY, the Murphy logo, are registered and/or common law trademarks of Murphy Industries, Inc. This document, including textual matter and illustrations, is copyright protected by Frank W Murphy Ltd., with all rights reserved. © 2006 Frank W Murphy Ltd.