

AT series tachometers

yi6474
2012-02-02
section 20

Application note: transition to new models (EMEA region)



General Information

Murphy is pleased to announce the transition to our new and improved AT series tachometer range. The new tachometers can be used as drop-in replacements for our previous models, but please note the following features and differences:

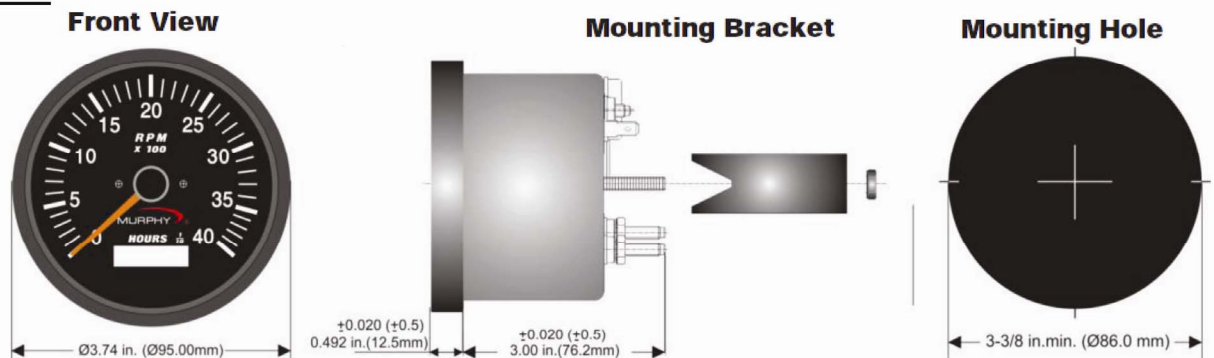


- Improved quality
- Scale/bezel options:
 - EMEA region standard models have a 0 - 3000 RPM scale, with SAE black stainless steel bezel.
 - 0 - 4000 RPM scales are also available with all bezel options: standard or SAE style, in bright or black stainless steel.
- Size: new and old models are similar in size (see diagrams below), designed for fitting in an 86 mm (3 3/8 in.) panel cut-out.
- Electrical connection: studs are in a new location at the back of the tachometer (see diagrams below).
- Power supply: new models have a universal 12/24 VDC (11 – 28V) supply. (Previously, 12V models could be converted for 24V operation by the addition of an ATVC voltage convertor.)
- Backlight: a separate blade terminal allows optional connection to a filament bulb backlight (as previous models). A 12V bulb is fitted as standard. For 24V operation, a replacement bulb must be fitted (supplied loose with every unit).
- Mounting clamp: new models use a metal clamp (in place of the plastic clamp on old models).
- Calibration: new models use a 10-way DIL switch and fine adjustment potentiometer to set speed calibration (in place of the course rotary switch and fine adjustment pot on old models).

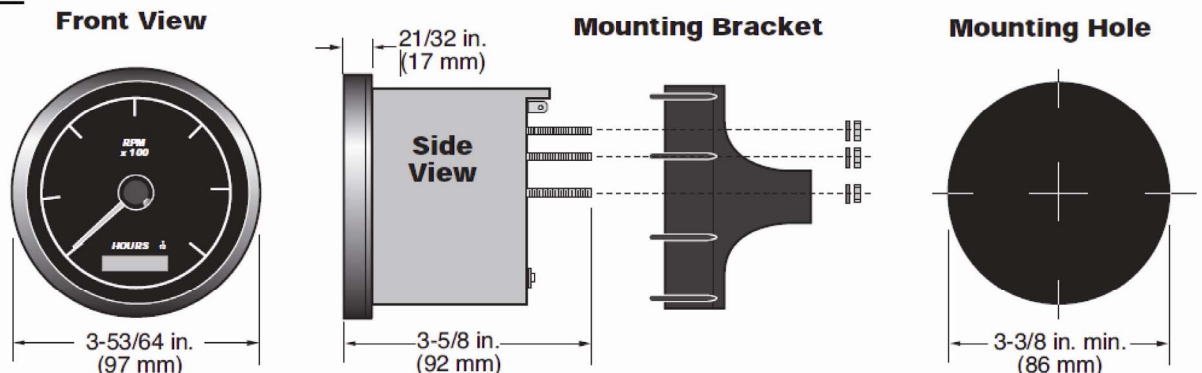
For full information on the new AT series tachometers, please refer to installation instructions 00-02-0260.

Dimensions

New Version:

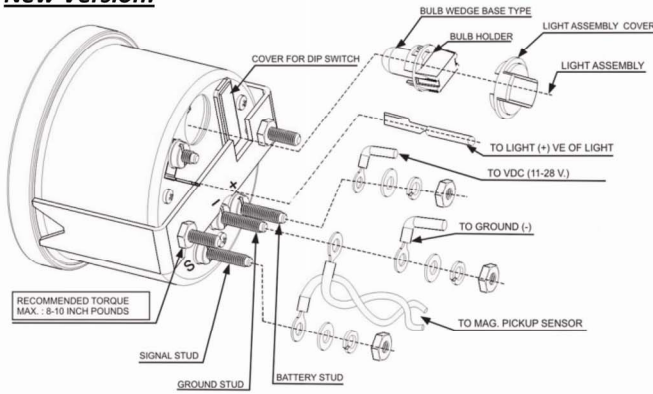


Old Version:

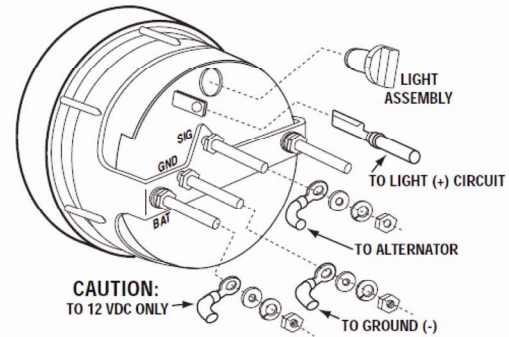


Electrical Connection

New Version:

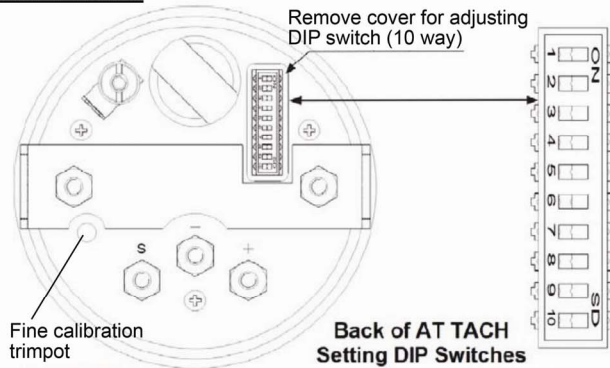


Old Version:

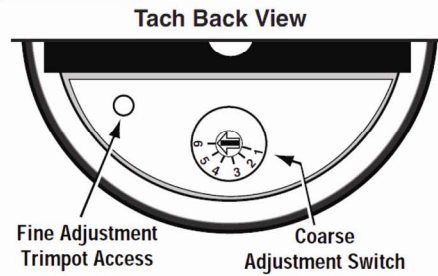


Calibration

New Version:



Old Version:



Order codes

Old models		Nearest equivalent new model(s)	
Murphy EMEA stock (model) code	Description (all models below are 12V DC supply, 0 – 3000 RPM scale)	Murphy EMEA stock code	Model/Description (all models below are 12 & 24V supply)
ATA-30-12	Tachometer, alt. sensing, bright SS bezel	20.70.0134	ATA-40, as old model but 0 – 4000 RPM
ATA-30-12-A	Tachometer, alt. sensing, black SS bezel	20.70.0135	ATA-40-A, as old model but 0 – 4000 RPM
ATA-30-12-B	Tachometer, alt. sensing, SAE bright SS bezel	20.70.0236 20.70.0136	ATA-30-B, equivalent model ATA-40-B, as old model but 0 – 4000 RPM
ATA-30-12-C	Tachometer, alt. sensing, SAE black SS bezel	20.70.0234	ATA-30-C, equivalent model
ATHA-30-12	Tach/hourmeter, alt. sensing, bright SS bezel	20.70.0137	ATHA-40, as old model but 0 – 4000 RPM
ATHA-30-12-A	Tach/hourmeter, alt. sensing, black SS bezel	20.70.0141	ATHA-40-A, as old model but 0 – 4000 RPM
ATHA-30-12-B	Tach/hourmeter, alt. sensing, SAE bright SS bezel	20.70.0237 20.70.0139	ATHA-30-B, equivalent model ATHA-40-B, as old model but 0 – 4000 RPM
ATHA-30-12-C	Tach/hourmeter, alt. sensing, SAE black SS bezel	20.70.0239 20.70.0140	ATHA-30-C, equivalent model ATHA-40-C, as old model but 0 – 4000 RPM
ATS-30-12	Tachometer, mag. pickup sensing, bright SS bezel	20.70.0227	ATS-40, as old model but 0 – 4000 RPM
ATS-30-12-A	Tachometer, mag. pickup sensing, black SS bezel	20.70.0228	ATS-40-A, as old model but 0 – 4000 RPM
ATS-30-12-B	Tachometer, mag. pickup sensing, SAE bright SS bezel	20.70.0240 20.70.0229	ATS-30-B, equivalent model ATS-40-B, as old model but 0 – 4000 RPM
ATS-30-12-C	Tachometer, mag. pickup sensing, SAE black SS bezel	20.70.0238 20.70.0230	ATS-30-C, equivalent model ATS-40-C, as old model but 0 – 4000 RPM
ATHS-30-12	Tach/hourmeter, mag. pickup sensing, bright SS bezel	20.70.0142	ATHS-40, as old model but 0 – 4000 RPM
ATHS-30-12-A	Tach/hourmeter, mag. pickup sensing, black SS bezel	20.70.0143	ATHS-40-A, as old model but 0 – 4000 RPM
ATHS-30-12-B	Tach/hourmeter, mag. pickup sensing, SAE bright SS bezel	20.70.0241 20.70.0225	ATHS-30-B, equivalent model ATHS-40-B, as old model but 0 – 4000 RPM
ATHS-30-12-C	Tach/hourmeter, mag. pickup sensing, SAE black SS bezel	20.70.0235 20.70.0226	ATHS-30-C, equivalent model ATHS-40-C, as old model but 0 – 4000 RPM
20.70.0176	ATVC voltage convertor for 24V operation	-	Not required for new 12/24V models



FRANK W MURPHY LTD.

Church Road, Laverstock, Salisbury, SP1 1GZ, United Kingdom
 tel: +44 (0)1722 410055 fax: +44 (0)1722 410088
 email: sales@fwmurphy.co.uk web: www.fwmurphy.co.uk



USA-ISO 9001:2008 FM 28221
 UK-ISO 9001:2008 FM 29422
 CHINA-ISO 9001:2008 FM 523851
 Registered Facilities

