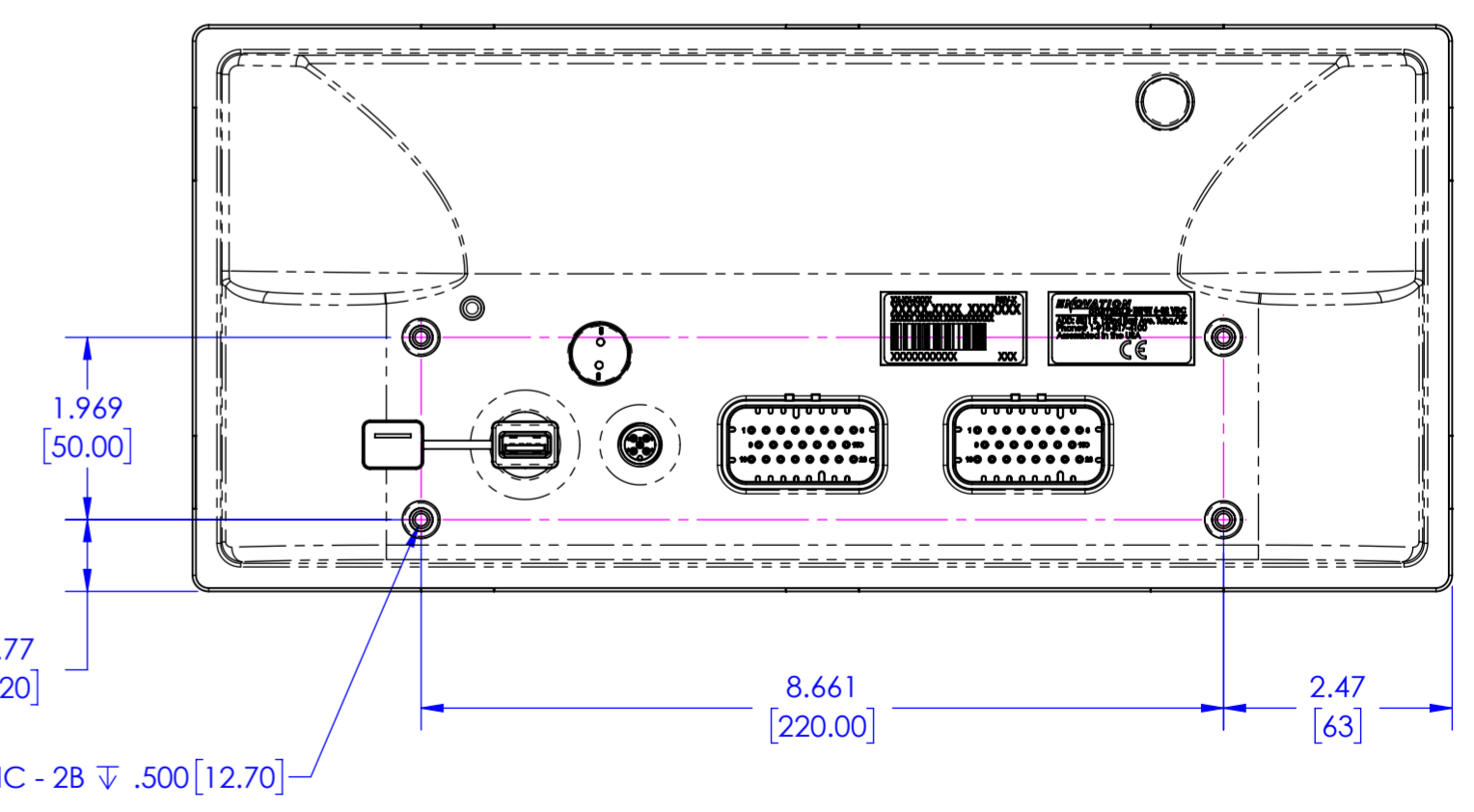
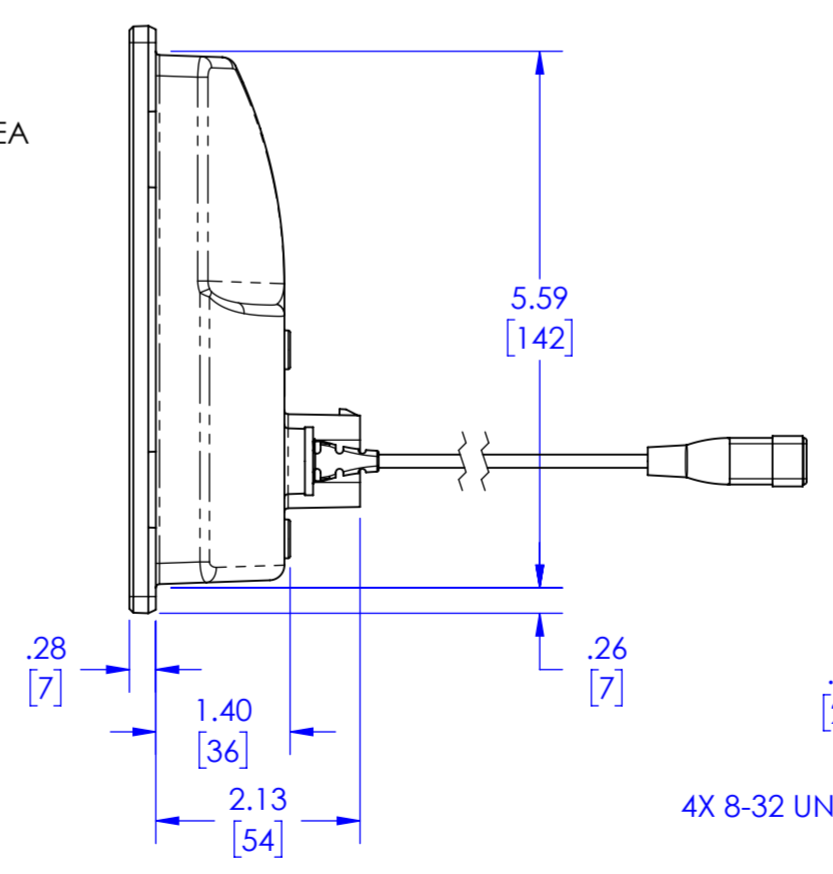
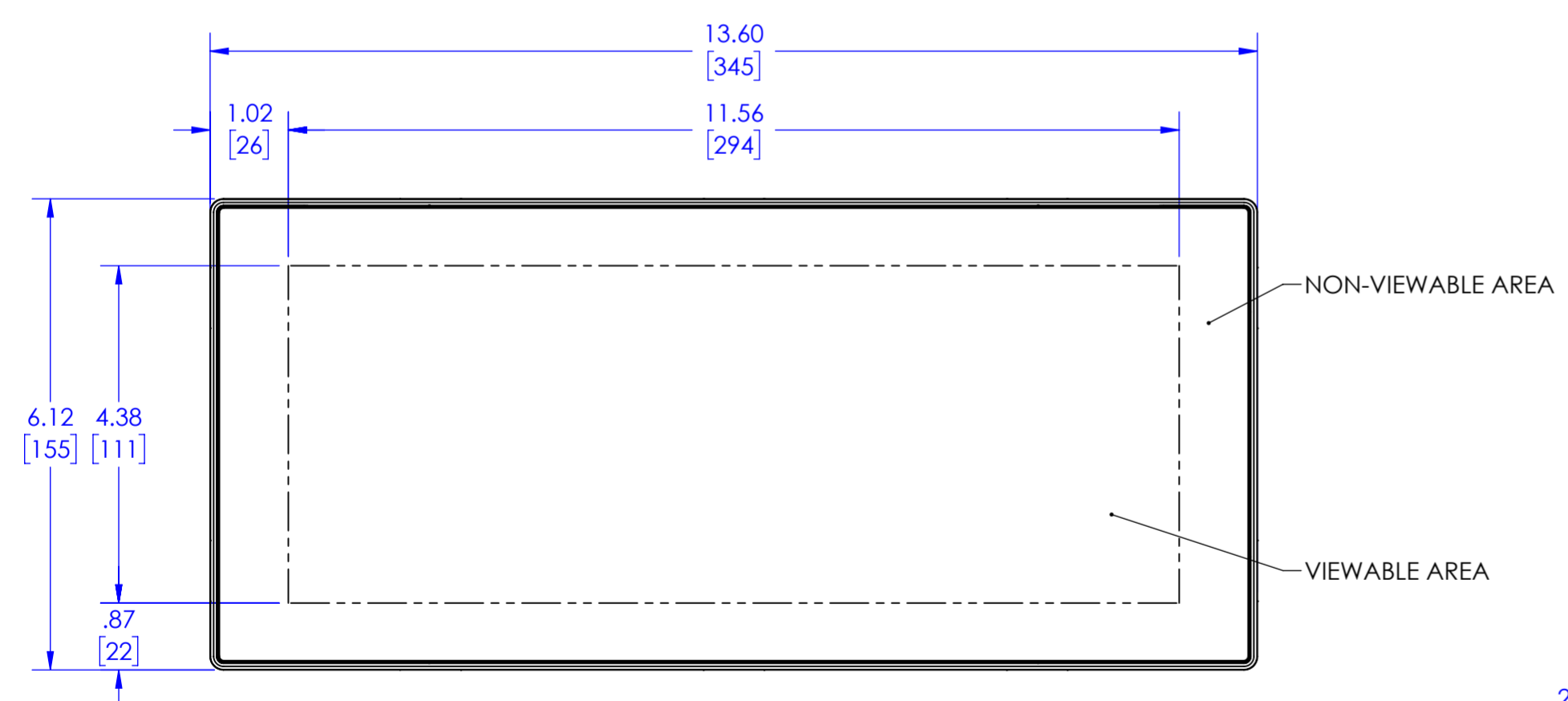
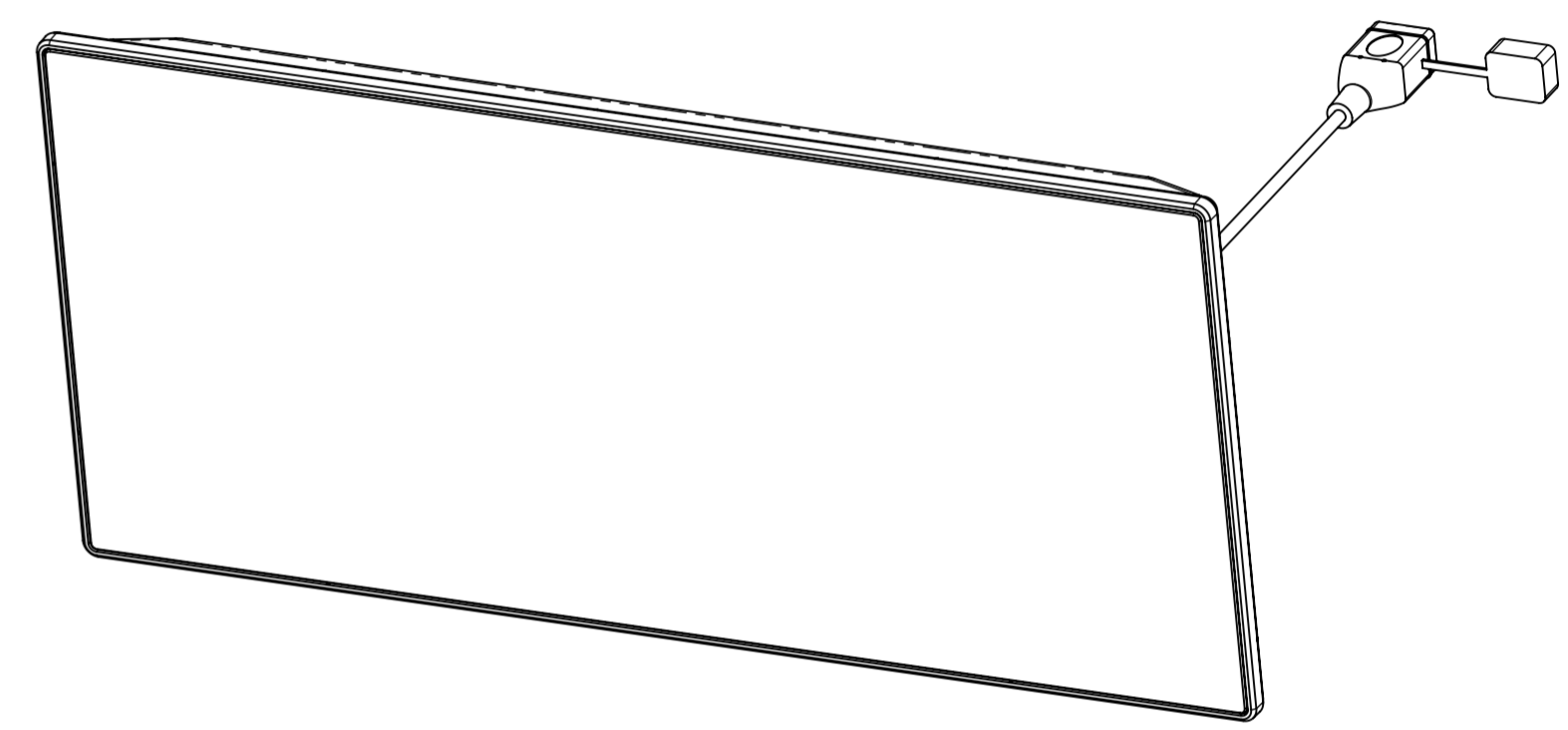
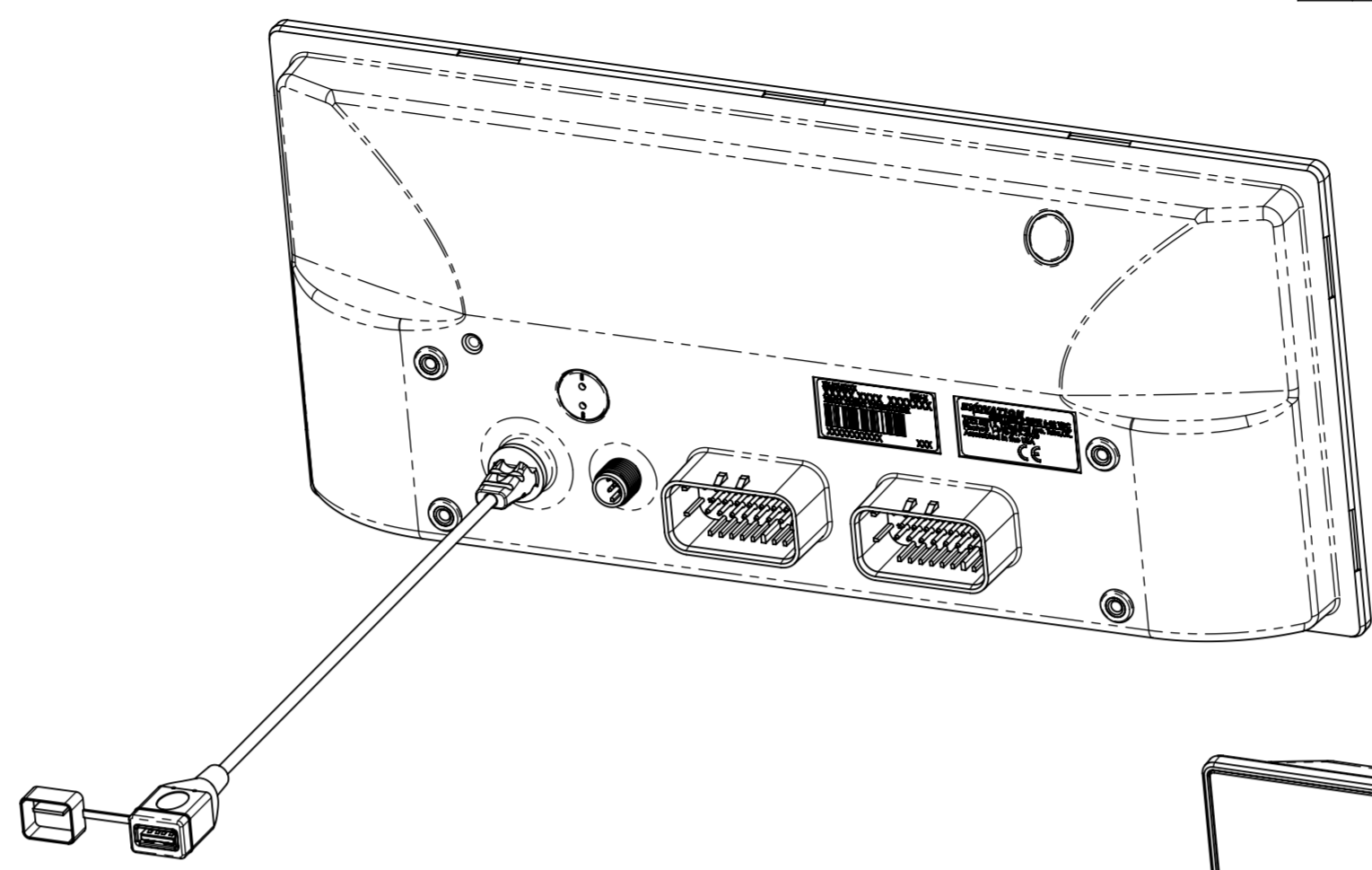
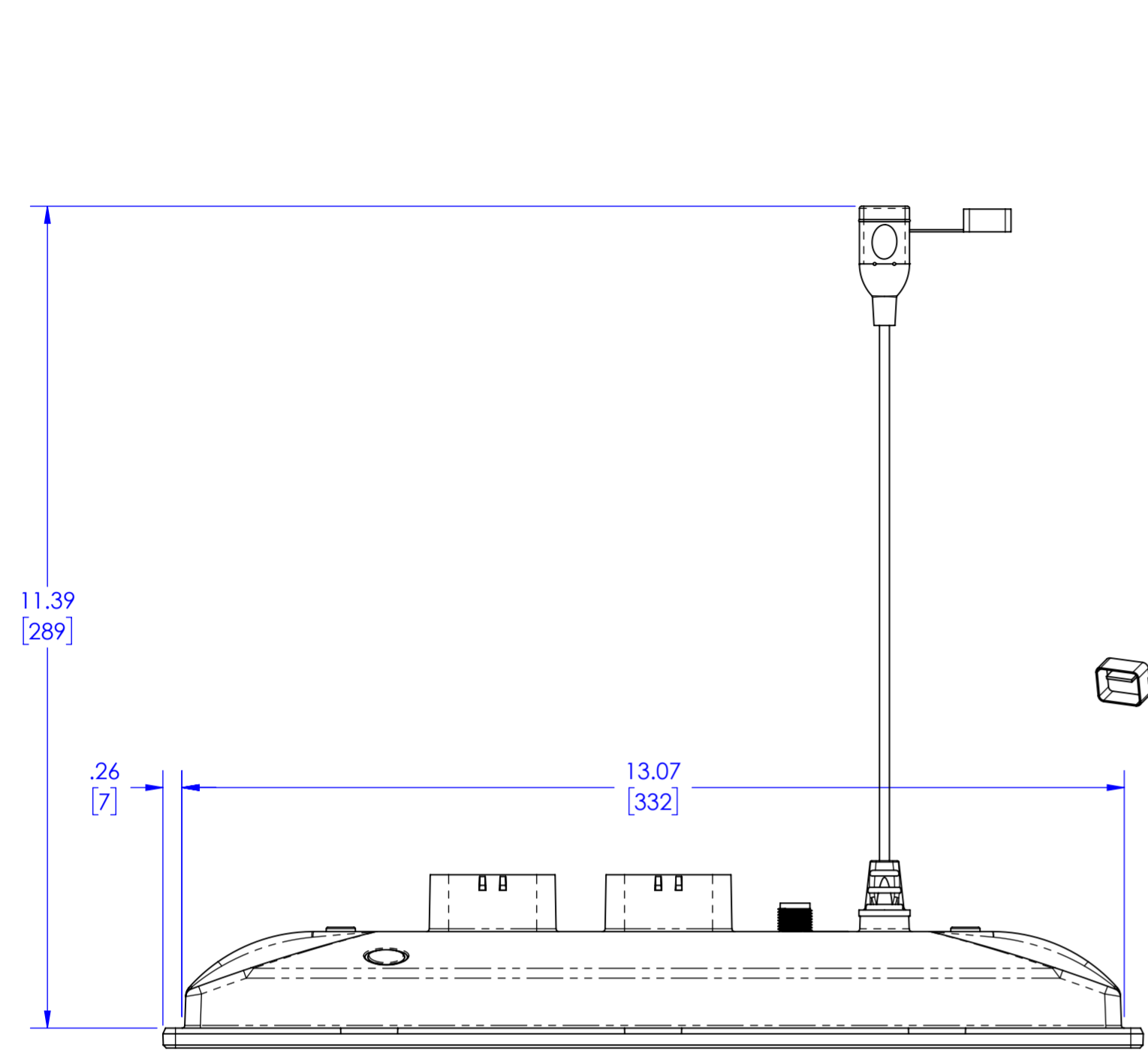


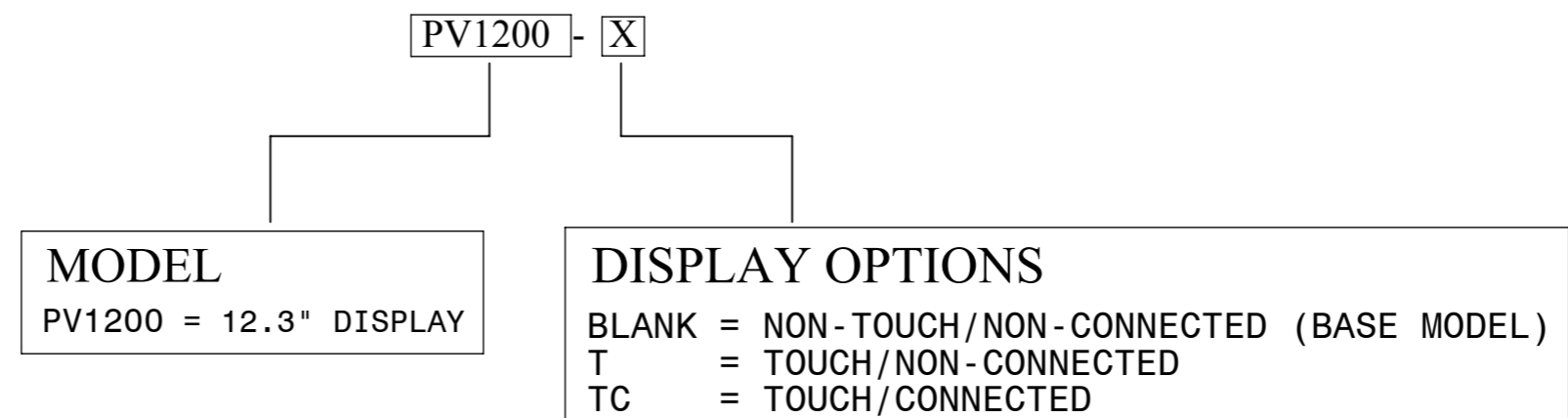
ZONE		REV.	ECO#	REVISIONS		DATE
-	A-	-	C01917	DESCRIPTION	INITIAL PRODUCTION RELEASE	2018.01.24



- NOTES:
1. ALL DIMENSIONS ARE FOR REFERENCE ONLY.
 2. SEE SHEET 4 FOR PANEL CUTOUT DIMENSIONS.
 3. SEE SHEET 3 FOR PIN-OUTS.
 4. SEE SHEET 2 FOR PRODUCTION SPECIFICATIONS.
 5. MOUNTING BRACKET AND HARDWARE KIT AVAILABLE.

UNLESS OTHERWISE SPECIFIED PRODUCE PART FROM CAD MODEL 78020117.SLDASM. ALL NON-TOLERANCED DIMENSIONS ARE BASIC TO THE CAD MODEL. REFER TO THE DRAWING FOR ASSOCIATED TOLERANCES, DATUMS AND FEATURE CONTROLS.		DO NOT SCALE DRAWING. DIMENSIONING AND TOLERANCING PER ASME Y14.5 - 2009 APPLY.	METRIC																		
<table border="1"> <thead> <tr> <th>APPROVALS</th> <th>DATE (YYYY.MM.DD)</th> <th>DESCRIPTION</th> </tr> </thead> <tbody> <tr> <td>ENGINEER C. RAINBOLT</td> <td>2018.01.24</td> <td rowspan="2">TECHNICAL SPECIFICATIONS, PV1200 DISPLAY</td> </tr> <tr> <td>DRAWN J. PRUITT</td> <td>2018.01.24</td> </tr> <tr> <td>APPROVED 1 -</td> <td>-</td> <td>PART NUMBER 78020117</td> </tr> <tr> <td>APPROVED 2 -</td> <td>-</td> <td>DRAWING NUMBER 78-02-0117</td> </tr> <tr> <td colspan="2">CAD FILE 78020117.SLDASM</td> <td>SCALE 1:2 AND NOTED</td> <td>SHEET SIZE A2</td> <td>SHEET 1 OF 4</td> </tr> </tbody> </table>		APPROVALS	DATE (YYYY.MM.DD)		DESCRIPTION	ENGINEER C. RAINBOLT	2018.01.24	TECHNICAL SPECIFICATIONS, PV1200 DISPLAY	DRAWN J. PRUITT	2018.01.24	APPROVED 1 -	-	PART NUMBER 78020117	APPROVED 2 -	-	DRAWING NUMBER 78-02-0117	CAD FILE 78020117.SLDASM		SCALE 1:2 AND NOTED	SHEET SIZE A2	SHEET 1 OF 4
APPROVALS	DATE (YYYY.MM.DD)	DESCRIPTION																			
ENGINEER C. RAINBOLT	2018.01.24	TECHNICAL SPECIFICATIONS, PV1200 DISPLAY																			
DRAWN J. PRUITT	2018.01.24																				
APPROVED 1 -	-	PART NUMBER 78020117																			
APPROVED 2 -	-	DRAWING NUMBER 78-02-0117																			
CAD FILE 78020117.SLDASM		SCALE 1:2 AND NOTED	SHEET SIZE A2	SHEET 1 OF 4																	

HOW TO ORDER



HARDWARE

- DISPLAY:**
12.3" (320mm (H) X 130mm (V)) LVDS IPS LCD With LED Backlight
- COLOR:**
16-bit color
- RESOLUTION:**
WIDE 8:3, 1280 X 480 Pixels
- CONTRAST RATIO:**
600:1 (Typ.)
- BRIGHTNESS:**
1000 cd/m2
- DISPLAY SURFACE:**
Anti-glare
- TOUCH PANEL:**
Glove touch PCAP (T) (TC)
- REAL TIME CLOCK:**
Li-Ion battery backup
- CONNECTORS:**
(2) Ampseal 23 pin
(1) M12 5 pin
(1) USB Pig tail
- VIDEO INPUTS:**
3 NTSC/PAL (Single channel viewable)

COMMUNICATION

- CAN:**
(2) CAN 2.0B according to ISO-11898-2; j1939; proprietary messaging
- SERIAL:**
(1) RS-485 serial (MODBUS master/slave)
- USB:**
(2) USB 2.0 Full Speed Host
- ETHERNET:**
1 X Ethernet 10/100 Base-T (TC)
- WIFI:**
802.11 b/g radio (TC)
- BLUETOOTH:**
Fully integrated Bluetooth 2.1 class 1 (TC)

ELECTRICAL

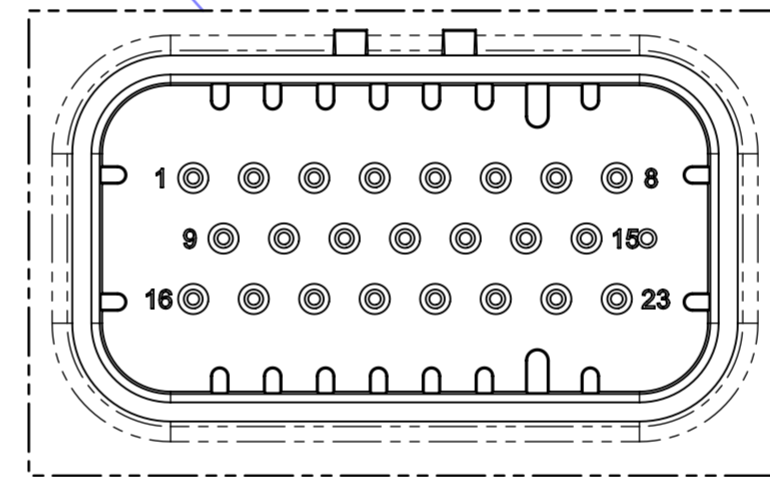
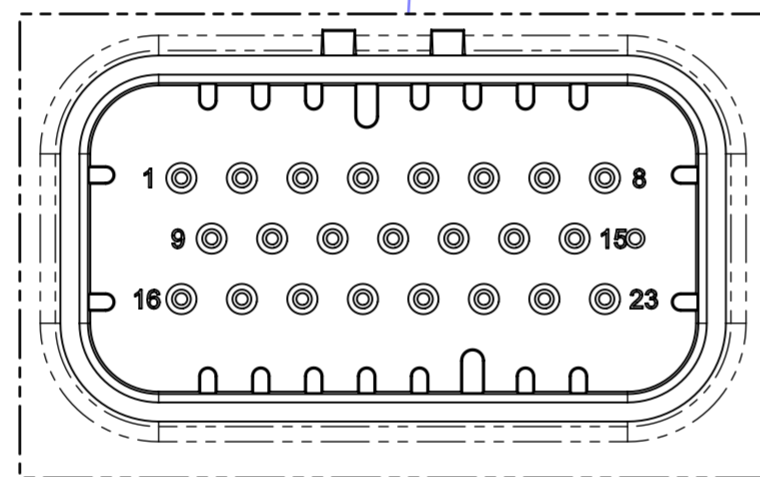
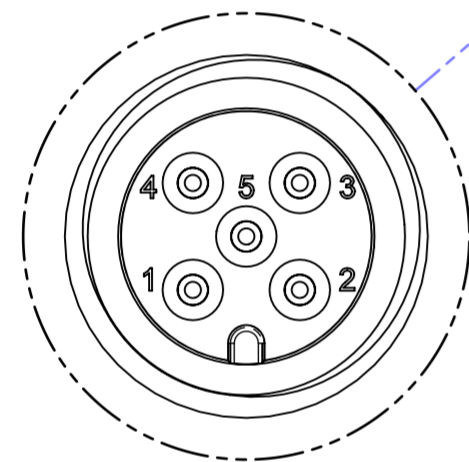
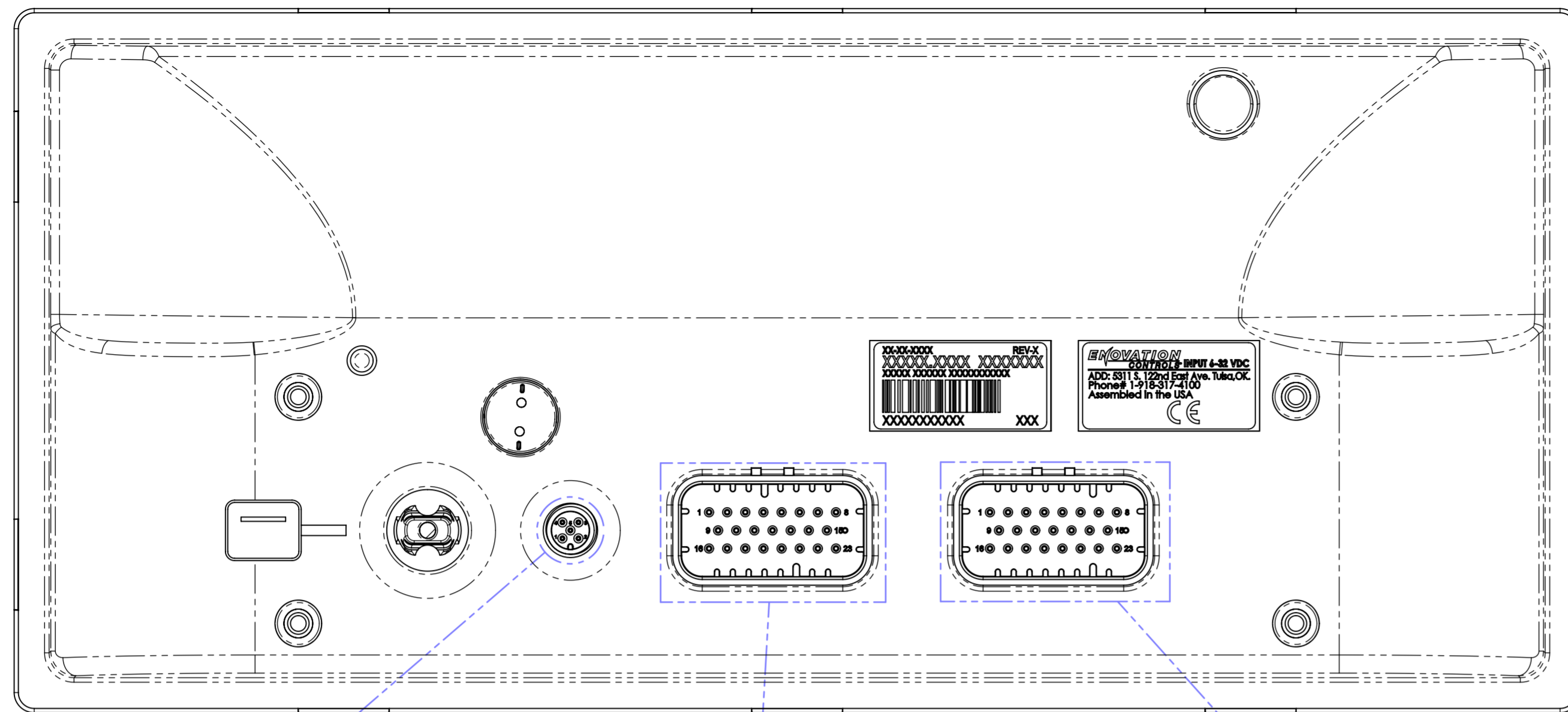
- OPERATING VOLTAGE:**
6 - 36 VDC, reverse polarity protected
- OUTPUTS:**
(1) 500mA Switched Low-side
(1) Frequency Out (2Hz - 3KHz)
- INPUTS:**
(3) Analog 0-5VDC, 4-20mA, or resistive, 10-bit resolution
(5) Discrete digital, active-high
(1) Frequency In (2Hz - 10kHz) 5Vpk-pk min, 120Vpk-pk max

ENVIRONMENTAL

- OPERATING AND STORAGE:**
-40°C to +85°C [-40°F to +185°F]
- PROTECTION:**
IP66 and IP67, front and back, for outdoor use
- VIBRATION:**
7.86 Grms (5 - 2000Hz), 3 axis
- SHOCK:**
±50G in 3 axis
- EMC/EMI:**
SAE J1113, ISO 13766, CE per 2017/30/EU

TECHNICAL SPECIFICATIONS

DO NOT SCALE DRAWING. DIMENSIONING AND TOLERANCING PER ASME Y14.5 - 2009 APPLY.		METRIC		
DESCRIPTION		TECHNICAL SPECIFICATIONS, PV1200 DISPLAY		
PART NUMBER	78020117	DRAWING NUMBER	78-02-0117	REVISION
CAD FILE	78020117.SLDASM	SCALE	1:1 AND NOTED	SHEET SIZE A3
			SHEET	2 OF 4
				A-



5-POS CONNECTOR-C			
PIN #	FUNCTION		
	BASE	T	TC
1	NO CONNECTION		Ethernet TX+
2	NO CONNECTION		Ethernet RX+
3	NO CONNECTION		Ethernet TX-
4	NO CONNECTION		Ethernet RX-
5	NO CONNECTION		Ethernet Ground

23-POS CONNECTOR-A			
PIN #	FUNCTION		
	BASE	T	TC
1			Digital Input 1
2			Analog Input 3
3			Analog Input 2
4			Analog Input 1
5			CAN 1 Low
6			CAN 1 High
7			Battery
8			Ground
9			Analog Input 3 Ground
10			Analog Input 2 Ground
11			Analog Input 1 Ground
12			Digital Input 3
13			Digital Input 2
14			Frequency Output 1
15			Ignition Input
16			No Connect
17			No Connect
18			CAN 2 Low
19			CAN 2 High
20			Digital Input 4
21			Digital Input 5
22			Digital Output
23			Frequency Output 2

23-POS CONNECTOR-B			
PIN #	FUNCTION		
	BASE	T	TC
1			Video Input 1
2			Video Input 2
3			Video Input 3
4			RS485 High
5			RS485 Low
6			No Connect
7			No Connect
8			No Connect
9			Video Input 1 Ground
10			Video Input 2 Ground
11			Video Input 3 Ground
12			No Connect
13			Frequency Input
14			Frequency Return
15			No Connect
16			USB D-
17			USB D+
18			USB 5v
19			USB Ground
20			USB Shield
21			No Connect
22			No Connect
23			No Connect

DO NOT SCALE DRAWING. DIMENSIONING AND TOLERANCING PER ASME Y14.5 - 2009 APPLY.

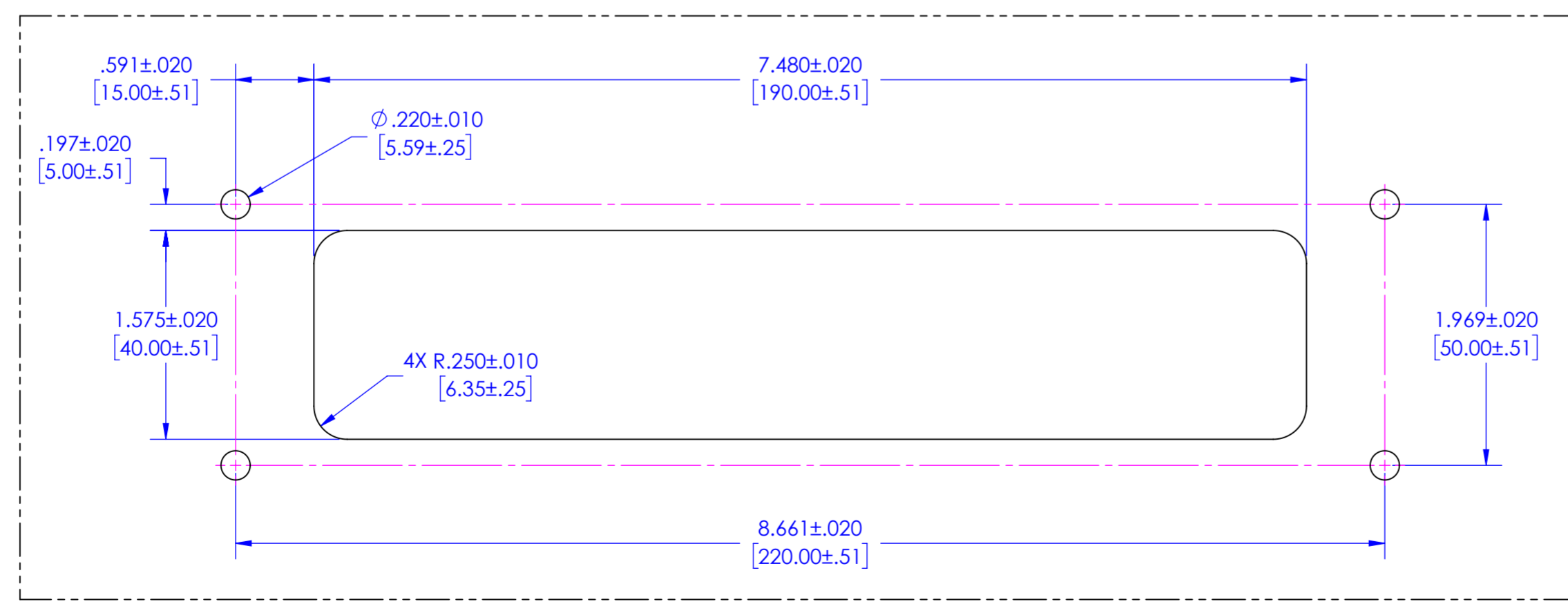
METRIC

DESCRIPTION:
TECHNICAL SPECIFICATIONS, PV1200 DISPLAY

PART NUMBER 78020117	DRAWING NUMBER 78-02-0117	REVISION A-
CAD FILE 78020117.SLDASM	SCALE 1:1 AND NOTED	SHEET SIZE A2
		SHEET 3 OF 4



RECESSED MOUNT PANEL CUTOUT DIMENSIONS
FULL SCALE



SURFACE MOUNT PANEL CUTOUT DIMENSIONS
FULL SCALE

TOLERANCE: +.020[0.51]/-0[0] UNLESS OTHERWISE SPECIFIED

DO NOT SCALE DRAWING. DIMENSIONING AND TOLERANCING PER ASME Y14.5 - 2009 APPLY.	METRIC ⊠ ⊕	ENOVATION CONTROLS™
DESCRIPTION TECHNICAL SPECIFICATIONS, PV1200 DISPLAY		
PART NUMBER 78020117	DRAWING NUMBER 78-02-0117	REVISION A-
CAD FILE 78020117.SLDASM	SCALE 1:1 AND NOTED	SHEET SIZE A2
		SHEET 4 OF 4