



# OpenView<sup>®</sup> Model S50

## *Installation Manual*

# Table of Contents

<b>Hardware Installation</b> .....	<b>4</b>
Inspecting Package Contents.....	4
Product Dimensions .....	4
Installation .....	6
<b>Wiring Information</b> .....	<b>7</b>
<b>Configuration and Programming Information</b> .....	<b>8</b>
<b>Specifications</b> .....	<b>8</b>
<b>Label Symbol Meanings</b> .....	<b>10</b>

To consistently bring you the highest quality, full-featured products, we reserve the right to change our specifications and designs at any time. The latest version of this manual can be found at [enovationcontrols.com](http://enovationcontrols.com).

**Warranty** - A limited warranty on materials and workmanship is given with this Enovation Controls product. A copy of the warranty may be viewed or printed by going to [www.enovationcontrols.com/warranty](http://www.enovationcontrols.com/warranty)



**BEFORE BEGINNING INSTALLATION OF THIS  
ENOVATION CONTROLS PRODUCT:**

Read and follow all installation instructions.

Please contact Enovation Controls immediately if you have any questions.

## Hardware Installation

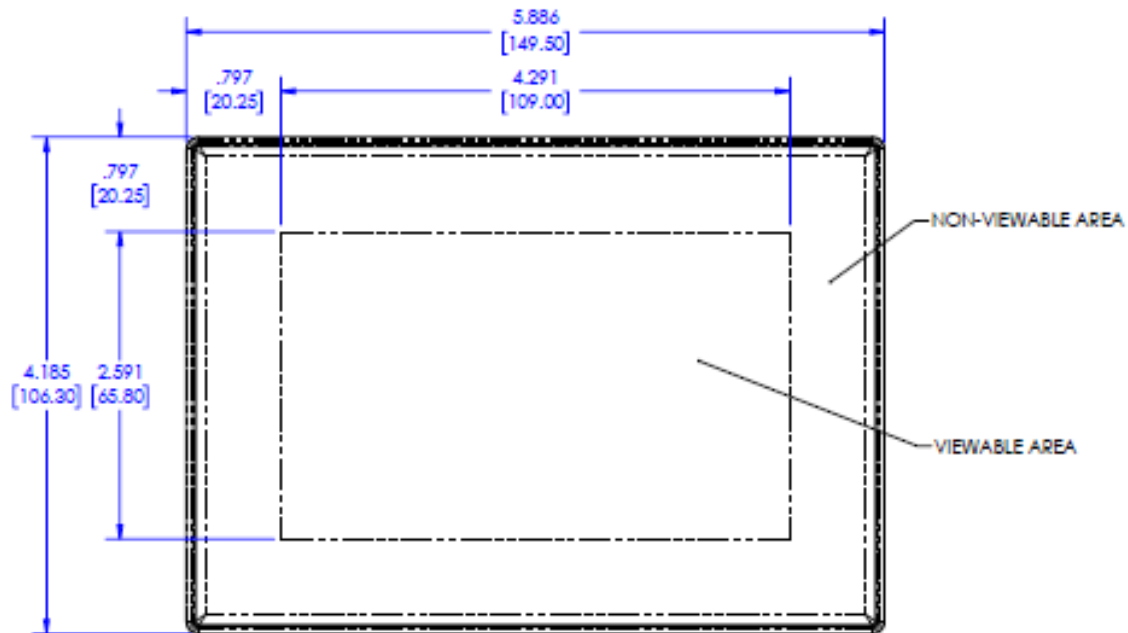
The following instructions will guide you through installing the OpenView display.

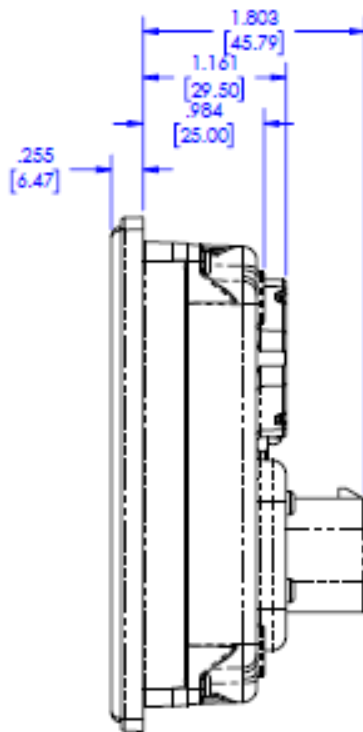
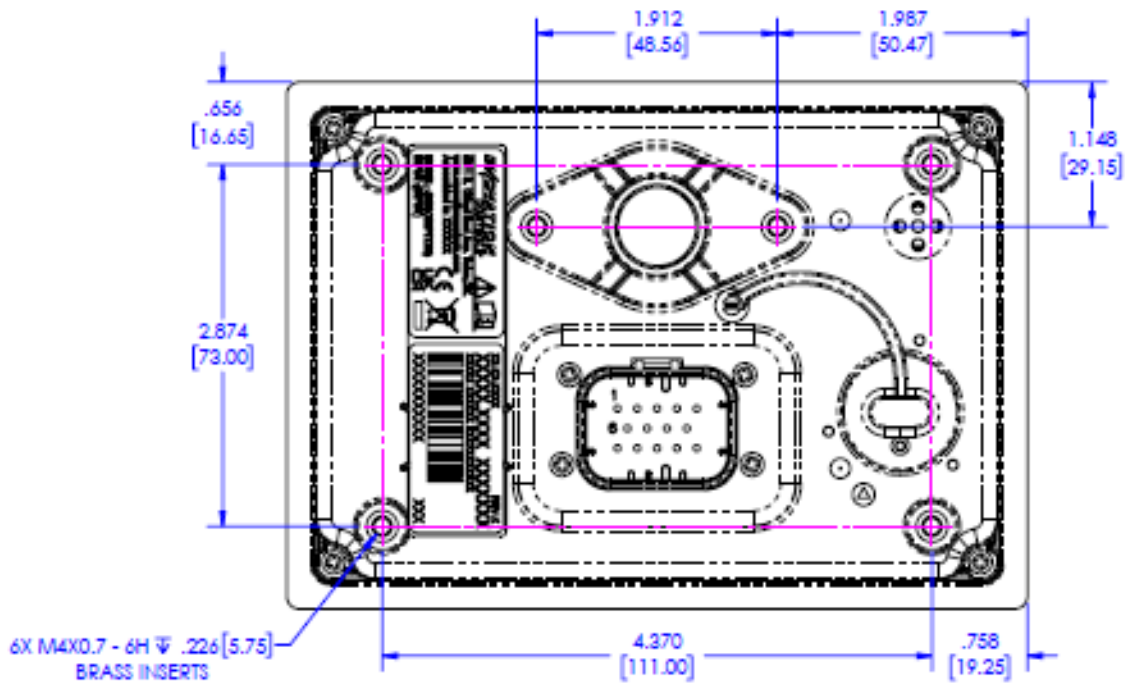
### Inspecting Package Contents

It is recommended that you ensure all parts are accounted for and inspect each item for damage (which sometimes occurs during shipping) before attempting to install the product. The items included in the box are:

- OpenView S50 unit
- Installation manual web reference insert

### Product Dimensions





Measurements shown in inches [mm]

## Installation

---

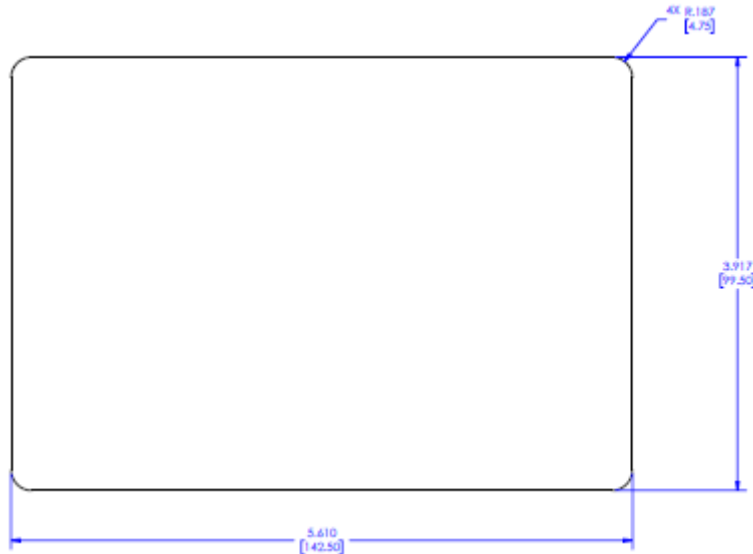
There are four M4x0.7 brass inserts on the corners of the back of the OpenView S50 which can be used to attach the display to various mounting surfaces, as well as two additional M4x0.7 brass inserts for alternative mounting means. An optional installation kit (P/N 78001600) can be purchased separately to aid in mounting to flat panel surfaces.

Tools needed.

- Drill with 3/8 in. size bit
- Jigsaw

## Preparing the Surface

Determine the location where the OpenView S50 is to be mounted and use the recommended cutout below to create a hole for mounting the display. (For actual cutout template, see [support.enovationcontrols.com](http://support.enovationcontrols.com), then search for OpenView S50)



## Mounting the Unit

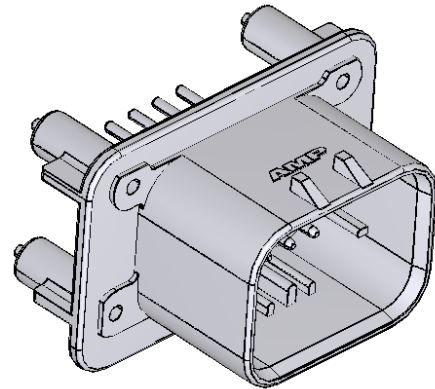
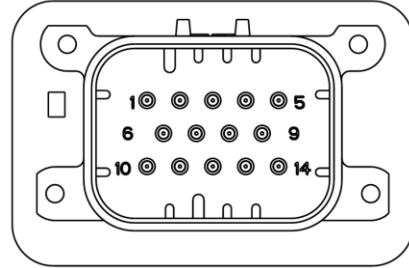
If mounting to a panel, use four M4 machine screws (not provided) and the four corner M4x0.7 brass inserts on the back of the OpenView S50 to attach it to the mounting means. A secure IPx7 seal can be achieved by tightening the M4 screws to the recommended torque of 20 to 26 inch-pounds.

If using a compatible mounting kit, follow the manufacturer's installation instructions included with the kit.

## Wiring Information

### Pin Out Specifications

14-pin AMPSEAL Connector (776261-1)	
1	GROUND
2	RS485_A
3	RS485_B
4	CAN_HI
5	DIG_OUT_2
6	VBAT
7	IGNITION
8	CAN_LO
9	N/C
10	DIG_IN_1
11	ANA_IN_1
12	ANA_IN_2
13	DIG_IN_2
14	DIG_OUT_1



On Back of Display:  
TE Connectivity AMPSEAL 776261-1 (Black)

The mating connector for the display is a TE Connectivity AMPSEAL 776273-1 (Black)



**IMPORTANT NOTE:** Per IEC 62368-1 requirement the equipment needs to be protected in case of excessive input power. It is recommended that an external fuse be added to the wiring to limit the input power to the device and remove the electrical energy completely in case of a fault. Adding an external fuse is a way of protecting your electrical devices from overcurrent or short circuits. It involves connecting a fuse holder and a fuse to an existing circuit, usually using a fuse tap or a wire splice. The fuse rating should match the current draw of the device you are powering.

This same recommendation should also be applied to the output pins due to 1) being powered separately and 2) their sinking current.

## Configuration and Programming Information

Please see the OpenPV™ Help Center to determine:

- how to prepare the OpenView S50 for firmware updates, and
- how to utilize the OpenPV™ toolset for programming the display.

To find out more, go to - [OpenPV™ Software – Enovation Controls Help Center](#)

## Specifications

Computing	
<b>Main Processor:</b>	2x 650Mhz Arm Cortex A7 + GPU (OS/Graphics)
<b>Coprocessor:</b>	1x 200Mhz Arm Cortex M4 (Real time control)
<b>Operating System:</b>	Linux
<b>Storage:</b>	4 GB Flash memory
<b>Ram:</b>	512 MB DDR3-SDRAM
<b>Graphics:</b>	Renesas graphics processor
Display/HMI	
<b>Type:</b>	5-inch, RGB IPS LCD w/ LED backlight 24bit color
<b>Resolution:</b>	800 x 480
<b>Contrast Ratio:</b>	800:1 (typical)
<b>Brightness:</b>	720 cd/m <sup>2</sup>
<b>Touch Panel:</b>	Projected capacitive (PCAP) with glove touch
<b>Buzzer</b>	For alarms and notifications. 80dB, Adjustable Frequency

Continued



Interfaces	
<b>CAN:</b>	(1) CAN
<b>Serial:</b>	(1) RS-485
<b>USB:</b>	(1) USB-C with locking connector
<b>Wi-Fi:</b>	802.11 b/g/n
<b>Bluetooth:</b>	Bluetooth V4.2/EDR, and Bluetooth LE specification
Electrical	
<b>Operating Volts:</b>	6-36 VDC, reverse polarity protected
<b>Outputs:</b>	2x 500mA Low-side
<b>Inputs:</b>	2x Resistive (0-5V) 2x Dig/Ana (0-36V)
Environmental	
<b>Operating Temperature:</b>	-20°C to +70°C (-04°F to +158°F)
<b>Storage Temperature:</b>	-30°C to +70°C (-22°F to +158°F)
<b>Protection:</b>	IP65
<b>Vibration:</b>	IEC 60068-2-64
<b>Shock:</b>	IEC 60068-2-27
<b>EMC/EMI:</b>	ISO 14982:2009, ISO 13766:2018

## How to Order

The following OpenView S50 accessories are available through Enovation Controls:

Part Number	Description	Order Details
<b>78700709</b>	OpenView S50, 5" TOUCH-SCREEN	<b>Display</b>
<b>78001600</b>	Installation Kit	<b>Accessories</b>
<b>TBD</b>	Wire Harness	

## Label Symbol Meanings



Caution is necessary when operating the display close to where the symbol is placed. Operator awareness or operator action is needed in order to avoid undesirable consequences.



The operating instructions or user manual should be considered when operating the display.



This product should not be disposed of with household waste. When you decide to dispose of this product, do so in accordance with local environmental laws and guidelines.

- THIS PAGE INTENTIONALLY LEFT BLANK -

In order to consistently bring you the highest quality, full-featured products, we reserve the right to change our specifications and designs at any time. MURPHY products and the Murphy logo are registered and/or common law trademarks of Enovation Controls, LLC. This document, including textual matter and illustrations, is copyright protected by Enovation Controls, LLC, with all rights reserved. (c) 2023 Enovation Controls, LLC. A copy of the warranty may be viewed or printed by going to [www.enovationcontrols.com/warranty](http://www.enovationcontrols.com/warranty)

**ENOVATION CONTROLS CORPORATE HEADQUARTERS**  
5311 S 122ND EAST AVENUE  
TULSA, OK 74146

**ENOVATION CONTROLS LTD. – UNITED KINGDOM**  
CHURCH ROAD LAVERSTOCK  
SALISBURY SP1 1QZ UK

**SUN MURPHY INTERNATIONAL TRADING (SHANGHAI) CO., LTD**  
B15 ROOM, 6# BUILDING, 351 SIZHUAN ROAD  
SONGJIANG DISTRICT, SHANGHAI 201601, CHINA

**ENOVATION CONTROLS INDIA PVT. LTD.**  
PLOT NO. 146, SECTOR 10, PCNTDA  
BHOSARI, PIMPRI CHINCHWAD  
PUNE - 411026  
MAHARASHTRA, INDIA

**U.S. SALES & SUPPORT**

PHONE: 918 317 4100  
EMAIL: [SALES@ENOVATIONCONTROLS.COM](mailto:SALES@ENOVATIONCONTROLS.COM)  
[WWW.ENOVATIONCONTROLS.COM](http://WWW.ENOVATIONCONTROLS.COM)

**CONTACT US**



**INTERNATIONAL SALES & SUPPORT**

**EUROPE, MIDDLE EAST, AFRICA**  
PHONE: +44 1722 410055  
EMAIL: [EMEASALES@ENOVATIONCONTROLS.COM](mailto:EMEASALES@ENOVATIONCONTROLS.COM)

**CHINA**  
PHONE: +86 21 6237 5885  
EMAIL: [APACSALES@ENOVATIONCONTROLS.COM](mailto:APACSALES@ENOVATIONCONTROLS.COM)

**INDIA**  
PHONE: +91 91581 37633  
EMAIL: [INDIASALES@ENOVATIONCONTROLS.COM](mailto:INDIASALES@ENOVATIONCONTROLS.COM)



FM 28221 (Tulsa, OK - USA)  
FM 29422 (UK)



1022QAP07 (India)