

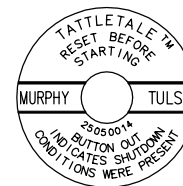
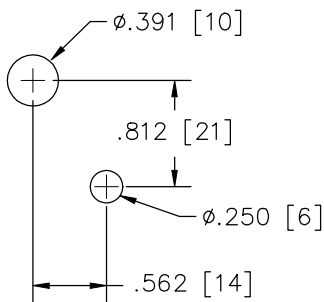
SPECIFICATIONS:

BASE: SYNTHANE
CASE: POLYCARBONATE
CONTACT RATING: 10 AMPS, 24 VDC
COIL RATING: MAGNETO IGNITION
COIL RESISTANCE: 0.5 ohms ± 10%
MINIMUM TRIP VOLTAGE: 0.6 VDC
MINIMUM TRIP CURRENT: 1.2 A
OPERATING TEMPERATURE RANGE: -40 TO 176°F
(-40 TO 80°C)

NOTES:

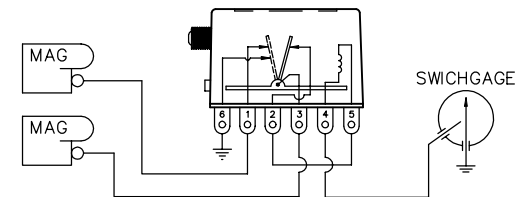
1. ALL DIMENSIONS IN [] ARE MILLIMETERS.

MOUNTING HOLE PATTERN

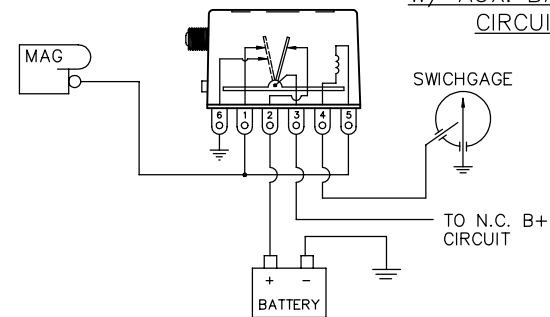


INSTRUCTION PLATE

TYPICAL WIRING MAGNETO IGNITION



TYPICAL WIRING MAGNETO IGNITION W/ AUX. BATTERY CIRCUIT



B	REVISED TERMINALS PICTORIALLY		
	1/4/02	JAD	ER02-0003
REV.	CHANGES MADE		



DRAWN BY:	JAD	E.R.NO.01-0744
DATE:	8/30/01	CHKD. BY: JAD APPD. BY: WH
MODEL:	MS2120	

DRAWING NO.	SIZE	REV.
25-02-0267	B	B