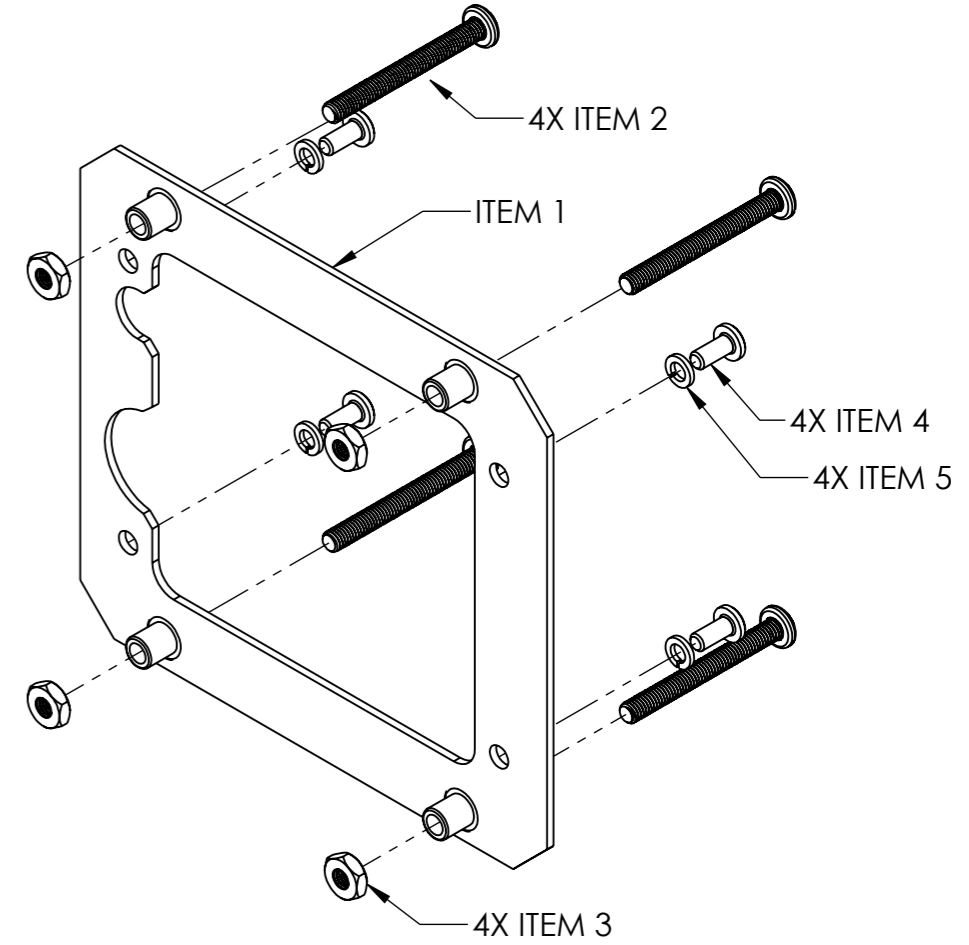
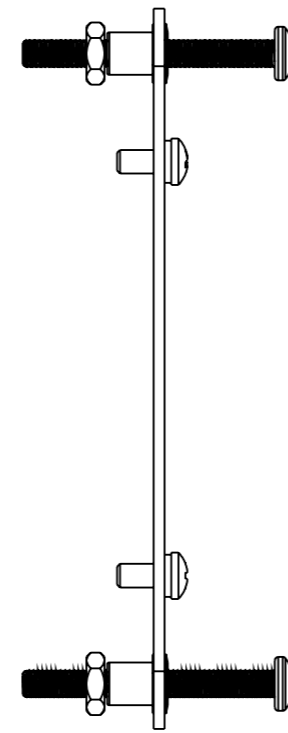
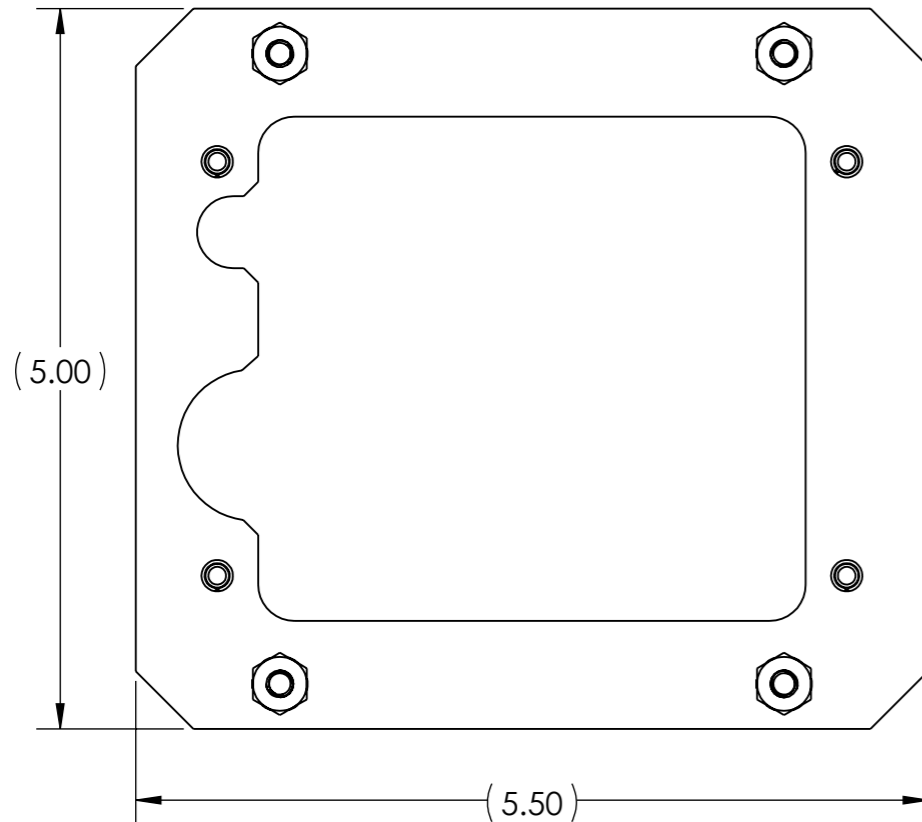


PROPRIETARY and CONFIDENTIAL This document, including the information hereon, is the property of ENOVATION CONTROLS, INC., its subsidiaries, and/or affiliates (hereinafter "ENOVATION CONTROLS"). It may be used only to purchase or supply goods and/or services relative to ENOVATION CONTROLS and must be returned upon ENOVATION CONTROLS request. It is CONFIDENTIAL and must be maintained in confidence. It may not be reproduced, copied or have other items prepared therefrom and may not be disclosed to others, in whole or in part, without ENOVATION CONTROLS prior written consent. ALL RIGHTS RESERVED.

REV.	DESCRIPTION	DATE	BY	CHECKED BY
A	NEW RELEASE	2023.07.10	BP	AU



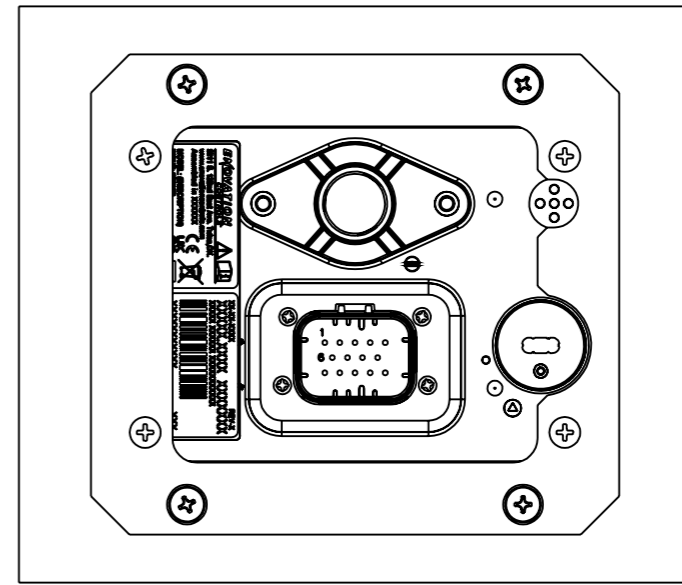
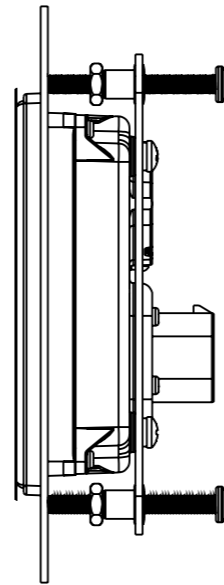
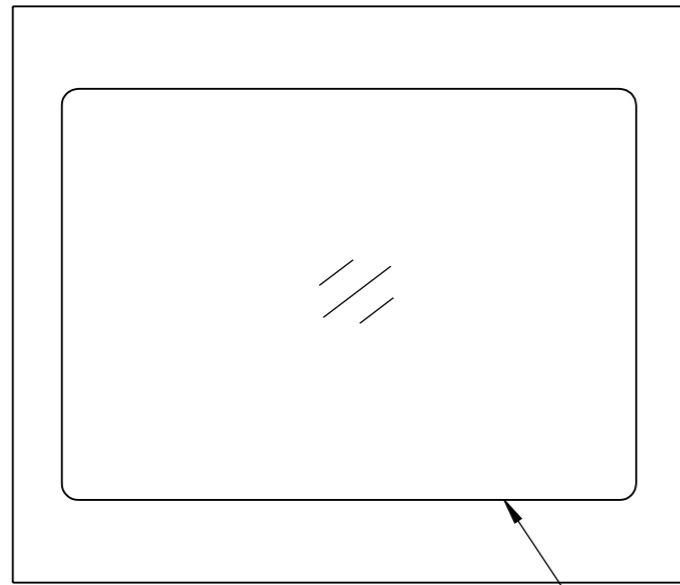
PARTS LIST

ITEM	DESCRIPTION	PART NO.	QTY
1	MOUNTING PLATE	78-05-1941	1
2	SCREW, MACH, 10-32X1-3/4, PNH	80-04-1084	4
3	NUT, HEX 10-32X3/8	81-01-1003	4
4	SCREW, MACH, 8-32X3/8	80-04-0830	4
5	WASHER, NO.8 SPLIT STEEL ZINC	82-03-0801	4
6	BAG, POLY, .002X4"X6"	00-00-0008	1
7	BAG, POLY, 8"X4"X18"	00-00-2982	1
8	FOAM WRAP	00-00-0923	1 FT

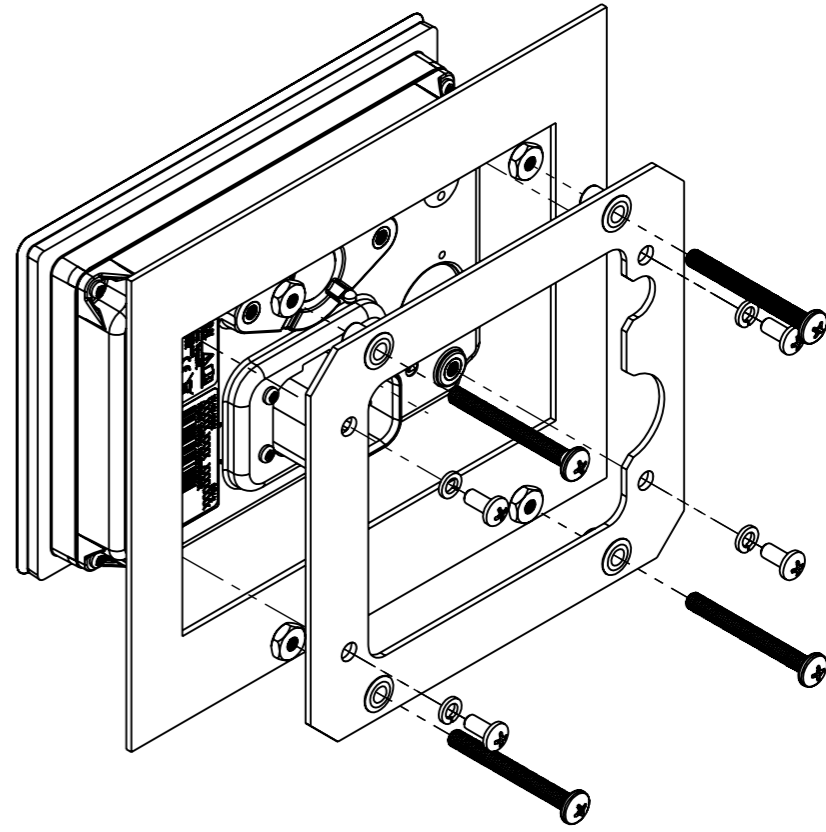
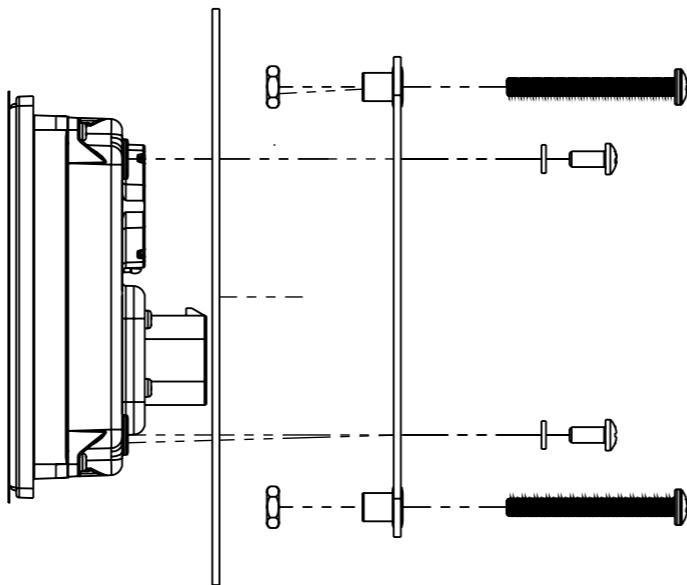
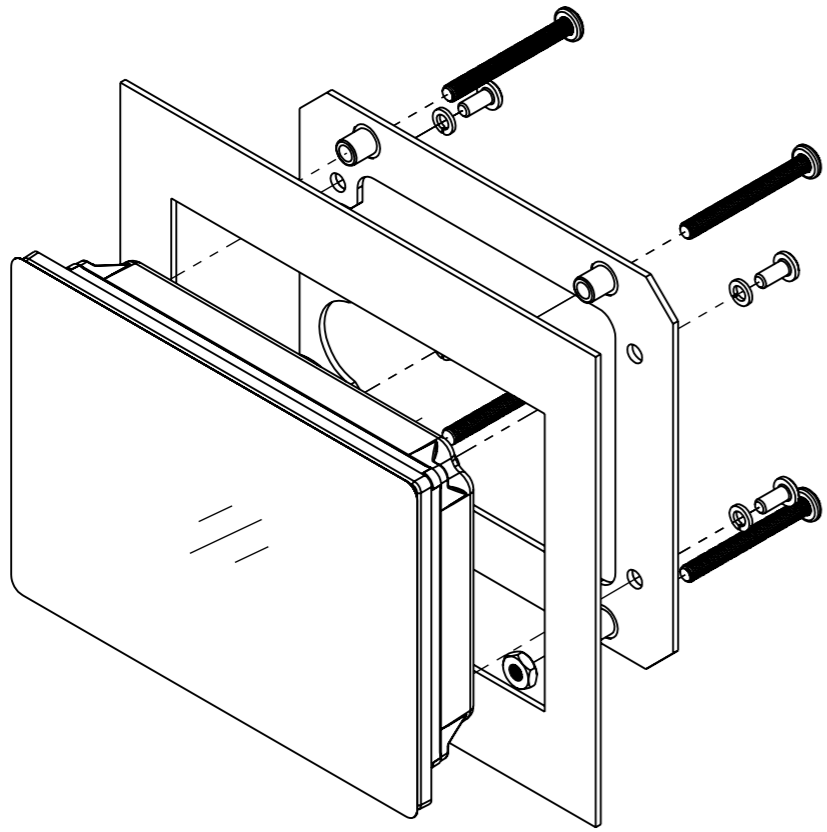
- NOTES :**
- DO NOT ASSEMBLE.**
 - PLACE ITEMS 2, 3, 4 & 5 IN SMALL PLASTIC BAG (ITEM 6) AND STAPLE CLOSED.**
 - WRAP & TAPE ITEM 1 IN FOAM PACKING WRAP.**
 - PLACE ITEM 1 & BAG WITH ITEMS 2, 3, 4 & 5 IN LARGE PLASTIC BAG (ITEM 7) AND STAPLE CLOSED.**

DIMENSIONING AND TOLERANCING PER ASME Y14.5 - 2009 APPLY. UNLESS OTHERWISE SPECIFIED Tolerances Inch: .X ± .1, .XX ± .03, .XXX ± .010 Tolerances Metric: X ± .2, X ± .7, .XX ± .25 ANGLES ± 2° $\sqrt{125}$	SHALL MEET REQUIREMENTS OF ENC 4E00711 ENVIRONMENTAL COMPLIANCE SPECIFICATION PRODUCE PART FROM CAD MODEL 78001600.SLDPRT	INCH DO NOT SCALE DRAWING 	
FINISH: _____	PART NUMBER: 78-00-1600	DRAWING NUMBER: 78-00-1600	REVISION: A
	CAD FILE: 78001600.SLDPRT	SCALE: 3:4 AND NOTED	SHEET SIZE: A3 SHEET: 1 OF 2

INSTALLATION VEIWS
(FOR REFERENCE ONLY)



PANEL FOR REFERENCE ONLY
S50 DISPLAY FOR REFERENCE ONLY



DESCRIPTION KIT, MOUNTING PLATE, S50 DISPLAY		DRAWING NUMBER 78-00-1600		REVISION A	
PART NUMBER 78-00-1600		DRAWING NUMBER 78-00-1600		SHEET SIZE A3	
CAD FILE 78001600.SLDPRT		SCALE 1:2 AND NOTED		SHEET 2 OF 2	