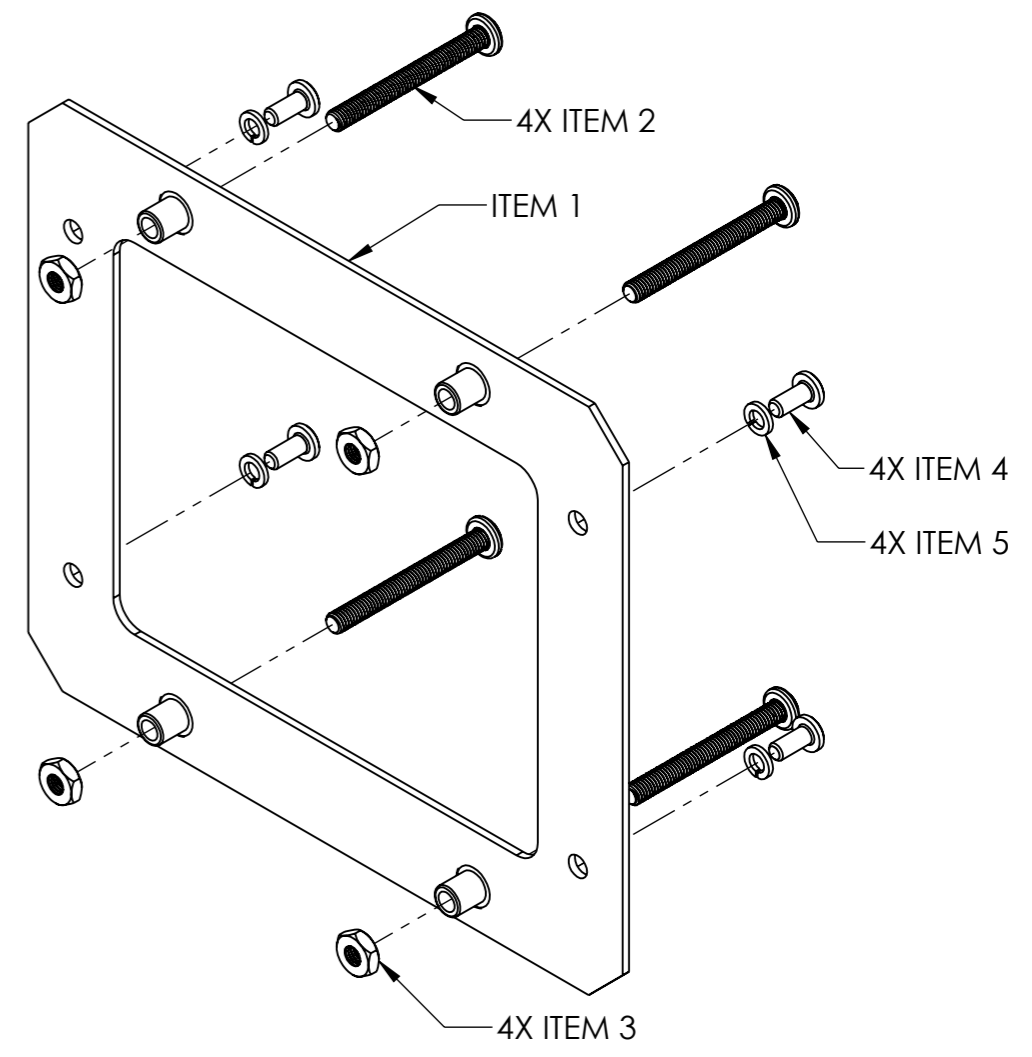
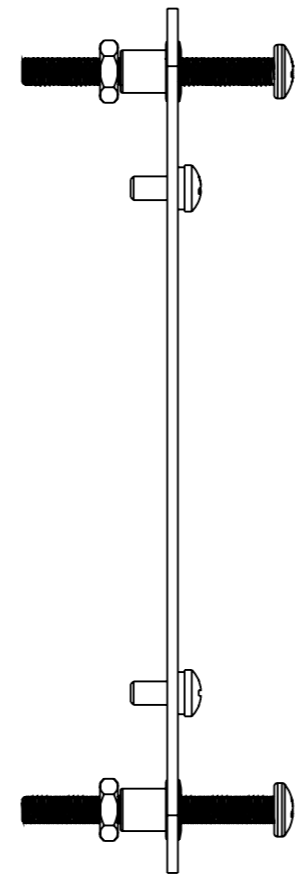
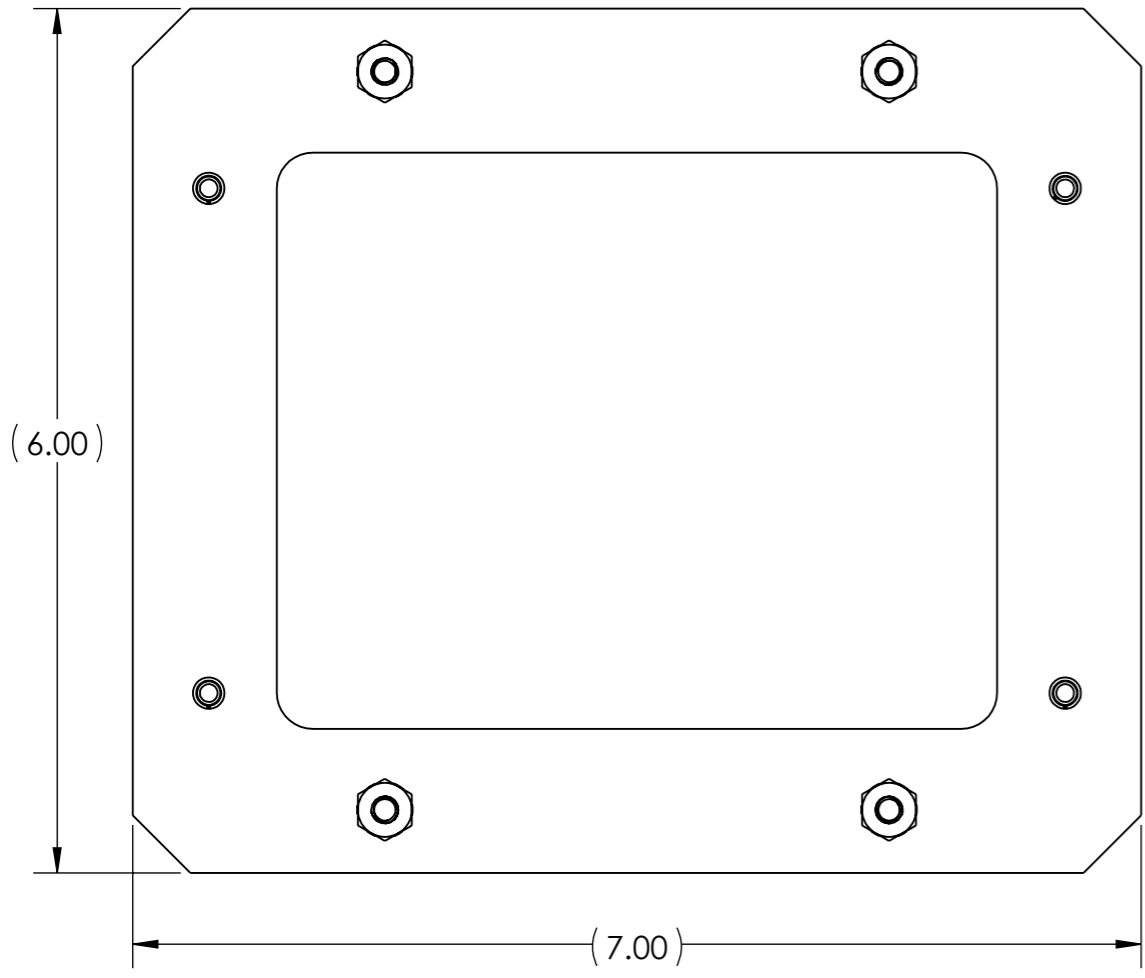


PROPRIETARY and CONFIDENTIAL This document, including the information hereon, is the property of ENOVATION CONTROLS, INC., its subsidiaries, and/or affiliates (hereinafter "ENOVATION CONTROLS"). It may be used only to purchase or supply goods and/or services relative to ENOVATION CONTROLS and must be returned upon ENOVATION CONTROLS request. It is CONFIDENTIAL and must be maintained in confidence. It may not be reproduced, copied or have other items prepared therefrom and may not be disclosed to others, in whole or in part, without ENOVATION CONTROLS prior written consent. ALL RIGHTS RESERVED.

REV.	DESCRIPTION	DATE	BY	CHECKED BY
A	NEW RELEASE	2023.08.08	BP	AU



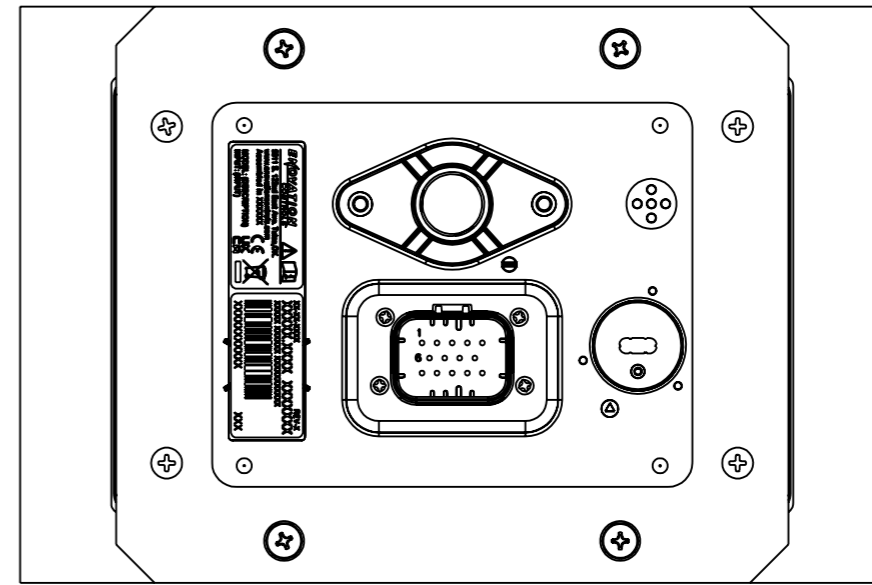
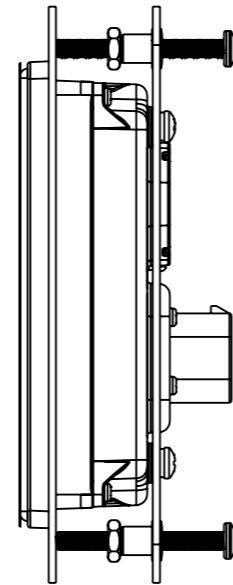
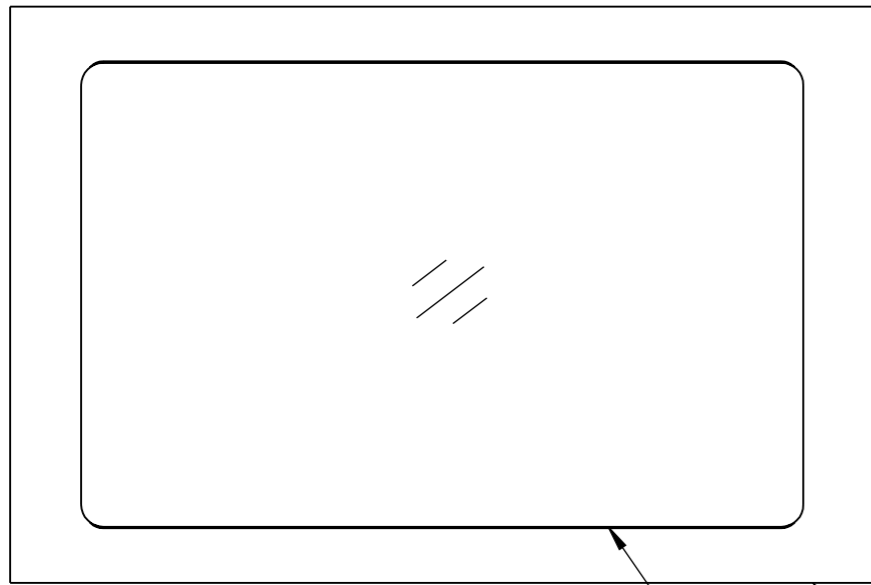
PARTS LIST

ITEM	DESCRIPTION	PART NO.	QTY
1	MOUNTING PLATE	78-05-1942	1
2	SCREW, MACH, 10-32X1-3/4, PNH	80-04-1084	4
3	NUT, HEX 10-32X3/8	81-01-1003	4
4	SCREW, MACH, 8-32X3/8	80-04-0830	4
5	WASHER, NO.8 SPLIT STEEL ZINC	82-03-0801	4
6	BAG, POLY, .002X4"X6"	00-00-0008	1
7	BAG, POLY, 8"X4"X18"	00-00-2982	1
8	FOAM WRAP	00-00-0923	1 FT

- NOTES :**
- DO NOT ASSEMBLE.
 - PLACE ITEMS 2, 3, 4 & 5 IN SMALL PLASTIC BAG (ITEM 6) AND STAPLE CLOSED.
 - WRAP & TAPE ITEM 1 IN FOAM PACKING WRAP.
 - PLACE ITEM 1 & BAG WITH ITEMS 2, 3, 4 & 5 IN LARGE PLASTIC BAG (ITEM 7) AND STAPLE CLOSED.

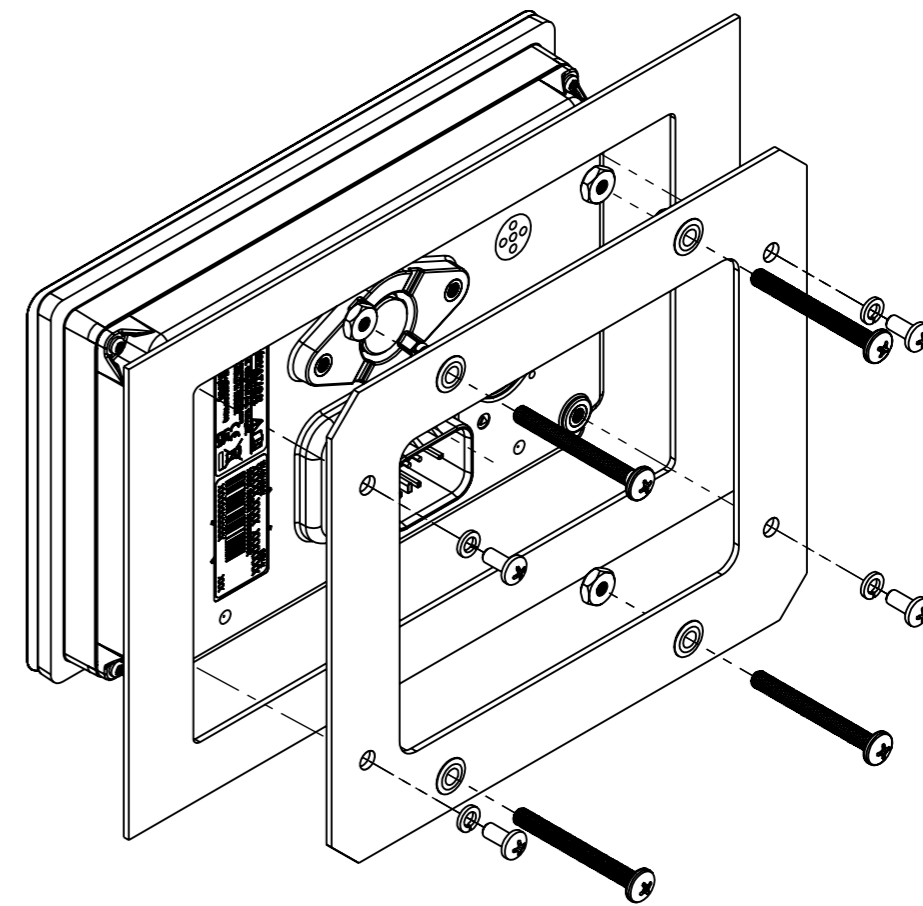
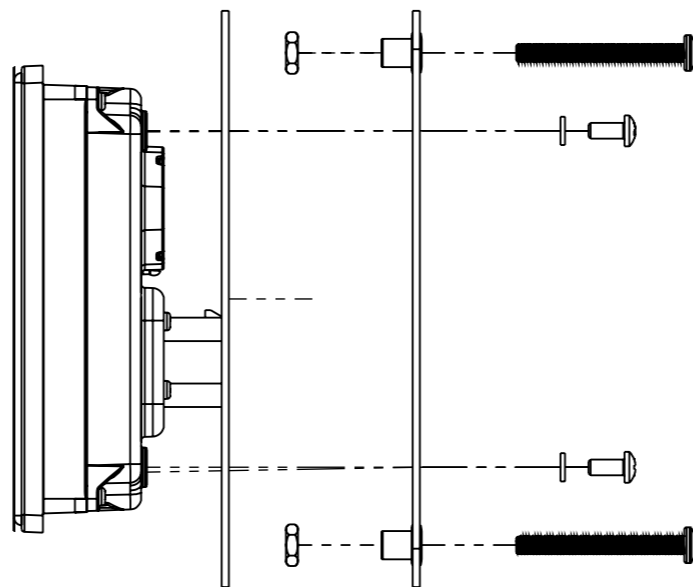
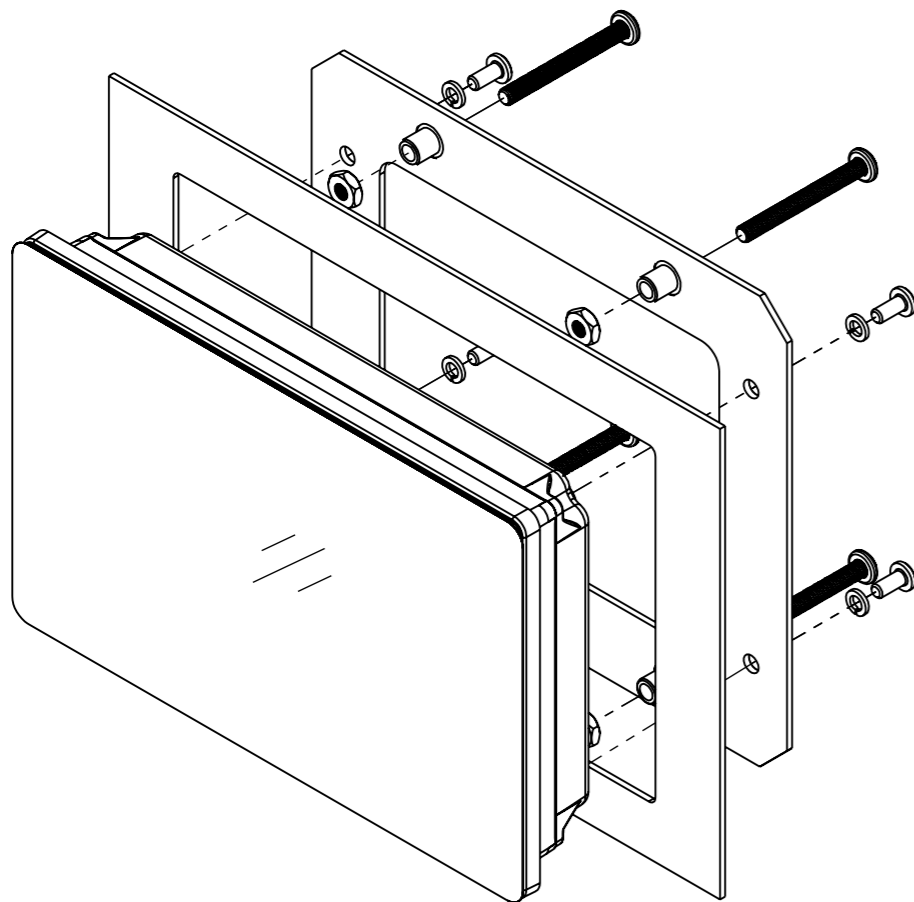
DIMENSIONING AND TOLERANCING PER ASME Y14.5 - 2009 APPLY. UNLESS OTHERWISE SPECIFIED Tolerances Inch: .X ± .1, .XX ± .03, .XXX ± .010 Tolerances Metric: X ± .2, X ± .7, .XX ± .25 ANGLES ± 2° $\sqrt{125}$		SHALL MEET REQUIREMENTS OF ENC 4E00711 ENVIRONMENTAL COMPLIANCE SPECIFICATION PRODUCE PART FROM CAD MODEL 78051601.SLDASM	INCH DO NOT SCALE DRAWING 	
MATERIAL: - FINISH: -		DESCRIPTION: KIT, MOUNTING S70 DISPLAY S70 DISPLAY		
PART NUMBER: 78-00-1601 CAD FILE: 78051601.SLDASM		DRAWING NUMBER: 78-05-1601 SCALE: 3:4 AND NOTED SHEET SIZE: A3 SHEET: 1 OF 2		REVISION: A

INSTALLATION VIEWS
(FOR REFERENCE ONLY)



PANEL FOR REFERENCE ONLY

S70 DISPLAY FOR REFERENCE ONLY



DESCRIPTION				REVISION	
KIT, MOUNTING S70 DISPLAY				A	
PART NUMBER		DRAWING NUMBER		SHEET SIZE	
78-00-1601		78-05-1601		A3	
CAD FILE		SCALE		SHEET	
78051601.SLDASM		1:2 AND NOTED		2 OF 2	