



PowerView[®]



Model PV380 R3 Installation Manual

Web View Only

*Products covered in this document comply with European Council electromagnetic compatibility directive 2004/108/EC and electrical safety directive 2006/95/EC.

In order to consistently bring you the highest quality, full-featured products, we reserve the right to change our specifications and designs at any time. The latest version of this manual can be found at support.enovationcontrols.com, then search for PV380 R3.

Warranty - A limited warranty on materials and workmanship is given with this Murphy product. A copy of the warranty may be viewed or printed by going to enovationcontrols.com/warranty

Table of Contents

Hardware Installation	3
Inspecting Package Contents	3
Dash-Mounted Installation	3
Dimensions	4
Wiring Information	5
Pin Specifications for PV380.....	5
Wiring Diagram for PV380	6
PV380 Features and Operations	7

Hardware Installation

The following instructions will guide you through installing the PowerView® PV380 R3 display.

Inspecting Package Contents

Before attempting to install the product, it is recommended that you ensure all parts are accounted for and inspect each item for damage (which sometimes occurs during shipping). The items included in the box are:

- PV380 R3 display
- Dash gasket
- Read First Insert with QR codes to Online versions of this document (P/N 00-02-1222)

The PV380 R3 Operations Manual can be found online at:

support.EnovationControls.com

Then search for PV380 R3.

Dash-Mounted Installation

Tools needed

- Jig saw or
- 3.5" Hole saw or
- 3.5" knockout (chassis) punch

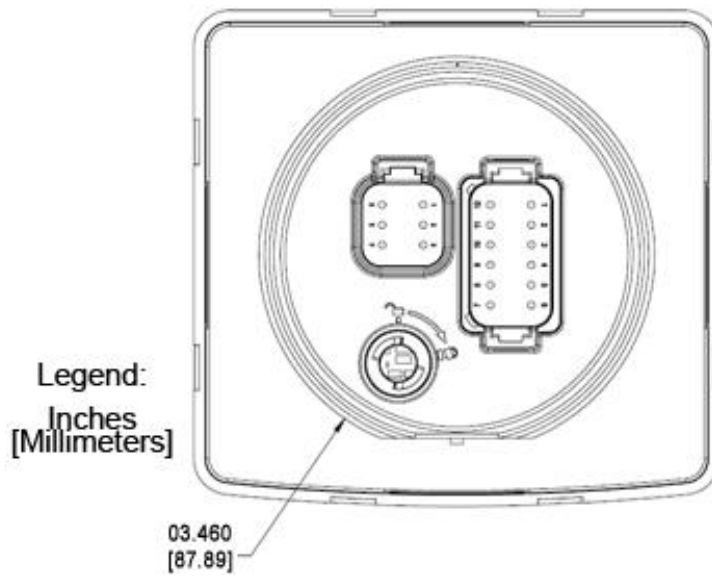
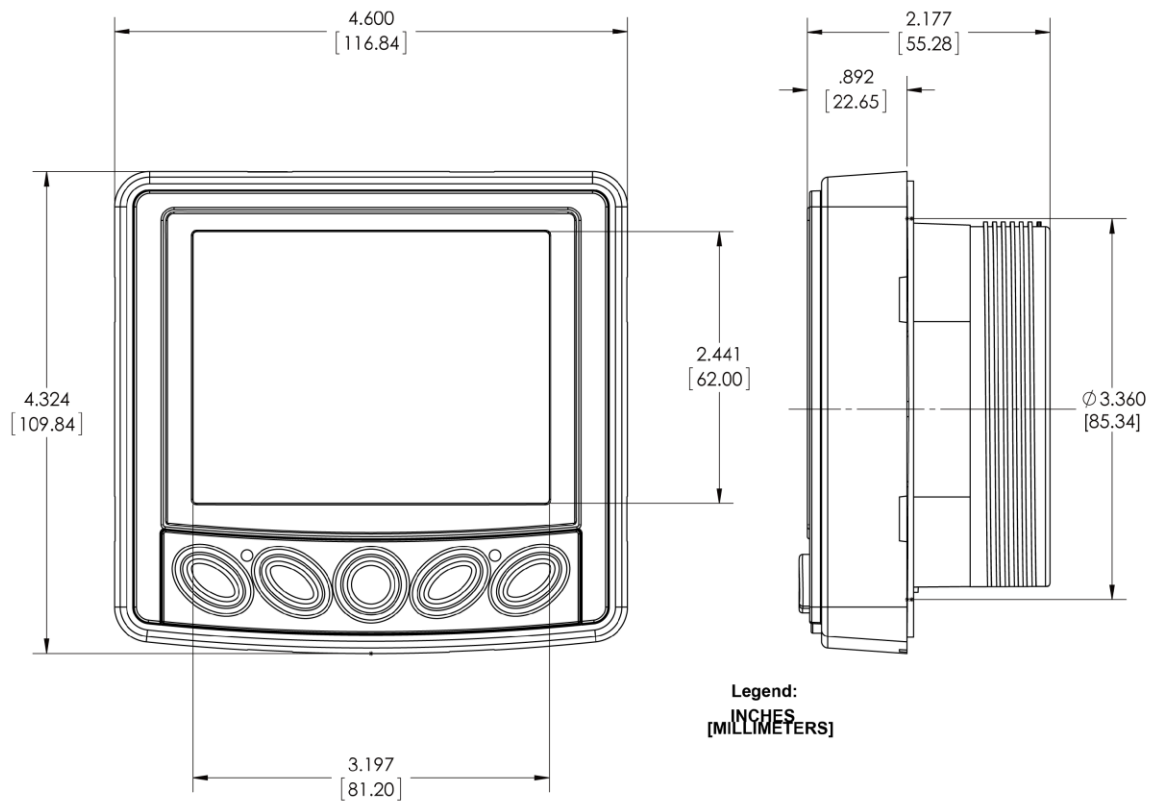
Preparing the Dash

Determine the location of the PowerView in the dash. Refer to the Mounting Hole Options sheet at the end of this document for the appropriate opening sizes.

Mounting the Unit

1. Place the dash gasket over the prepared dash opening.
2. Place the back side of the display through the opening in the dash.
3. Push the unit through the opening until the case is flush.
4. Place the screw-on type mounting clamp behind the dash and install on the unit until it is hand tight.

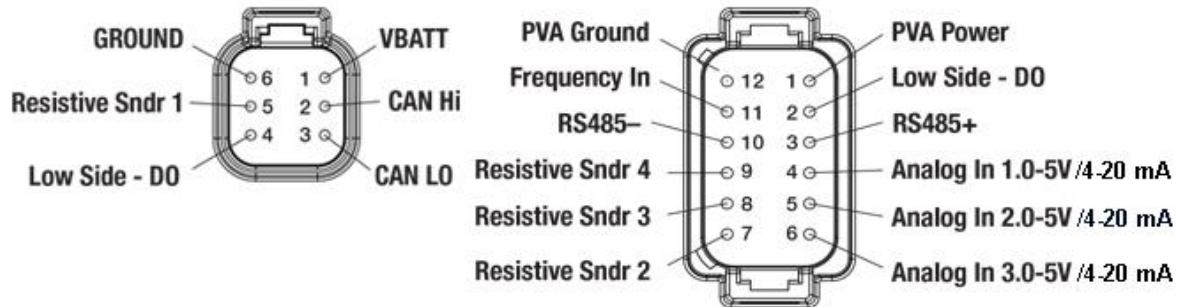
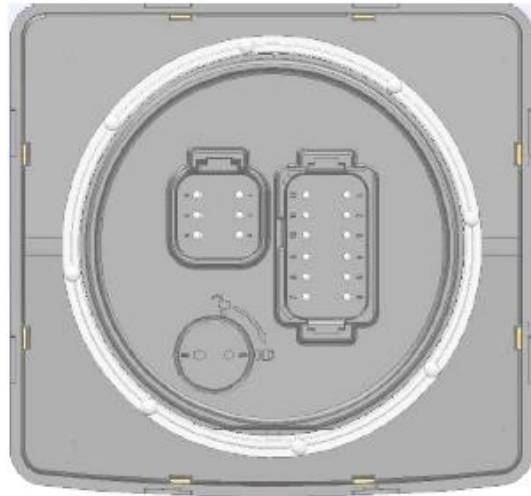
Dimensions



Wiring Information

Pin Specifications for PV380

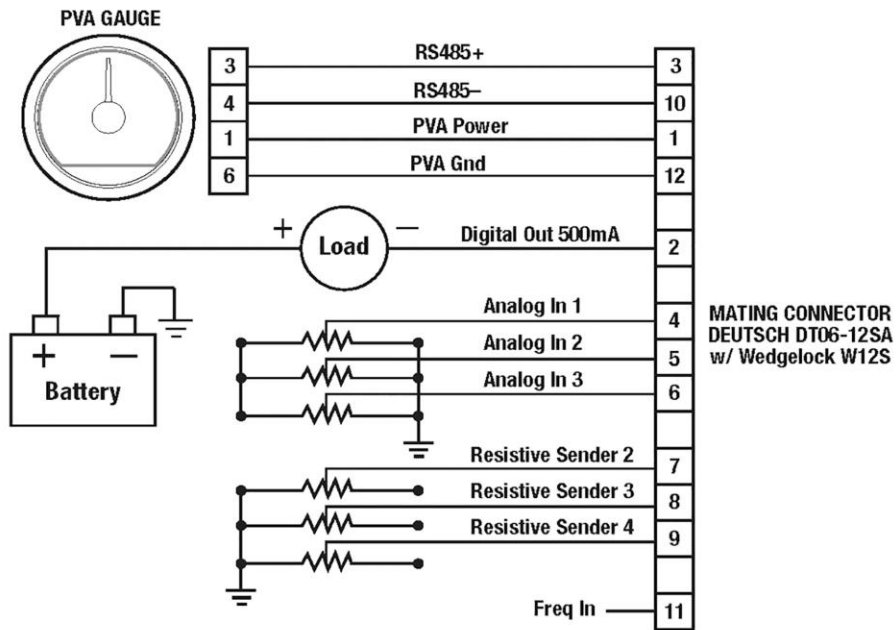
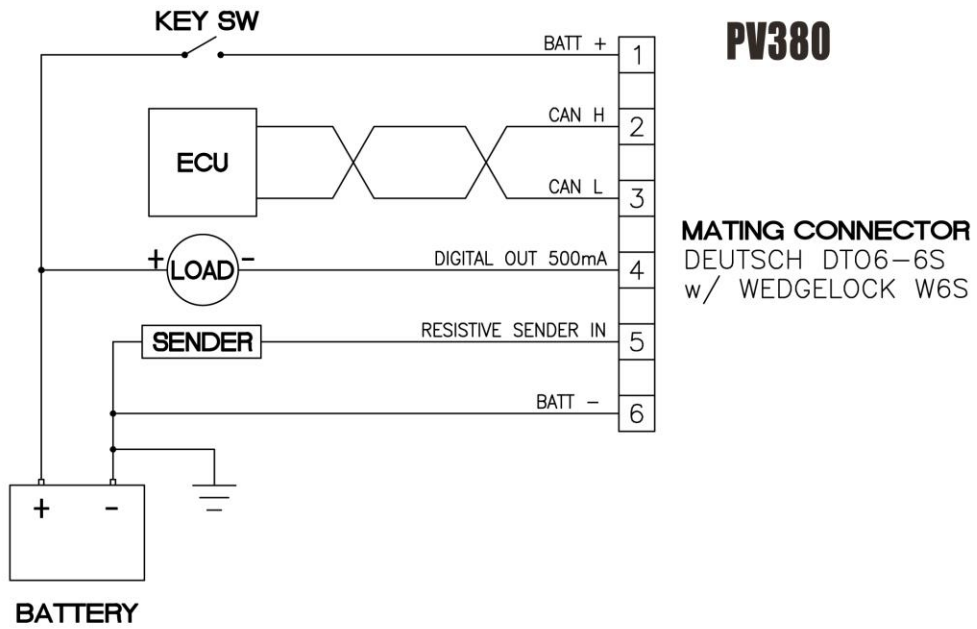
PV380 Connector Pin Outs (Back View)



PV380 Mating Connector Part Numbers:

- Deutsch DT06-12SA plug housing
- Deutsch DT06-6S plug housing
- W6S and W12S wedge locks
- Deutsch 0462-201-16141 contact (socket)

Wiring Diagram for PV380



PV380 Features and Operations



Flat Screen Display

A 3.8" QVGA monochrome LCD screen displays gauges, soft key commands and fault messages as well as menu options for setup and configuration.

Soft Keys and Commands

The five tactile push buttons on the bottom of the display correspond to the options available for the screen being displayed.

Alarms

Red and amber warning LEDs; set point triggered output for external piezo buzzer or shut-down relay.

Operations Manual

The PV380 Murphy Standard Configuration Operation manuals can be found at support.EnovationControls.com

Then search for PV380 R3.

Specifications

Electrical

Display	3.8" monochrome LCD
Resolution	QVGA, 320 x 240 pixels
Orientation	Landscape
Backlighting	LED, white
Flash Memory	2Mb
RAM	256kb
Operating Voltage	6 - 36 VDC, protected against reverse polarity and load-dump
Power Consumption	10 W max
Communications	(1) CAN 2.0B (1) RS485 serial (Modbus)
Protocols	J1939, FreeForm CAN
Connection	PV380: 6 pin and 12 pin Deutsch DT series connectors
Keyboard	5 tactile buttons
Inputs	(4) resistive analog (3) analog, 0-5V / 4-20 mA (1) frequency, 20-10,000 Hz, 3.6-120 VAC
Output	PV380: (2) 500 mA; switched low-side

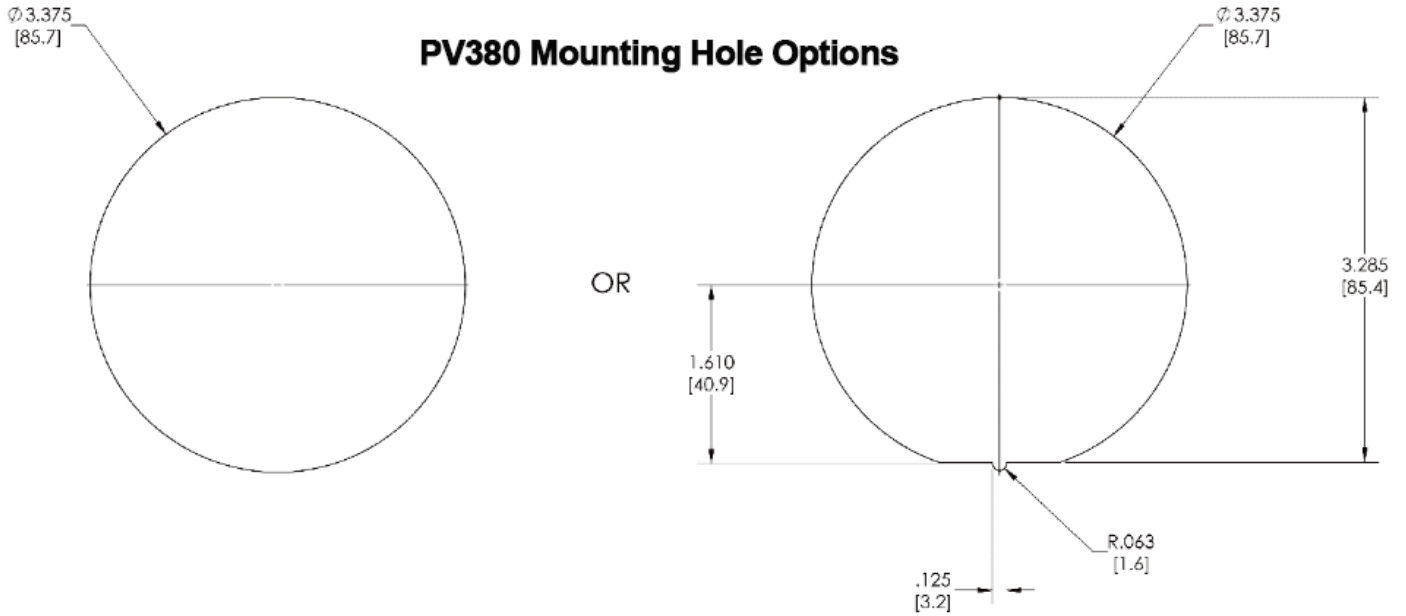
Environmental

Operating Temperature	-40° C to +85° C
Storage Temperature	-40° C to +85° C
Protection	IP67, front and back, IP66 panel seal
Standards Compliance	Electrical Safety: 2006/95/EC Electromagnetic Compatibility: <ul style="list-style-type: none">• 2004/108/EC:<ul style="list-style-type: none">• EN 61000-6-4:2001 (emission)• EN 61000-6-2:2001 (immunity)• EN 50121-3-2 and EN 12895• SAE J1113/2, 4, 11, 12, 21, 24, 26 and 41
Vibration	Random vibration, 7.86 Grms (5-2000 Hz), 3 axes
Shock	+/- 50G in 3 axes

Mechanical

Case Material	PC/ABS
---------------	--------

Mounting Hole Options



ENOVATION CONTROLS CORPORATE HEADQUARTERS

5311 S 122ND EAST AVENUE
TULSA, OK 74146

ENOVATION CONTROLS LTD. – UNITED KINGDOM

CHURCH ROAD LAVERSTOCK
SALISBURY SP1 1QZ UK

SUN MURPHY INTERNATIONAL TRADING (SHANGHAI) CO., LTD

B15 ROOM, 6# BUILDING, 351 SIZHUAN ROAD
SONGJIANG DISTRICT, SHANGHAI 201601, CHINA

ENOVATION CONTROLS INDIA PVT. LTD.

PLOT NO. 146, SECTOR 10, PCNTDA
BHOSARI, PIMPRI CHINCHWAD
PUNE - 411026
MAHARASHTRA, INDIA

U.S. SALES & SUPPORT

PHONE: 918 317 4100
EMAIL: SALES@ENOVATIONCONTROLS.COM
WWW.ENOVATIONCONTROLS.COM

Contact Us:



INTERNATIONAL SALES & SUPPORT

EUROPE, MIDDLE EAST, AFRICA

PHONE: +44 1722 410055
EMAIL: EMEASALES@ENOVATIONCONTROLS.COM

CHINA

PHONE: +86 21 6237 5885
EMAIL: APACSALES@ENOVATIONCONTROLS.COM

INDIA

PHONE: +91 91581 37633
EMAIL: INDIASALES@ENOVATIONCONTROLS.COM



FM 28221 (Tulsa, OK - USA)
FM 29422 (UK)



1022QAP07 (India)