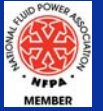




High Country Tek, Inc.

DC Voltage Converter - PC24/5

Electronic Control Solutions for the Global Fluid Power Industry



Application Information:

- Creates useful local +5VDC supply where needed
- Efficiently converts higher mobile DC supply voltage to +5VDC
- Diagnostic LED's for Vin and Vout
- Simple, reliable 3 wire connection
- Small size allows internal incorporation into joysticks etc.
- Completely waterproof unit (NEMA 6P / IP68)

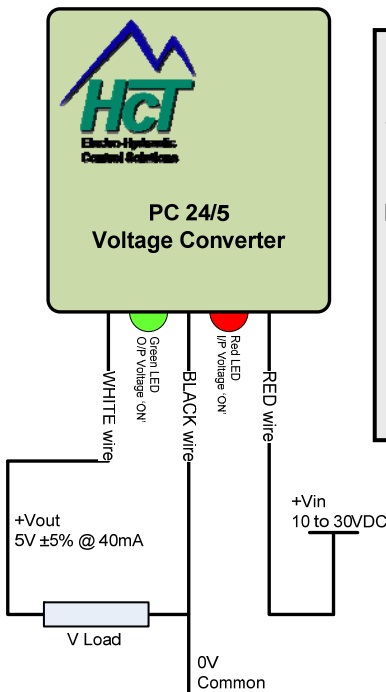
Product Feature Overview:

- Designed for 100% duty cycle usage
- Simple, easy and quick to apply
- Used with mobile or industrial systems and peripherals
- Wide input voltage range :- 10 to 30VDC
- Electrically protected for reverse polarity and transients
- Output voltage is short circuit proof
- Output current limited to 40mA
- Color coded connection wires.
- Robust, flame resistant encapsulated construction



Order P/No: 999-10074

Electrical Connection Diagram:



IMPORTANT NOTE:

The user should be aware that the PC24/5 has a common 0V connection between input voltage and output voltage.

This device DOES NOT provide galvanic isolation between Input and Output.

Converter Specification Overview:

Housing Type:	HCT unique 'encapsulated' block.
Input Supply Voltage:	10 – 30VDC (Absolute Maximum)
Input protection:	Reverse polarity Transient up to 1.5Kw Pk pulse Pwr
Output Voltage:	+5V (±5%) or ± 250mV)
Output Protection:	Short circuit protected (continuous)
Input Supply Current:	50mA Quiescent (Max)
Output Current:	~40mA
Housing Material:	Green, polycarbonate
Wire Connections:	Red = +Vin Black = 0V Common White = +5VDC O/P
Encapsulation:	Flameproof epoxy resin
Mounting:	Local to +5VDC requirement
Temperature range:	- 40 to +85 °C (operational)
NEMA/IP Rating:	NEMA 6P/68 (Unit only) derate for connections as required.



DC Voltage Converter - PC24/5

Ordering Guide:

Order P/No: 999-10074

To make certain we offer you the best product for your application, please contact our sales and customer support department at **High Country Tek, Inc.** in California to discuss your project.

Due to time zones, we recommend you use the E-mail address to guarantee a timely response or if you prefer, use the office numbers given below.

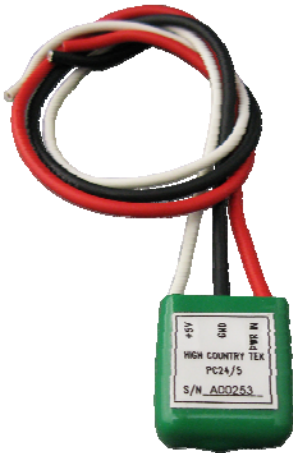
Either way, our experienced customer service personal will be glad to work with you on your order

Connection Details:

Connection to the PC 24/5 are made by the user via 16 gauge color coded wires.

The factory sets these to 12 inches in length and these may be freely cut by the user to suit the application.

Care should always be taken by the user to avoid short circuits in system wiring.

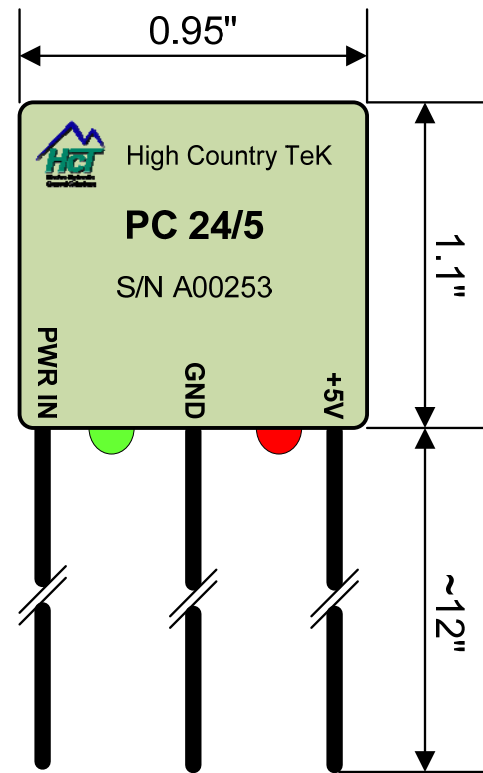


This is a DC device and care should also be taken regarding strong radio frequency signals and placement of this unit near high voltage or switching signals that may effect the performance.

If you are in doubt over the application of the PC24/5, please contact your distributor or HCT applications personal for advice.

The diagnostic indicator LED's are non critical to function of the converter and the unit will continue to function if these LEDS are damaged or broken.

Dimensional Data:



RED = Power Input
BLACK = 0V GND
WHITE = +5VDC Output

NOT TO SCALE

All dimensions in inches

Order P/No: 999-10074

Need More Information ?

To place an order or discuss your needs further, please contact HCT customer service through E-mail at:

info@hctcontrols.com

www.hctcontrols.com



A SUN Hydraulics Company



High Country Tek, Inc.

208 Gold Flat Court

Nevada City, CA, 95959

Tel: (1) 530 265 3236

Fax: (1) 530 265 3275